

## Features



- Fanless design
- 17" Panel PC
- Intel Atom D525 1.8GHz Processor
- Intel ICH8M Chipset
- 1 x 204 Pin SO-DIMM DDR3, up to 2GB
- 1 x Slim DVD/RW 8 x space



## Specifications



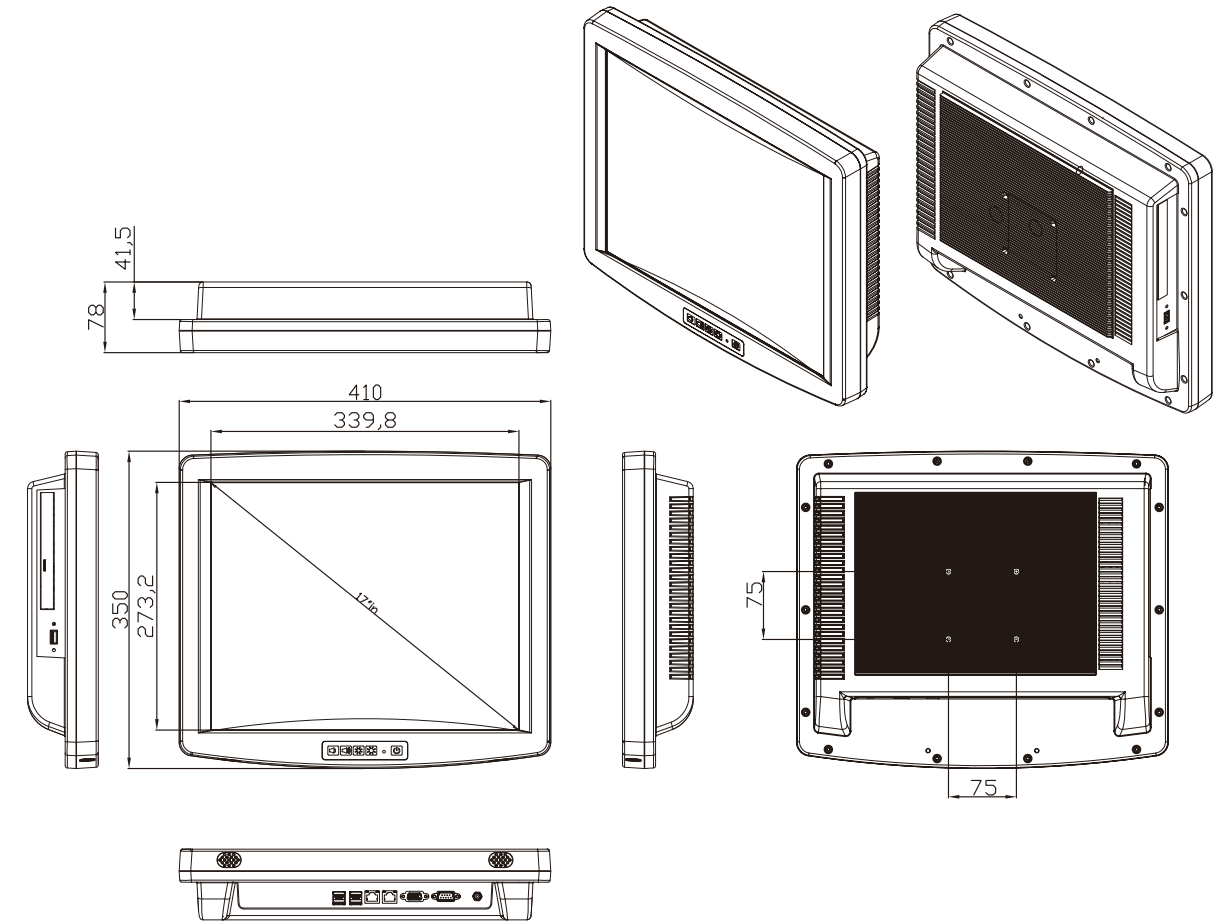
System	
Processor	Intel Atom D525 1.8GHz processor
System Memory	1 x 204 Pin SO-DIMM DDR3, up to 2GB
System Chipset	Intel ICH8M
Outside I/O port	1 x COM port 1 x VGA 2 x GbE LAN connectors 4 x USB connectors 1 x USB on the left 1 x 12V power (with lockable connector)
Storage	1 x 2.5 SATA HDD space
CD/DVD-R Device	1 x SATA slim DVD/RW 8x space
OS Support	Windows XP, XP Embedded, Windows Embedded Standard 7
Membrane Control	Front OSD / 5 Function Key Brightness up/down Audio Volume up/down System Power on/off
Speaker	2 x 2W speaker

LCD	
Display Type	17" Color TFT LCD
Max. Resolution	1280x1024
Max. Color	16.7M
Luminance (cd/m <sup>2</sup> )	550
View Angle	H:170° / V:160°
Backlight Lifetime	50,000hrs

Touch Screen (Option)	
Type	Resistive touch screen
Light Transmission	80%

Power Supply	
Power Input	12V DC

## Dimension



Mechanical	
Construction	Plastic front panel and housing
IP Rating	Front Panel IP65
Mounting	VESA Mount 100x100
Dimension	410(W)x350(H)x78(D)mm

Environmental	
Operating Temperature	0~50°C
Storage Temperature	-20~60 °C
Storage Humidity	10~90% @40 °C, non-condensing
Certificate	CE/FCC Class B