

M101WK

10.1" Rugged Tablet PC with Intel® Core™ i5-8265U



KEY FEATURES

- Intel® Core™ i5-8265U Whiskey Lake processor Rugged Tablet PC
- 10.1" 1920 x 1200 IPS LED Panel with direct optical bonding
- Sunlight readable with anti-glare solution
- Hot-swappable battery design
- IP65 waterproof and dustproof, MIL-STD-810G shock, vibration and drop resistance



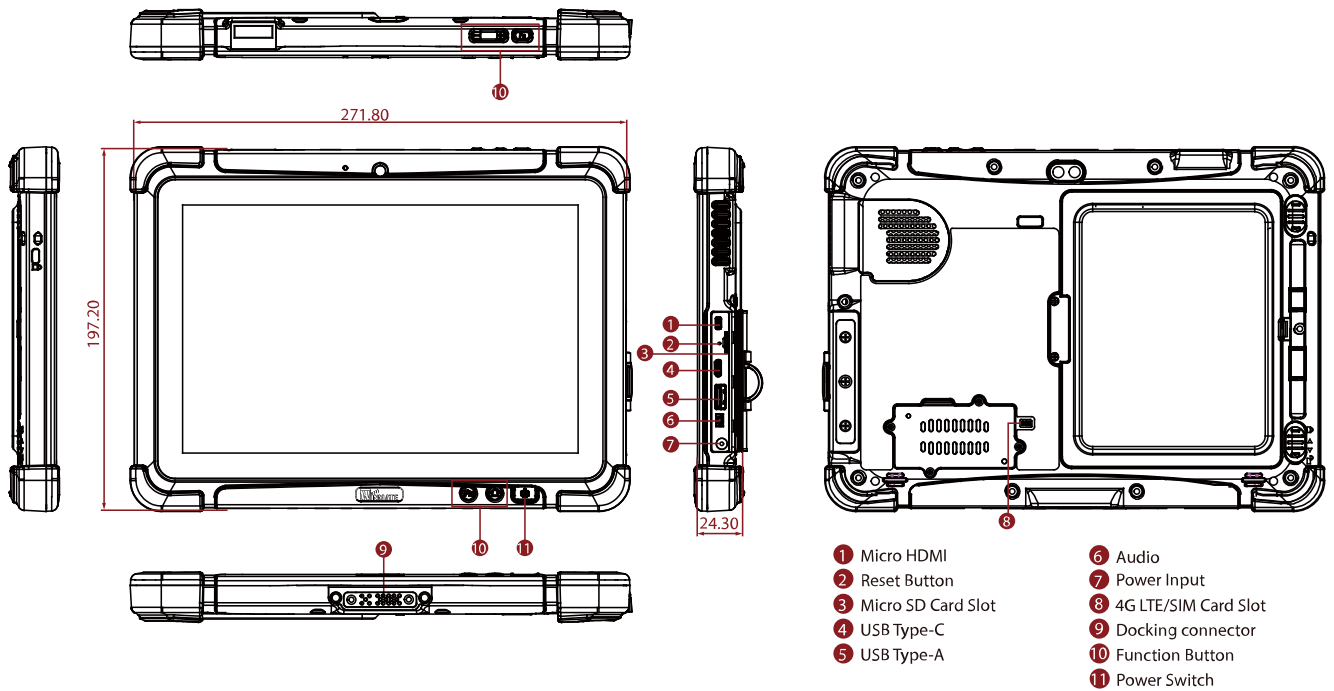
SPECIFICATIONS

Display			
Resolution	1920x1200	Size	10.1 inches
Contrast Ratio	800:1	Panel Brightness	800 nits
View Angles	85,85,85,85	Type	Projected Capacitive Multi Touch
Viewability	Anti-Glare touch treatment	Bonding	Optical Bonding for Sunlight Viewability
System Specification			
Processor	Intel® Core™ i5-8265U, 1.60 GHz (up to 3.90 GHz)	Memory	4GB DDR4 SDRAM 8GB DDR4 SDRAM (Optional) 16GB DDR4 SDRAM (Optional)
Storage	128GB SSD Additional storage available with micro SDXC card slot 256GB SSD (Optional) 512GB SSD (Optional) 1TB SSD (Optional)	Security	Trusted Platform Module (TPM) 2.0 Kensington Lock
Operating System	Windows 10 IoT Enterprise (64 bit)	WLAN	Support
BT	Support	WWAN	4G LTE (Optional)
GNSS	GPS, GLONASS	RFID	HF RFID 13.56 MHz reader (Optional)
Sensors	Light sensor/ g-sensor / Gyro		
Camera			
Front Camera	2MP Front Camera	Rear Camera	8MP Rear Camera with auto-focus and LED light
Mechanical			
Dimension	271.8 x 197.2 x 21 mm (10.7 x 7.76 x 0.83 inches)	Weight	1.25 kg (2.75 lbs) with standard battery
Cooling System	Fan design		
IO Ports			
USB Port	1 x USB 3.0 (Type A), 1 x USB 3.0 (Type C)	SD Card Slot	1 x Micro SDXC slot
SIM Card Slot	1 x Micro SIM card slot	Video	1 x Micro HDMI (Optional)
Audio	1 x Audio combo 3.5mm audio combo jack Dual Digital Mic With Noise Cancellation Dual Speaker	Indicator	4x LED Indicator for Power, Battery, HDD, RF status
Docking Connector	1 x 19-pin docking connector		
Environment			
Operating Humidity	10% to 90% RH, non-condensing	Operating	-20°C to 60°C (AC mode), -10°C to 50°C (Battery)

Storage Temperature	-30°C to 70°C (-22°F to 158°F)	Temperature	mode)
Vibration	MIL-STD-810G Method 514.6 Procedure I	Shock	MIL-STD-810G Method 516.6 Procedure I
Drop	MIL-STD-810G Method 516.6, 4 ft	IP rating	IP65 certified, dustproof and waterproof
Certification			
Certification	CE, FCC		
Security Function			
SOTI MobiControl	SOTI MobiControl Compliance	Kensington Lock	Kensington Lock Support
Control			
Button	1 x Power, 1 x Home 2 x volume key 2 x Programmable function Keys		
Power			
Battery	Hot-swappable 10.8V, typ. 4700 mAh Li-Polymer Battery (3S2P)	Battery Operating Time	Standard. Battery: 8 hours
Power Rating	19V DC	Adapter	100-240V, 50-60Hz / 19V DC
Accessory			
Accessory	Adapter and Power Cord Capacitive Stylus Standard Battery	Optional Accessory	Desk Dock (Optional) Vehicle Dock (without VGA output) (Optional) Vehicle Cradle (Optional) Vehicle Charger (Optional) Battery Charger (Optional) Hand Strap (Optional) Shoulder Strap (Optional) Carry Bag (Optional) VESA Mount Kit (Optional)
Barcode Scanner			
Barcode Scanner	1D/2D barcode reader (Optional)		

DIMENSIONS UNIT:MM

Winmate 10.1" Rugged Tablet PC M101WK



NOTE

1. Total usable memory will be less dependent upon actual system configuration.
2. The USB Type-C connector follows USB 3.0 standard, which does not support Alternate Mode (ALT) or USB Power Delivery (USB-PD).
3. Add-on modules require the expansion port option to be usable.
4. TPM 2.0 available upon request.
5. SOTI is available upon request.
6. Measured at dimming LCD brightness. Varies depending on the usage conditions, or when an external device is attached.
7. Length measurements do not include protrusions. Weight varies with options and active pen.
8. The drop test with a high-capacity battery must come with a hand strap.
9. Accessories and Integrated Options may vary depending on your configuration.
10. This is a simplified drawing and some components are not marked in detail.
11. The product shown in this datasheet is a standard model. For diagrams that contain customized or optional I/O, please contact the Winmate Sales Team for more information.