

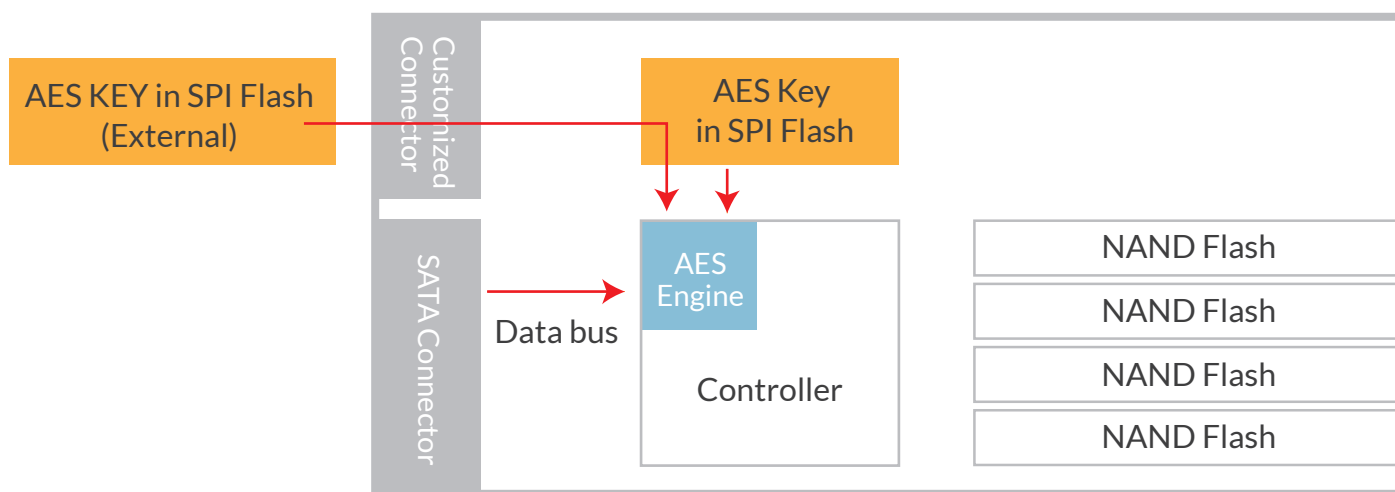
External Encryption Key SSD Solution

The Innodisk External Encryption Key concept moves the unique AES Key of each SSD onto an external device. Only with this external device connected can data from the SSD be decrypted and accessed by the user. This additional layer of protection makes the Innodisk External Encryption Key solution your ultimate protector of sensitive data.

Features



AES Key



Specifications

Model	3TG6-P 2.5" SATA SSD
Interface	SATA III 6.0 Gb/s
Capacity	128GB ~ 2TB
Performance (Max)	Read: 560 MB/s, Write: 525 MB/s
Flash Type	3D TLC
Dimension (mm)	69.8 × 100.0 × 9.2

Headquarters

Innodisk Corporation
 5F., No.237, Sec. 1, Datong Rd., Xizhi Dist., New Taipei City 221, Taiwan (R.O.C.)
 TEL : +886-2-7703-3000 FAX : +886-2-7703-3555
 E-mail : sales@innodisk.com