



DIGITAL SIGNAGE PLAYERS

2021-2022 Edition

Table of Contents

About IBASE	3-4
Your Best Partner	5
IBASE Sole Technologies	6-7
Digital Signage Applications	8-9
Strategic Software Partners	10
Signage Player Selection Guide	11
Comparison Table	12-18

Extreme Performance Video Wall Players

NEW SI-624	10th Gen Intel® Xeon® W / Core™ Processor Video Wall Player with MXM NVIDIA Graphics and Four DP	19
SI-62S	9th Gen Intel® Core™ Desktop Processor Video Wall Player with 1x PCI-E (x16) or 2x PCI-E (x8) Slots	20
NEW SP-63E/ER	8th Gen Intel® Core™ Desktop Processor Video Wall Player with MXM Graphics up to Sixteen HDMI	21
SI-626	7th/6th Gen Intel® Core™ Mobile Processor Video Wall Player with AMD Radeon™ E8860 Graphics and Six HDMI	22
SI-614	7th/6th Gen Intel® Core™ Desktop Processor Video Wall Player with MXM NVIDIA Graphics and Four DP	23
SI-30S	AMD Ryzen™ 5000/3000 Series Processor Video Wall Player with 1x PCI-E (x16) or 2x PCI-E (x8) Slots	24
SI-60E	4th Gen Intel® Core™ Desktop Processor Video Wall Player with AMD Radeon™ E8860 Graphics and Twelve HDMI	25

Mid-Range Signage Players

NEW SI-654	11th Gen Intel® Core™ U-Series Processor Signage Player with Intel® Integrated Graphics and Four HDMI 2.0	26
NEW SI-654-N	11th Gen Intel® Core™ U-Series Processor Fanless Signage Player with Intel® Integrated Graphics and Four HDMI 2.0	27
SI-642-N	8th Gen Intel® Core™ U-Series Processor Fanless Signage Player with Intel® UHD Graphics 620 and one HDMI & DP	28
SI-623-N	7th/6th Gen Intel® Core™ Mobile Processor Fanless Signage Player with Intel® HD Graphics 530 and Three HDMI	29
SI-613	7th/6th Gen Intel® Core™ Desktop Processor Signage Player with Intel® HD Graphics 530 and Three HDMI	30
NEW SI-334	AMD Ryzen™ Embedded V2000 Series Signage Player with AMD Vega GPU and Four HDMI	31
SI-324	AMD Ryzen™ Embedded V1000 Series Signage Player with AMD Vega GPU and Four HDMI	32
SI-324-N	AMD Ryzen™ Embedded R2000/V1605B/1202B Series Fanless Signage Player with AMD Vega GPU and Four HDMI	33
SI-323-N	AMD Ryzen™ Embedded R1000 Series Fanless Signage Player with AMD Vega GPU and Three HDMI	34

Entry-Level Signage Players

NEW SI-12-J19	Intel® Celeron® Processor J1900 Fanless Signage Player with Intel® Gen7 Graphics and Dual HDMI	35
SI-22	AMD Embedded G-Series SoC Fanless Signage Player with Dual HDMI	36

Waterproof Signage Players

NEW SW-601-N	11th Gen Intel® Core™ / Celeron® U-series Waterproof Fanless Signage Player with One HDMI	37
SW-101-N	Intel® Atom® Processor E3845 Waterproof Fanless Signage Player with One HDMI	38

Outdoor Signage Players

NEW SE-103-N	Intel® Atom® X6000/ Pentium® / Celeron® Processor Fanless Signage Player with Intel® Graphics engines and Three HDMI	39
SE-102-N	Intel® Atom® x7/x5, Pentium® & Celeron® Processor Fanless Signage Player with Dual HDMI	40
SE-92-N	5th Gen Intel® Core™ i7/i5 ULT Processor Fanless Signage Player with Dual DVI-I	41
SI-12	Intel® Atom® Processor E3845 Fanless Signage Player with Intel® Gen7 Graphics and Dual HDMI	35

OPS Signage Players

IOPS-602	7th/6th Gen Intel® Core™ U-Series Processor OPS Signage Player with Intel® HD Graphics	42
----------	--	----

All-in-One Bar-Type Signage Panel PCs

ARD-048-N	48" 8th Gen Intel® Core™ i5-8365UE All-in-One Bar-Type Fanless 4K Panel PC	43
ARD-042-N	42" Intel® Pentium® N4200 All-in-One Bar-Type Fanless Panel PC	44
ARD-037-N	37" Intel® Pentium® N4200 All-in-One Bar-Type Fanless Panel PC	45
ARD-028-NRA	27.6" Intel® Pentium® N4200 All-in-One Bar-Type Fanless Panel PC	46

About IBASE



Core Activities

Design and Manufacturing of Robust Industrial Computing Platforms



HEADQUARTERS

Taipei, Taiwan



FOUNDED

February 2000



CHAIRMAN

C. S. Lin



CAPITAL

US\$58M



EMPLOYEE

770
(Worldwide)



Stock Quote

TPEX 8050
(Since 2003)

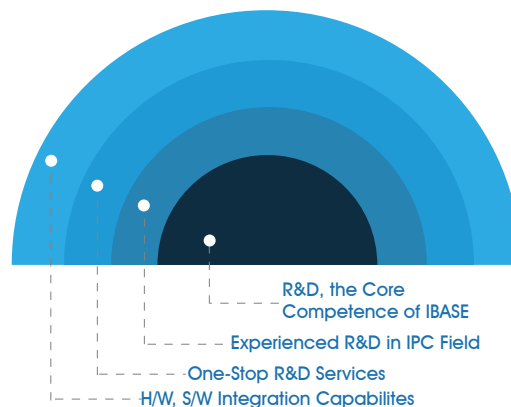
Company Profile

IBASE Technology specializes in the design and manufacture of robust industrial PC products, delivering high quality products and excellent service since its establishment in 2000. IBASE carries out manufacturing and quality control at its own facilities in Taiwan that are certified with ISO 9001, ISO 13485 and ISO 14001 standards. Current offerings comprise x86 and RISC-based industrial motherboards, embedded systems, panel PCs, network appliances and digital signage players. The company is publicly listed in the Taipei Exchange (TPEX: 8050) and is now a leading global provider of innovative industrial and embedded computing solutions.



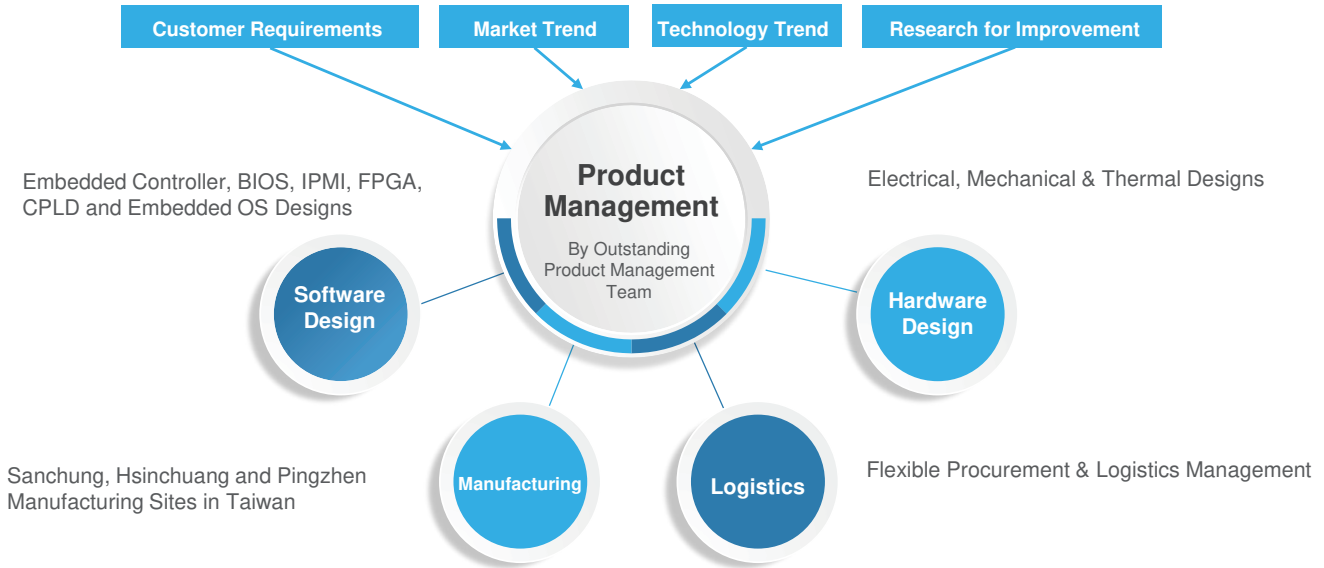
R&D Capabilities

IBASE's R&D team boasts of talented electronics, layout, system, mechanical hardware, BIOS, firmware as well as software engineers. Half of the team members are seasoned with more than 15 years of experience in their respective fields, while 45 percent carry more than five years of experience. Because of their accumulated expertise, the R&D team is able to design and create new products for the demanding and dynamic market.

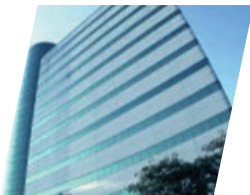


Design⁺, Manufacture⁺, Service⁺

Set up to become a global leading provider of embedded board and system solutions, IBASE manufactures and supplies cutting-edge products based on the latest technologies to match market demands. Our R&D and product management teams have the expertise to design and develop products that are innovative and meet customers' requirements and design specifications. We attach great importance to research and development, investing heavily in manpower and resources to remain competitive by staying ahead in the technology curve. IBASE is also committed to compliance with environmental policies by working to prevent pollution with non-use of banned or restricted substances in our production process and products, helping our customers respond to their environmental challenges.



IBASE Manufacturing Sites



3,140 m² / 950 Ping

SANCHUNG

- Board Production
- Validation



6,070 m² / 1,840 Ping

HSINCHUANG

- System Assembly
- Validation



15,700 m² / 4,750 Ping

PINGZHEN

- Board Production
- System Assembly
- Validation

Total Size

268,350 Square-feet
(24,910 m² / 7,540 Ping)

Design & Manufacturing
in Taiwan

Capacity

- SMT Line x 3
- DIP Assembly Line x 2
- System Assembly Line x 10
- Cleanroom x 1
- Burn-in Room x 13
(4 hours per cycle)

PCBA
40K/month (In-house Production) + Outsourcing
System Assembly
10K/month (In-house Production) + Outsourcing

Certifications

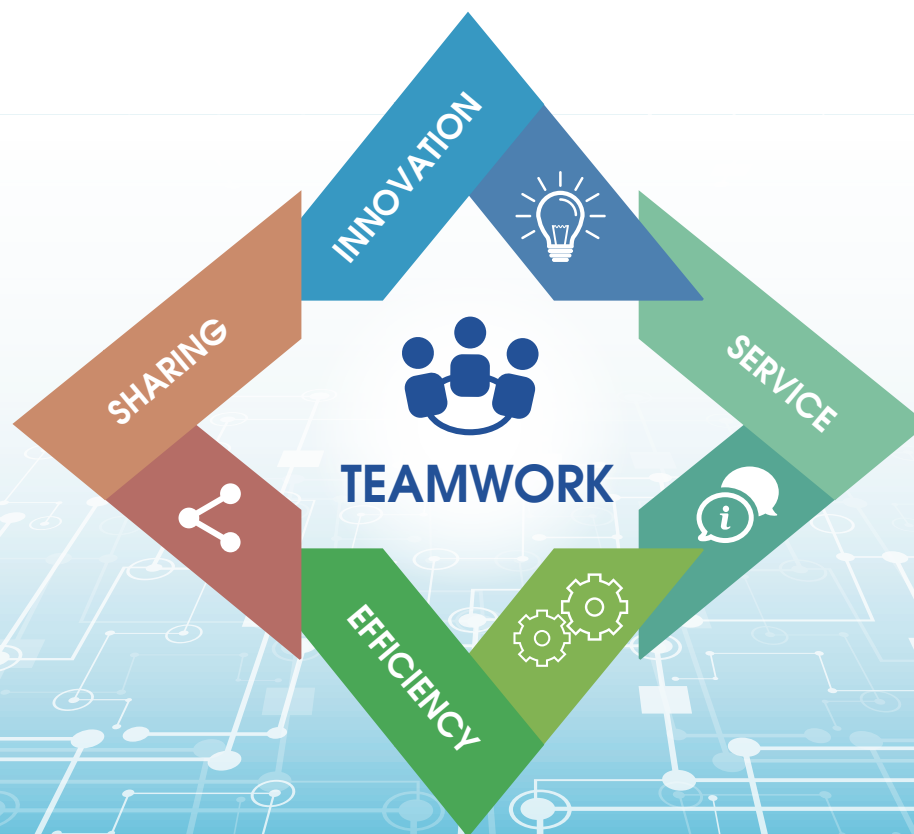


Your Best Partner

IBASE is committed to the production of high-quality products, and to the rendering of excellent services. IBASE has a full range of digital signage system products catering vertical markets including retail, hospitality, banking and education etc. Depending on their requirements, customers can choose models based on performance, number of displays, resolution and ventilation designs.

Aside from standard products, IBASE offers ODM (Original Design Manufacturer) and JDM (Joint Design Manufacturer) services, as well as customized products and solutions. With our highly-qualified expert engineers, IBASE tailor board-level and system designs for customers' application-specific needs, ensuring high quality, reliability and longevity.

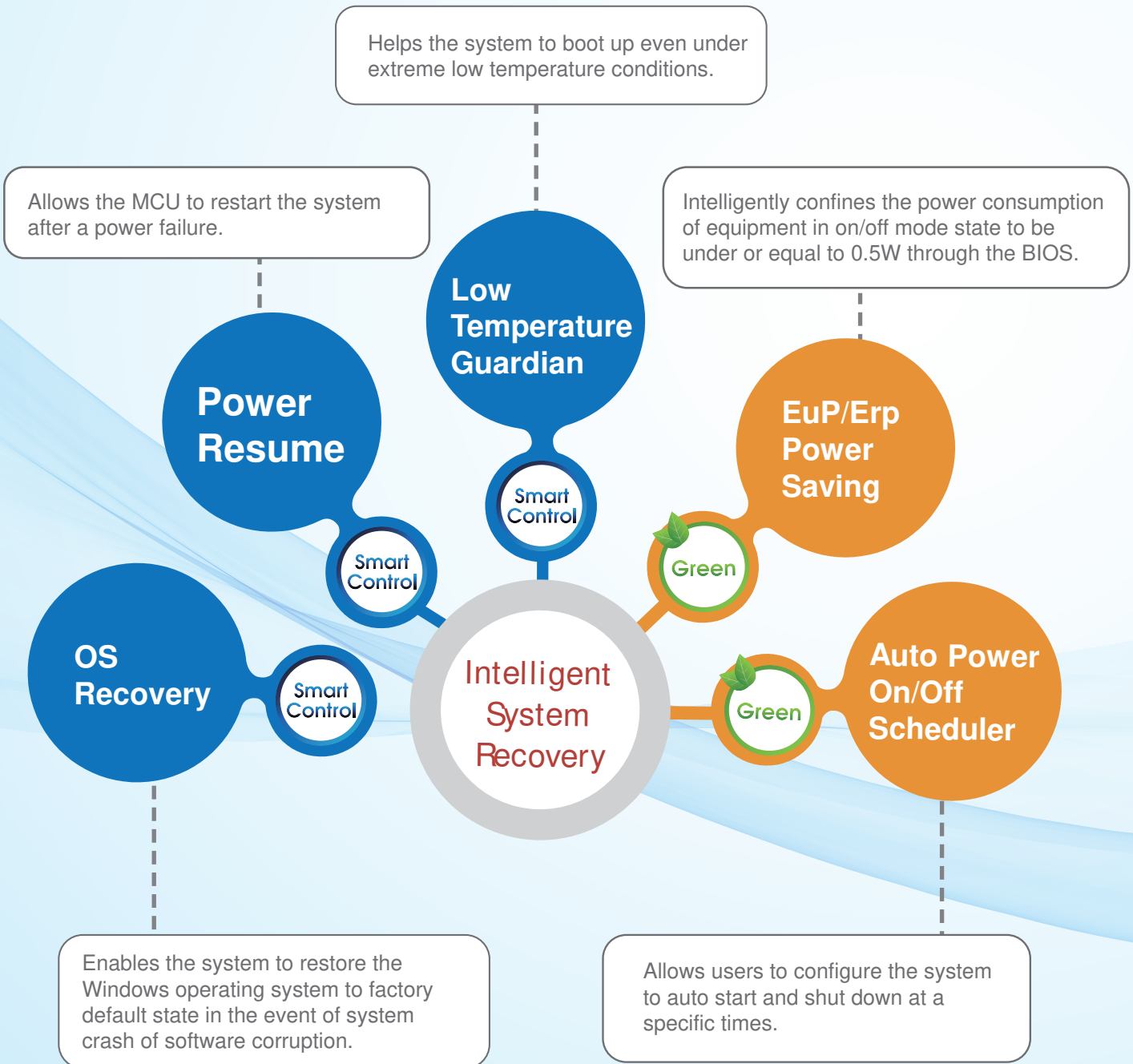
IBASE has partnered with mainstream processor vendors such as Intel, AMD and NXP in product development to create embedded computing solutions with unprecedented levels of performance. IBASE has built its reputation through dedication to serving clients with well-designed products and solutions. To this day, IBASE continues to foster an unbreakable relationship with both its customers and technology vendors, working hand-in-hand to form a lasting win-win partnership.



iSMART

Intelligent Energy-Saving Technology

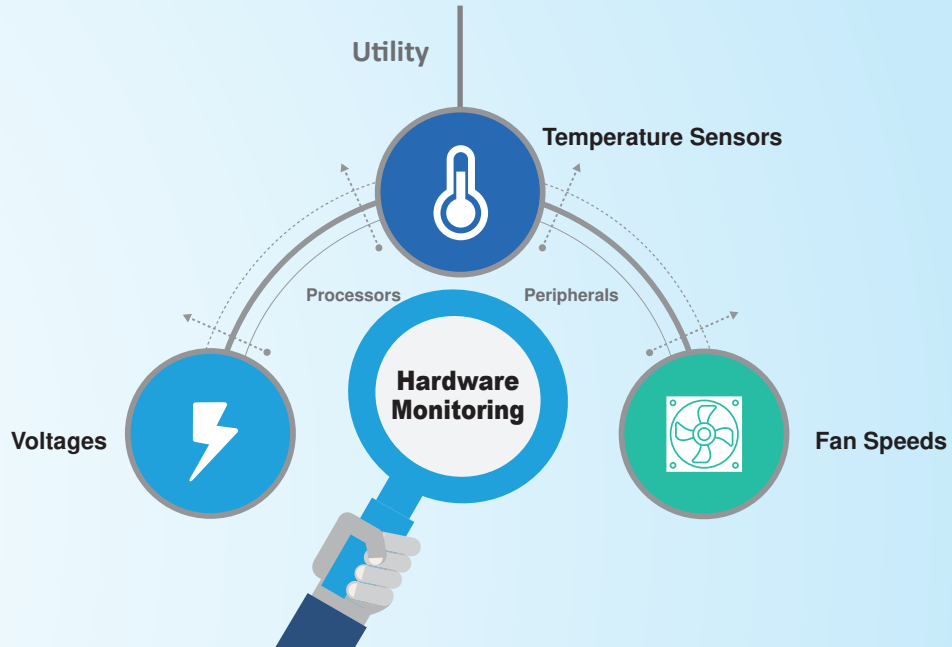
An intelligent energy-saving technology providing automatic power on/off scheduling to protect systems and make them use power more efficiently.



Observer

Remote Monitoring Technology

A hardware remote monitoring utility used for monitoring voltages, temperature sensors and fan speeds remotely.



iCONTROL

Intelligent Control Technology

An intelligent control technology featuring, hardware EDID emulation and display status monitoring and HDMI-CEC function

HDMI-CEC
Function

Hardware EDID
Emulation

Display Status
Monitoring



The hardware EDID (extended display identification data) emulation function prevents screen convergence issues due to cable disconnections, and erroneous hardware settings or digital playback software settings.

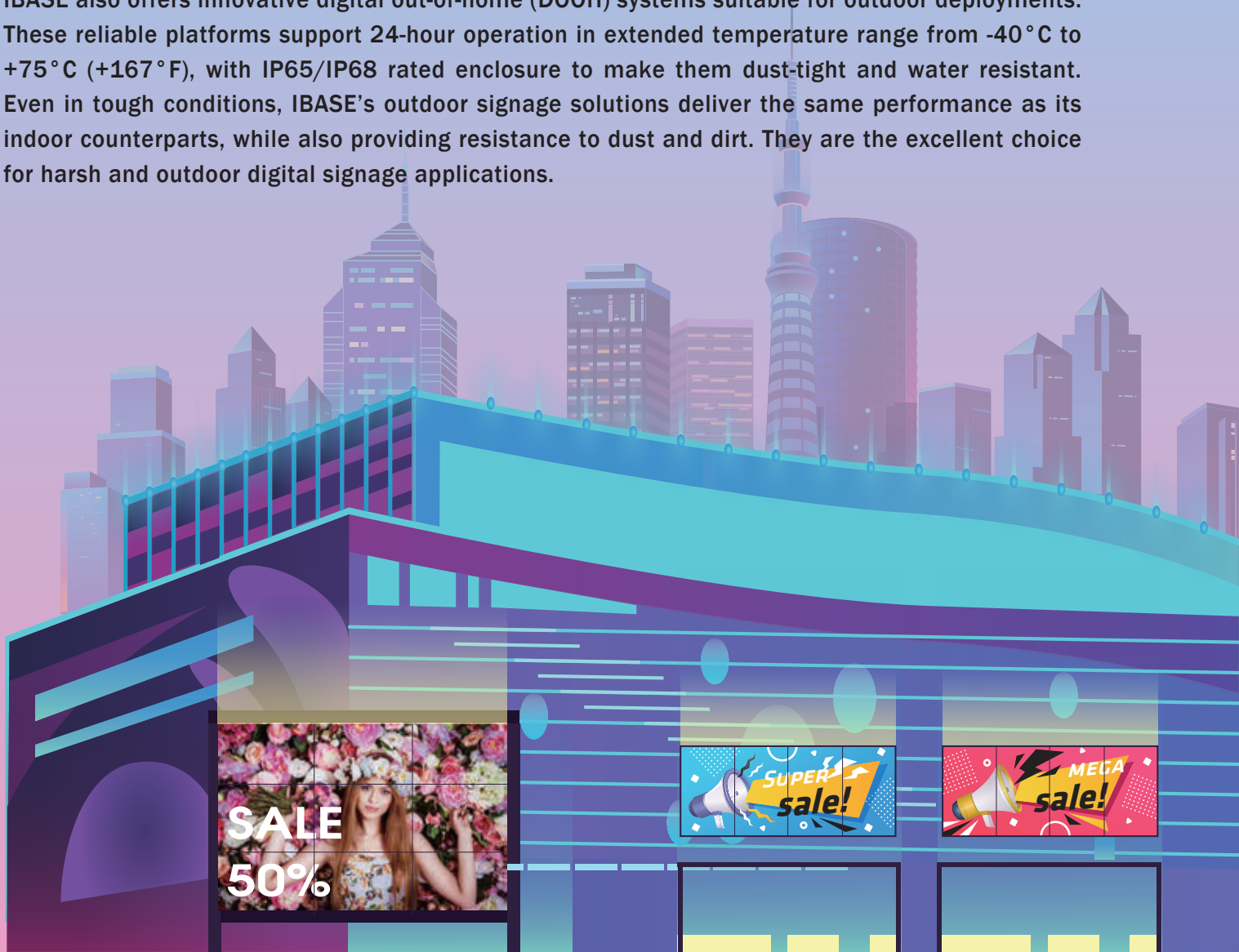
Digital Signage Applications

High Quality Signage Players that Cater to Your Needs

IBASE supplies a comprehensive range of digital signage media player products designed for single and multiple large displays and ideal for a variety of applications and venues such as restaurants, retail stores, banks, airports and shopping malls to convey dynamic information and targeted promotions.

We provide entry, mid-range to extreme performance digital signage players to enhance customer experience. These machines project sophisticated displays in UHD/4K single screens or multiple video walls, using advanced remote management to refresh content and increase uptime while lowering costs. We offer high quality high-definition (HD) and 4K/8K professional players, extreme video wall players as well as bar-type panel PC technologies for in-store advertisement, digital menu board, and video wall display applications.

IBASE also offers innovative digital out-of-home (DOOH) systems suitable for outdoor deployments. These reliable platforms support 24-hour operation in extended temperature range from -40°C to $+75^{\circ}\text{C}$ ($+167^{\circ}\text{F}$), with IP65/IP68 rated enclosure to make them dust-tight and water resistant. Even in tough conditions, IBASE's outdoor signage solutions deliver the same performance as its indoor counterparts, while also providing resistance to dust and dirt. They are the excellent choice for harsh and outdoor digital signage applications.



iBASE

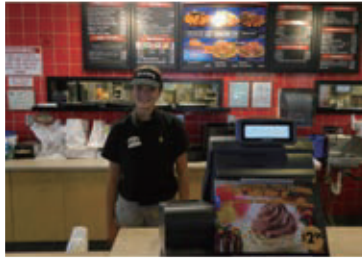
Digital Signage Applications

Education



- Events Announcement
- Intelligent Classroom
- School Wayfinders

Retail Environment



- Digital Menu Board
- Video Wall Signage
- POS & Kiosk

Internal Communication



- Meeting & Conference
- Reception Display
- Situation Room

Public Venues



- Airport Flight Schedule
- Building Directory
- Safety Alert Sign

Advertisement



- Digital Wall Signs
- Multimedia Ads
- Outdoor Ads

Strategic Software Partners

IBASE works closely with the industry-leading digital signage software and analytics companies to develop complete hardware turnkey solutions for fast and easy deployment in entertainment and public venues including shopping malls, restaurants, retail stores, airports, banks and hotels. Our solutions with user-friendly utilities extend the functionality of your business to increase sales and improve brand loyalty by creating and sharing compelling visual content, as well as providing information and entertainment to your target audience.



Signage Player Selection Guide

A full range of product choices is available for different customer requirements that include entry-level, mid-range or high-performance players with fanless or segregated ventilation designs. From single to multiple output displays, with passive or active cooling, IBASE signage players cater to the needs of customers for different applications and environments.

Screens	1	2	3	4	6	8~24
8~24 screens Video Wall						SP-63ER SI-60E SI-62S * SI-30S *
6 screens Video Wall					SI-626 SI-62S * SI-30S *	
4 screens Video Wall				SI-624 SI-614 SI-334 SI-654 SI-654-N SI-324 SI-324-N		
8K Video Playback	SI-624 SI-614 SP-63ER SI-62S * SI-30S *					
4K Video Playback	SI-626 SW-601-N SI-324 SI-324-N SI-642-N SI-613 SI-623-N SI-60E	SI-654 SI-654-N SI-334		SP-63ER SI-624 SI-614		
FHD / Flash	SW-101-N SI-22 SI-12 SA-112-N SA-101-N	SW-601-N SE-602-N SE-92 SE-103-N SE-102-N SI-642-N	SI-323-N SI-613 SI-623-N	SI-654 SI-654-N SI-334 SI-324 SI-324-N	SI-626	SP-63ER SI-60E

Screens

1

2

3

4

6

8~24

Fanless Design

Segregated Airflow Design

H/W EDID Emulation Function

* with Nvidia/AMD/Matrox GPU card

Comparison Table

Extreme Performance Video Wall

Coming soon



Models	SI-624	SI-62S	SP-63E/ER	SI-626
Mainboard	MBD624	MI998AF	MBD63E	MBD626
CPU	10th Gen Intel® Xeon/ Core™ Processor	9th/8th Gen Intel® Core™ / Pentium® / Celeron® desktop Processor	8th Gen Intel® Core™ / Pentium® / Celeron® desktop Processor	7th/6th Gen Intel® Core™ / Pentium® / Celeron® mobile Processor
Chipset	W480E for Xeon® W Processors Q470E for Core™ Processors	Q370 PCH	Intel® Q370 PCH	HM170/QM170 PCH
Operating System	Win10 IoT Enterprise (64-bit) Linux Ubuntu (64-bit)	Windows 10 (64-bit) Linux Ubuntu (64-bit)	Windows 10 (64-bit) Linux Ubuntu (64-bit)	Windows 7 (64-bit) Windows 10 (64-bit) Linux Ubuntu 14.04.2 LTS (64-bit) Linux Ubuntu 15.04 (64-bit)
Memory	2x DDR4 SO-DIMM , Max 64GB (support ECC by CPU SKU)	2x DDR4 SO-DIMM, Max. 32GB (supports ECC by CPU SKU)	2x DDR4-2666/ 2400 DIMM, Max. 64GB	2x DDR4-2133 SO-DIMM, Dual Channel, Max 32GB
Graphics	NVIDIA MXM Graphics	Intel® HD Graphics P630	Integrated Intel® HD Graphics	AMD E8860 GPU with 128-bit wide, 2GB GDDR5, 72Gbps
Display	1x HDMI 1.4 (console) 4x DP	1x DVI-D 1x HDMI 1x DP (console)	16x HDMI 1.3 (w/o audio)	6x HDMI 1.4b
Video Capability	4x 4K or 1x 8K	1x 4K or 1x 8K (with GPU card)	8x FHD or 4x 4K or 1x 8K	6x FHD or 1x 4K
Ethernet	1x Intel® I219LM 1x Intel® I211AT	1x Intel® I219LM 1x Intel® I211AT	1x Intel® I219LM 1x Intel® I210AT	2x Realtek RTL8111H-CG
Expansion Slots	1x M.2 E-Key (2230) 1x M.2 B-key (3052) 1 x UIM/SIM card slot	1x M.2 E-Key (2230) 1x M.2 M-Key(2280) 1x PCI-E (x16) or 2x PCI-E (x8) based on PCI-E x16 connectors	1x MiniPCI-E, 1x M.2 (M-key, type:2280) 1x M.2 (E-key, type:2230)	1x M.2 E-key(2230) 1x M.2 M-key(2280) 1x Mini PCI-E(Full-sized) 1x SIM card slot
USB	4x USB 3.1	6x USB 3.0 2x USB 2.0	6x USB 3.0	3x USB 3.0
Storage	2x 2.5SATA HDD/SSD slots	2x 2.5SATA SSD slots (supports RAID 1)	2x 2.5SATA HDD/SSD slots (supports RAID 1)	1x 2.5SATA HDD/SSD slots
iSMART	Yes	-	Yes	Yes
H/W EDID	Yes	-	Yes	Yes
HDMI-CEC	-	-	-	-
Fanless	Segregated flow ventilation	Segregated flow ventilation	-	Segregated flow ventilation
Certification	CE, FCC class B, UKCA ,cULus	CE, FCC class B	CE, FCC class B, LVD, cULus & CCC	CE, FCC class B, LVD, cULus & CCC
Dimensions	TBD	406mm(W) x 345mm(D) x 93mm(H)	395mm(W) x 438mm(D) x 88mm(H)	290mm(W) x 222mm(D) x 29.9mm(H)
Weight	TBD	8kgs (17.64lbs)	9.5kg (20.9lbs)	2.2kgs (4.85lbs)
Operating Temperature	0°C~ 45°C (32°F~113°F)	0°C~ 45°C (32°F~113°F)	0°C~ 45°C (32°F~113°F)	0°C~ 45°C (32°F~113°F)
Power Supply	270W power adaptor	Internal 500W PSU	Internal 850W PSU	150W power adaptor
Page No.	p. 19	p. 20	p. 21	p. 22

Comparison Table

Extreme Performance Video Wall

Mid-Range



SI-614	SI-30S	SI-60E	SI-654	SI-654-N
MBD614	MI991AF	MBD60E	MBD654	MBD654
7th/6th Gen Intel® Core™ / Pentium® / Celeron® desktop Processor	AMD Ryzen™ 3000/5000 Series 9/7/5 series Processor	4th Gen Intel® Core™ / Pentium® / Celeron® desktop Processor	11th Gen Intel® Core™ / Celeron® U-series Processor	11th Gen Intel® Core™ / Celeron® U-series Processor TDP<=15W
H110 PCH	AM4 X470	Intel® Q87	Integrated	Integrated
Windows 10 (64-bit) Linux Ubuntu (64-bit)	Windows 10 (64-bit) Linux Ubuntu (64-bit)	Windows XP Win7 32/64-bit Win10 IoT Enterprise (64-bit)	Win10 IoT Enterprise (64-bit) Linux Ubuntu (64-bit)	Win10 IoT Enterprise (64-bit) Linux Ubuntu (64-bit)
2x DDR4-2133 SO-DIMM, Dual Channel, Max 32GB	2x DDR4-2400 SO-DIMM, Dual Channel, Max. 64GB	4x DDR3-1600 SO-DIMM, Dual Channel, Max. 32GB	2x DDR4-3200 SO-DIMM, Max. 64GB	2x DDR4-3200 SO-DIMM, Dual Channel, Max. 64GB
NVIDIA MXM Graphics	AMD Radeon™ Vega GPU integrated for APU series	AMD E8860 GPU with 128-bit wide, 2GB GDDR5, 72Gbps	Intel® Gen12 Graphics	Intel® Gen12 Graphics
4x DP 1.3 certificate(1.3/1.4 ready) 1x HDMI 1.4 (console)	1x DP for APU series	12x HDMI 1.3 (w/o audio) 1x DVI-I for console	4x HDMI 2.0	4x HDMI 2.0
4x 4K or 1x 8K	1x 4K or 1x 8K (with GPU card)	6x FHD or 1x 4K	2x 4K	2x 4K
1x Intel® I219V	1x Realtek RTL8111H-CG	1x Intel® WGI218LM 1x Realtek RTL8111H-CG	1x Intel® I219LM for I7/I5 1x Intel® I219V for I3	1x Intel® I219LM for I7/I5 1x Intel® I219V for I3
1x M.2 M-Key(2280) 1x M.2 B-Key(3042) 1x Mini PCI-E(Full-sized) 1x SIM card slot	1x PCI-E (x16) 1x M.2 socket (E-Key) 1x SIM card slot	2x Mini PCI-E(Full-sized)	1 x M.2 B-Key(3042) 1 x M.2 E-Key(2230) 1 x UIM/SIM card slot	1 x M.2 B-Key(3042) 1 x M.2 E-Key(2230) 1 x UIM/SIM card slot
4x USB 3.0	6x USB 3.1	4x USB 3.0	1x USB 2.0 3x USB 3.1	1x USB 2.0 3x USB 3.1
2x 2.5SATA HDD/SSD slots	2x 2.5SATA SSD slots (supports RAID 1)	2x 2.5SATA HDD/SSD slots (supports RAID 1)	1x M.2 M-key (2280) supports NVMe	1x M.2 M-key (2280) supports NVMe
Yes	Yes	Yes	Yes	Yes
-	-	Yes	Yes	Yes
-	-	-	Yes	Yes
-	-	-	Segregated flow ventilation	Yes
CE, FCC class B, cULus & CCC	CE, FCC class B	CE, FCC class B, cULus, CCC & KC	CE, FCC class B, UKCA ,cULus, BSMI & CCC	CE, FCC class B, UKCA ,cULus, BSMI & CCC
256.4mm(W) x 173.2mm(D) x 73.1mm(H)	436mm(W) x 345mm(D) x 82mm(H)	412mm(W) x 310mm(D) x 47mm(H)	200.8mm(W) x 139.3mm(D) x 41.2mm(H)	200.8mm(W) x 139.3mm(D) x 41.2mm(H)
3kgs (6.6lbs)	8.2Kg (18 lbs)	5.4kgs (11.9lbs)	1.7kgs (3.7lbs)	1.7kgs (3.7lbs)
0°C~ 45°C (32°F~113°F)	0°C~ 45°C (32°F~113°F)	0°C~ 45°C (32°F~113°F)	0°C~ 45°C (32°F~113°F)	0°C~ 45°C (32°F~113°F)
220W power adaptor (270W for NV1080 GPU card)	Internal 500W PSU	Internal 250W PSU	84W power adaptor	84W power adaptor
p. 23	p. 24	p. 25	p. 26	p. 27






Comparison Table

Mid-Range



Models	SI-642-N	SI-623-N	SI-613	SI-334
Mainboard	MBD642	MBD623	MBD613	MBD334
CPU	8th Gen Intel® Core™ / Pentium® / Celeron® mobile Processor TDP<=25W	7th/6th Gen Intel® Core™ / Pentium® / Celeron® mobile Processor	7th/6th Gen Intel® Core™ / Pentium® / Celeron® desktop Processor	AMD Embedded V-series APU V2000 SOC series
Chipset	Integrated	HM170/QM170 PCH	H170/Q170 PCH	AMD integrated SoC
Operating System	Win10 IoT Enterprise (64-bit) Linux Ubuntu (64-bit)	Win7 (64-bit) Win8.1 (64-bit) Win10 IoT Enterprise (64-bit) Linux Fedora / Ubuntu (64-bit) (Installation)	Win7 (64-bit), Win8.1(64-bit) Win10 IoT Enterprise (64-bit) Linux Fedora / Ubuntu (64-bit) (Installation)	Win10 IoT Enterprise 64-bit Linux Ubuntu 64-bit
Memory	2x DDR4-2400 SO-DIMM Dual Channel, Max. 32GB	2x DDR4-2133 SO-DIMM, Dual Channel, Max 32GB	2x DDR4-2133 SO-DIMM, Dual Channel, Max 32GB	2x DDR4-3200, SO-DIMM, Dual Channel, Max. 64GB
Graphics	Intel® UHD Graphics 620	Intel® HD Graphics 530	Intel® HD Graphics 530	Next-gen AMD Vega GPU integrated
Display	1x HDMI 2.0 1x DP++	1x HDMI 2.0 2x HDMI 1.4	3x HDMI 2.0	4x HDMI 2.0
Video Capability	2x FHD or 1x 4K	3x FHD or 1x 4K	3x FHD or 1x 4K	4x FHD or 1x 4K
Ethernet	1x Intel® I219LM 1x Intel® I211AT	1x Intel® I219LM for QM170 1x Intel® I219V for HM170	1x Intel® I219LM for Q170 1x Intel® I219V for H170	2x Realtek RTL8111H-CG
Expansion Slots	1x M.2 B-Key(3042) 1x M.2 E-Key(2230) 1x UIM/SIM card slot	1x M.2 B-Key(3042) 1x M.2 M-Key(2280) 1x Mini PCI-E(Full-sized) 1x SIM card slot	1x M.2 B-Key(3042) 1x Mini PCI-E(Full-sized) 1x SIM card slot	1x M.2 B-Key (3052) 1x M.2 E-Key (2230) 1x UIM/SIM card slot
USB	4 x USB 3.1	2x USB 3.0 2x USB 2.0	2x USB 3.0 2x USB 2.0	3x USB 3.1
Storage	1x M.2 M-Key(2280)	1x 2.5SATA HDD/SSD	1x M.2 M-Key(2280)	1x M.2 M-Key(2280)
iSMART	Yes	Yes	Yes	Yes
H/W EDID	-	Yes	Yes	Yes
HDMI-CEC	-	-	-	Yes
Fanless	Yes	Yes	Segregated flow ventilation	Segregated flow ventilation
Certification	CE, FCC class B, cULus & CCC	CE, FCC class B, VCCI, cULus & CCC	CE, FCC class B, cULus & CCC	CE, FCC class B, UKCA, cULus, BSMI & CCC
Dimensions	175mm(W) x 119.3mm(D) x 25mm(H)	215.6mm(W) x 215.6mm(D) x 40mm(H)	215.6mm(W) x 215.6mm(D) x 40mm(H)	269mm(W) x 193mm(D) x 31.5mm(H)
Weight	TBD	2.4kgs (5.29lbs)	2.2kgs (4.85lbs)	2.1kgs (4.63lbs)
Operating Temperature	0°C~ 45°C (32°F~113°F)	0°C~ 45°C (32°F~113°F)	0°C~ 45°C (32°F~113°F)	0°C~ 45°C (32°F~113°F)
Power Supply	84W power adaptor	84W power adaptor	150W power adaptor	150W power adaptor
Page No.	p. 28	p. 29	p. 30	p. 31

Comparison Table

Mid-Range			Entry-Level	
				
SI-324	SI-324-N	SI-323-N	SI-12-J19	SI-22-415
MBD324	MBD324	MBD323	IB812	IB922
AMD Embedded V-series APU V1000 SOC series	AMD Embedded V-series APU V1000/R2000 SOC series TDP<=25W	AMD Embedded R-Series R1000 SOC series	Intel® Atom® Processor J1900 SoC (22nm); Quad-Core @ 2.0GHz	AMD Embedded G-Series Quad-Core APU GX-415GA @ 1.5GHz
Integrated	Integrated	Integrated	Integrated	Integrated
Win10 IoT Enterprise (64-bit) Linux Ubuntu (64-bit)	Win10 IoT Enterprise (64-bit) Linux Ubuntu (64-bit)	Win10 IoT Enterprise 64-bit Linux Ubuntu (64-bit)	Win7 (32/64-bit), Win8, Win8.1, WEI8.1, WEC 2013, Win10 IoT Enterprise (32/64-bit)	Windows 7 (32/64-bit) Windows 8.1 (64-bit) Windows 10 (64-bit) Linux Ubuntu 14.04.2 LTS (64-bit) Linux Ubuntu15.04 (64-bit)
2x DDR4-2400 SO-DIMM, Dual Channel, Max. 32GB	2x DDR4-2400 SO-DIMM, Dual Channel, Max. 32GB	2x DDR4-2400 SO-DIMM, Dual Channel, Max. 32GB	2x DDR3L-1333 SO-DIMM Dual Channel, Max. 8GB	1x DDR3-1600 SO-DIMM, Max. 8GB
Next-gen AMD Vega GPU integrated	Next-Gen AMD Radeon™ HD GPU integrated	Next-Gen AMD Radeon™ HD GPU integrated	Intel® Gen7 Graphics	AMD Radeon™ HD8330E series graphics integrated in APU
4x HDMI 2.0	4x HDMI 2.0	3x HDMI 2.0	2x HDMI 1.4a	2x HDMI 1.4a
4x FHD or 1x 4K	4x FHD or 1x 4K	3x FHD or 1x 4K	1x FHD	1x FHD
2x Realtek RTL8111H-CG	2x Realtek RTL8111H-CG	2x Realtek RTL8111H-CG	1x Realtek RTL8111H-CG	1x Realtek RTL8111H-CG
1x M.2 E-Key(2230) 1x Mini PCI-E(Full-sized) 1x SIM card slot	1x M.2 E-Key(2230) 1x Mini PCI-E(Full-sized) 1x SIM card slot	1x M.2 E-Key(2230) 1x Mini PCI-E(Full-sized) 1x SIM card slot	1x Mini PCI-E(Full-sized) 1x SIM card slot	1x Mini PCI-E(Full-sized) 1x SIM card slot
2x USB 3.0 1x USB 2.0	2x USB 3.0 1x USB 2.0	2x USB 3.0 1x USB 2.0	2x USB 2.0 1x USB 3.0	1x USB 2.0 2x USB 3.0
1x M.2 M-Key(2280)	1x M.2 M-Key(2280)	1x M.2 M-Key(2280)	1x mSATA	1x mSATA
Yes	Yes	Yes	Yes	Yes
Yes	Yes	Yes	-	-
-	-	-	-	-
Segregated flow ventilation	Yes	Yes	Yes	Yes
CE, FCC class B, cULus, BSMI & CCC	CE, FCC class B, cULus & CCC	CE, FCC class B, cULus & CCC	CE, FCC class B, VCCI class B, cULus, & BSMI	CE, FCC class B, VCCI class B, cULus & CCC
269mm(W) x 193mm(D) x 29.5mm(H)	215.8mm(W) x 164mm(D) x 45mm(H)	215.8mm(W) x 164mm(D) x 45mm(H)	190mm(W) x 130mm(D) x 19.5mm(H)	190mm(W) x 130mm(D) x 19.5mm(H)
2.1kgs (4.63lbs)	1.5kgs (3.31lbs)	1.5kgs (3.31lbs)	0.8kgs (1.76lbs)	0.9kgs (1.98lbs)
0°C~ 45°C (32°F~113°F)	0°C~ 45°C (32°F~113°F)	0°C~ 45°C (32°F~113°F)	0°C~ 45°C (32°F~113°F)	0°C~ 45°C (32°F~113°F)
150W power adaptor	84W power adaptor	84W power adaptor	60W power adaptor	60W power adaptor
p. 32	p. 33	p. 34	p. 35	p. 36

Comparison Table

Outdoor / Waterproof

Coming soon



Coming soon



Models	SW-601-N	SW-101-N	SE-103-N
Mainboard	MBD601	SGT-MB3	MBD103
CPU	11th Gen Intel® Core™ / Celeron U-series Processor	Intel® Atom® Processor E3845 SoC (22nm); Quad-Core @ 1.91GHz	Intel® Atom® X6000/ Pentium® / Celeron® Processor
Chipset	Integrated in Intel® SoC	Integrated	Integrated in Intel® SoC
Operating System	Win10 IoT Enterprise (64-bit)	Win7 32/64-bit, Win8, Win8.1, WEI8.1, WEC 2013 Win10 IoT Enterprise (32/64-bit)	Win10 IoT Enterprise (64-bit) Linux Ubuntu (64-bit)
Memory	2x DDR4-3200 SO-DIMM, Max. 64GB	1x DDR3L-1333 SO-DIMM, Max 8GB	2x DDR4-3200 SO-DIMM, Max. 32GB, support IB ECC
Graphics	Intel Gen12 graphics	Intel® HD Graphics	Intel® Gen11 graphics
Display	1x HDMI (C3 connector)	1x HDMI (C3 connector)	3x HDMI 2.0b
Video Capability	1x 4K	1x FHD	2 x FHD or 1x 4K
Ethernet	1x Intel® I219LM	1x Realtek RTL8111H-CG	1x Intel® I219 for x6000 series 1x Intel® I210AT for N/J6000 series
Expansion Slots	1x M.2 B-Key (3052) 1x M.2 E-Key (2230) 1x UIM/SIM card slot	1x mPCIe (x1) socket 1x mSATA socket for mSATA SSD	1x M.2 B-Key (3052) 1x M.2 E-Key (2230) 1x UIM/SIM card slot
USB	2x USB 2.0 (M12 connector)	2x USB 2.0 (M12 connector)	3x USB
Storage	1x M.2 M-Key (2280)	1x mSATA	1x M.2 M-Key (2280)
iSMART	Yes	Yes	Yes
H/W EDID	-	-	Yes
HDMI-CEC	Yes	-	Yes
Fanless	Yes	Yes	Yes
Certification	CE, FCC class B, UKCA, cULus & CCC	CE, FCC class B, cULus	CE, FCC class B, UKCA, cULus & CCC
Dimensions	TBD	227mm(W) x 192mm(D) x 70mm(H)	TBD
Weight	TBD	2.8kg	TBD
Operating Temperature	-40°C~ 75°C (-40°F~167°F)	-40°C~ 75°C (-40°F~167°F)	-40°C~ 75°C (-40°F~167°F)
Power Supply	Option	Option	60W power adaptor
Page No.	p. 37	p. 38	p. 39

Comparison Table

Outdoor / Waterproof

OPS / SDM



Models	SE-102-N	SE-92-N	IOPS-602
Mainboard	MBD102	IB912	OPS602
CPU	Intel® Atom® x7 / x5, Pentium® & Celeron® processors	5th Gen Intel® ULT Processor	7th Generation Intel® Core™ U-series Processor Quad-Core i7-7600U (2.8GHz/3.9GHz) Quad-Core i5-7300U (2.6GHz/3.5GHz)
Chipset	SoC	SoP (System-on-Package)	Integrated
Operating System	Windows 10 (64-bit) Linux Ubuntu (64-bit)	Win7 (32/64-bit), Win8.1, WEI8.1	Win10 IoT Enterprise (64-bit) Linux Fedora / Ubuntu (64-bit) (Installation)
Memory	2x DDR3L-1866 SO-DIMM Dual Channel, Max. 8GB	2x DDR3L-1600 SO-DIMM Dual Channel, Max. 16GB	2x DDR4-2133 SO-DIMM dual channel, Max. 32GB
Graphics	Intel® HD Graphics 505	Intel® HD graphics engine	Intel® HD Graphics
Display	2x HDMI 1.4b	2x Hybrid-DVI (VGA/ DVI/ HDMI with audio)	1x OPS 1x HDMI 1.4b
Video Capability	2x FHD	2x FHD	2x FHD or 1x 4K
Ethernet	Intel® I210IT for EXXXX series CPU Intel® I211AT for NXXXX series CPU	1x Intel® 218LM 1x Intel® 210IT	1x Intel® I219LM LAN PHY for I5/I7 1x Intel® I219V LAN PHY for I3
Expansion Slots	1x Mini PCI-E(Full-sized) 1x SIM card slot	1x M.2 E-Key(2230) 1x M.2 M-Key(2280) 1x Mini PCI-E(Full-sized) 1x SIM card slot	1x M.2 E-Key(2230)
USB	3x USB 3.0	2x USB 2.0 2x USB 3.0	4x USB 3.0
Storage	1x mSATA	1x 2.5SATA HDD/SSD slot	1x M.2 M-Key (2280)
iSMART	Yes	Yes	-
H/W EDID	Yes	Yes	-
HDMI-CEC	-	-	-
Fanless	Yes	Yes	-
Certification	CE, FCC Class B, cULus & CCC	CE, FCC class B, cULus & CCC	CE & FCC class B
Dimensions	190mm(W) x 130mm(D) x 19.5mm(H)	280mm(W) x 216mm(D) x 46mm(H)	200mm(W) x 119mm(D) x 30mm(H)
Weight	0.9kgs (1.98lbs)	3.7kgs (8.16lbs)	0.9kgs (1.98lbs)
Operating Temperature	-40°C~70°C (-40°F~158°F) for Exxxx CPU 0°C~45°C (32°F~113°F) for Nxxxx CPU	-40°C~ 75°C (-40°F~167°F)	0°C~ 45°C (32°F~113°F)
Power Supply	60W power adaptor	Option	-
Page No.	p. 40	p. 41	p. 42

Comparison Table

All-in-One Bar-Type Panel PC



Models	ARD-048-N	ARD-042-N	ARD-037-N	ARD-028-NRA
Mainboard	IB919AF-8365	IB811F-420	IB811F-420	IB811F-420
CPU	Intel® Core™ i5-8365UE Processor 1.6GHz~4.1GHz	Intel® Pentium® Quad-Core N4200 1.1GHz~2.5GHz	Intel® Pentium® Quad-Core N4200 1.1GHz~2.5GHz	Intel® Pentium® Quad-Core N4200 1.1GHz~2.5GHz
Chipset	Integrated	Integrated	Integrated	Integrated
Operating System	Win10 IoT Enterprise (64-bit) Linux Ubuntu (64-bit)	Win10 IoT Enterprise (32/64-bit)	Win10 IoT Enterprise (32/64-bit)	Win10 IoT Enterprise (32/64-bit)
Memory	2x DDR4L-2400 SO-DIMM Dual Channel Max 32GB	2x DDR3L-1866 SO-DIMM Dual Channel Max 8GB	2x DDR3L-1866 SO-DIMM Dual Channel Max 8GB	2x DDR3L-1866 SO-DIMM Dual Channel Max 8GB
Graphics	Intel® UHD Graphics 620	Intel® Gen9 Graphics	Intel® Gen9 Graphics	Intel® Gen9 Graphics
Display	1x HDMI 1.4b 1x DP 1.2	1x HDMI 1.4b 1x DP1.2	1x HDMI 1.4b 1x DP1.2	1x HDMI 1.4b 1x DP 1.2
Video Capability	1x 4K	1x FHD	1x FHD	1x FHD
Ethernet	1x Intel® I219LM (M12 connector)	1x Intel® I210IT 1x Intel® I210AT	1x Intel® I210IT 1x Intel® I210AT	1x Intel® I210IT 1x Intel® I210AT
Expansion Slots	1x M.2 E-key(2230)	1x M.2 B-key(3042)	1x M.2 B-key(3042)	1x M.2 B-key(3042)
USB	2x USB2.0 (M12 connector)	4x USB3.0	4x USB3.0	4x USB3.0
Storage	1x mSATA	1x mSATA	1x mSATA	1x mSATA
iSMART	-	-	-	-
H/W EDID	-	-	-	-
HDMI-CEC	-	-	-	-
Fanless	Yes	Yes	Yes	Yes
Certification	CE & FCC Class B	CE, FCC Class B, VCCI, cULus & CCC	CE, FCC Class B, VCCI, cULus & CCC	CE, FCC class B, VCCI, cULus & CCC
Dimensions	1250mm(W) x 280mm(D) x 49.7mm(H)	928.10mm(W) x 66.50mm(D) x 281.90mm(H)	928.10mm(W) x 66.50mm(D) x 281.90mm(H)	729.10mm(W) x 54mm(D) x 170.80mm(H)
Weight	TBD	9.0kgs (19.84lbs)	9.0kgs (19.84lbs)	5.4kgs (11.9lbs)
Operating Temperature	-25°C~ 40°C (-13°F~104°F)	0°C~ 40°C (32°F~104°F)	0°C~ 40°C (32°F~104°F)	-25°C ~ 55°C (-13°F ~ 131°F)
Power Supply	180W power adaptor	180W power adaptor	180W power adaptor	84W power adaptor
Page No.	p. 43	p. 44	p. 45	p. 46

SI-624

Extreme Performance Video Wall Player

10th Gen Intel® Xeon® W / Core™ Processor Video Wall Player with MXM NVIDIA Graphics and Four DP



Coming soon



Features

- iSMART intelligent energy-saving & Observer remote monitoring technologies
- 10th Gen Intel® Xeon® W / Core™ / processors, up to 4.8GHz
- NVIDIA MXM graphics card (Type-B, up to 150W)
- 2x DDR4 SO-DIMM, Max. 64GB, ECC compatible
- 1x HDMI 1.4 for console, 4x DisplayPort
- 1x M.2 E-key(2230) for Wi-Fi, Bluetooth or capture card options
- 1x M.2 B-key(3052), for 5G or 4G LTE options
- 2x 2.5" SATA III SSD drive bay
- Watchdog timer, Digital I/O, iAMT (14), TPM (2.0)
- Compact and rugged design

Specifications

System Mainboard	MBD624
CPU	10th Gen Intel® Xeon® W / Core™ / processors, up to 4.8GHz
CPU Socket	LGA1151
Chipset	W480E for Xeon® W Processors Q470E for Core™ Processors
Memory	2x DDR4 SO-DIMM socket, Max 64GB (supports ECC by CPU SKU)
Graphics	NVIDIA MXM graphics
LAN	1x 1st LAN 1x Intel® I219LM 1x 2nd LAN 1x Intel® I210AT
Expansion Slots	1x M.2 E-key (2230) 1x M.2 B-key (3052) 1x UIM/SIM card slot
I/O Interface	1x HDMI 1.4 for console 4x DisplayPort 4x USB 3.0 2x RJ45 for Gigabit LAN 1x RJ45 for RS-232 serial port 2x Audio connector for Line-in/out Power / HDD LED 1x Power button 1x Power jack connector 1x Terminal block for external power button
Auto Control and Monitoring	Watchdog Timer: 256 segments, 0, 1, 2...255 (sec/min)
Power Requirement	+19V DC
Construction	SGCC
Weight	TBD
Chassis Color	Black and white
Storage	2x 2.5" SATA III SSD drive bay
Power Supply	270W power adaptor
Mounting	Standard system bracket
Dimensions	TBD
Operating Temperature	0°C~ 45°C (32°F~113°F)
Storage Temperature	-20°C ~ 80°C (-4°F~176°F)
Relative Humidity	5%~90% @45oC (non-condensing)

Vibration	SSD: 5 grms / 5~500Hz / random operation
Certification	CE, FCC Class B, UL & CCC
Operating System	Windows 10 / Linux

Ordering Information

SI-624	Signage Player with MBD624 with Intel® Core™ i9-10900E processor (20M cache, up to 4.7 GHz), 1x Nvidia MXM GPU card, 128GB 2.5" SSD, 2x 8GB DDR4 SO-DIMM & 270W power adaptor
SI-624-M	Signage Player with MBD624, 270W PSU w/o CPU, MXM GPU card memory & storage



Features

- 9th/8th Gen Intel® Core™ / Pentium® / Celeron® processors
- 2x DDR4 SO-DIMM, Max. 32GB (supports ECC by CPU SKU)
- Intel® Processor integrated graphics, supports DVI-D, HDMI, DisplayPort
- Dual Intel® Gigabit LAN
- 6x USB3.0, 2x USB2.0, 4x COM, 4x SATA III
- 1x M.2 E-key (2230) for Wi-Fi, Bluetooth or capture card options
- 1x M.2 M-key (2280) for Storage or other options
- Watchdog timer, Digital I/O, iAMT (11.6), TPM (2.0)
- 1x PCI-E(x16) or 2x PCI-E(x8) based on PCI-E x16 Connectors for Matrox / AMD / Nvidia GPU card options

Specifications

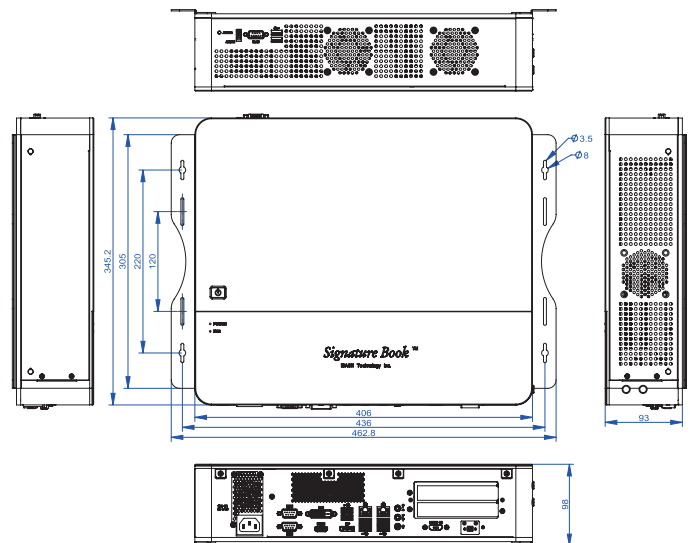
System Mainboard	MI998AF
CPU	9th/8th Generation Intel® Desktop Processors TDP <= 65W
CPU Socket	LGA1151
Chipset	Q370 PCH
Memory	2x DDR4 SO-DIMM, Max. 32GB (supports ECC by CPU SKU)
Graphics	Integrated Intel® HD graphics P630
LAN	1x Intel® I219LM Gigabit LAN controller 1x Intel® I211AT PCI-E Gigabit LAN (as 2nd LAN)
Expansion Slots	1x M.2 (E-key, type:2230) 1x M.2 (M-key, type:2280) 1x PCI-E (x16) or 2x PCI-E (x8) based on PCI-E x16 connectors for Matrox / AMD / NVIDIA graphics card
I/O Interface	Supports DVI-D, HDMI(1.4), DisplayPort(1.2) 6x USB 3.0, 2x USB 2.0 1x GPIO port 2x RJ45 for Gigabit LAN COM1 & COM2 for RS232/422/485 3x Microjack audio connectors for Mic, Line-in and Line-out 1x HDMI in for the capture card option Power/ HDD LED, 1x power button 1x Terminal block for external power button 1x Reset button, 1x DC 12V output
Auto Control and Monitoring	Watchdog Timer: 256 segments, 0, 1, 2...255 (sec/min)
Power Requirement	AC 110V~240V
Construction	Aluminum + SGCC
Weight	8kgs (17.64lbs)
Chassis Color	Black & white
Storage	2x 2.5" SATA SSD slots with RAID 1
Power Supply	Internal 500W PSU
Mounting	Standard system bracket
Dimensions	406mm(W) x 345mm(D) x 93mm(H) 17.16"(W) x 15.9"(D) x 3.66"(H)
Operating Temperature	0°C ~ 45°C (32°F ~ 113°F)
Storage Temperature	-20°C ~ 80°C (-4°F ~ 176°F)
Relative Humidity	10%~90% (non-condensing)
Vibration	mSATA: 5 grms / 5~500Hz / random operation

Certification	CE, FCC
Operating System	Windows® 10 64-bit Ubuntu (64-bit)

Ordering Information

SI-62S	Signage Player with MI998AF with Intel® Core™ i7-8700 processor, 1x IP119 PCI-E(x16) riser card, 2x 8GB DDR4 memory, 1x 2.5" SSD 128GB & 500W PSU
SI-62S-2P	Signage Player with MI998AF with Intel® Core™ i7-8700 processor, 1x IP421 with 2x PCI-E x8 (PCI-E x16 connectors) riser card, 2x 8GB DDR4 memory, 1x 2.5" SSD 128GB & 500W PSU

Dimensions



SP-63E/ER

Extreme Performance Video Wall Player

8th Gen Intel® Core™ Desktop Processor Video Wall Player
with MXM Graphics up to Sixteen HDMI



SP-63E VIDEO



SignaturePro



Specifications

System Mainboard	MBD63E + IDD107
CPU	8th Gen Intel® Core™ i7/i5/i3 processors, up to 4.7GHz
CPU Socket	LGA1151
Chipset	Intel® Q370 PCH
Memory	2x DDR4-2666/ 2400 DIMM, Max. 32GB
Graphics	Intel® HD Graphics P630
LAN	LAN 1: Intel® I219LM GbE PHY LAN 2: Intel® I210AT GbE
Expansion Slots	1x Mini PCI-E 1x M.2 M-key (2280) 1x M.2 E-key (2230) 1x MXM slot (for NVIDIA)
I/O Interface	Up to 16x HDMI 1.3 with hardware EDID emulation (with GTX1080 MXM graphics card) 4x USB 3.1 ports 1x USB 3.0 ports 2x RJ45 for Gigabit LAN 1x D-Sub for RS232 2x Audio connectors for Line-out/Mic-in Power/HDD LED 1x Power button 1x AC power inlet
Auto Control and Monitoring	Watchdog Timer: 256 segments, 0, 1, 2...255 (sec/min)
Power Requirement	AC 110V ~ 240V
Construction	SGCC
Weight	9.5Kg (20.9lbs)
Chassis Color	Black & white
Storage	2x SATA III 2.5" HDD Dock (supports RAID 1)
Power Supply	AC 110V~240V
Mounting	Standard system bracket
Dimensions	395mm(W) x 438mm(D) x 88mm(H) 15.5"(W) x 17.2"(D) x 3.46"(H)
Operating Temperature	0°C ~ 45°C (32°F ~ 113°F)
Storage Temperature	-20°C ~ 80°C (-4°F ~ 176°F)
Relative Humidity	5~90% @ 45°C, (non-condensing)
Vibration	mSATA: 5 grms / 5~500Hz / random operation
Certification	CE, FCC Class B, cULus, & CCC
Operating System	Windows 10 IoT Enterprise 64-bit

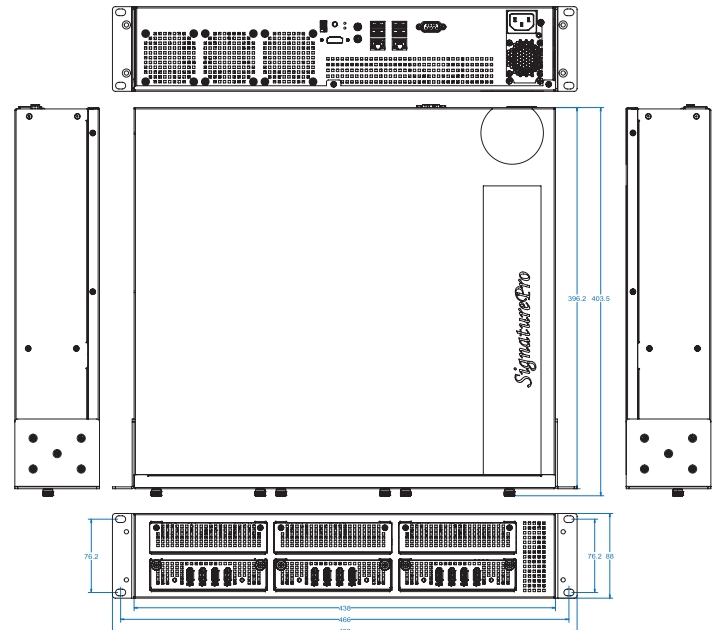
Features

- iSMART intelligent energy-saving & Observer remote monitoring technologies
- Perfect for displaying 8K/12K video wall or menu board contents
- Supports 8th Gen Intel® Core™ desktop processors
- Up to 16 x HDMI 1.3 (w/o Audio) with built-in hardware EDID emulation function
- Rugged design with Intel® vPro™ and MARS technologies (Intel® Altera FPGA solution)
- Last frame capture and display monitoring functions (Intel® Altera FPGA solution)

Ordering Information

SP-63E-16	Intel® Core™ i7-8700 Processor (12M cache, up to 3.2GHz), 1x MXM NV GTX 1080 8G GDDR5X 256-bits GPU card, 16x HDMI output, 2x 8GB DDR4-2666/2400 SO-DIMM, 2x 128GB SATA III 2.5" HDD Dock, 850W PSU (Intel Altera FPGA solution)
SP-63ER-16	Intel® Core™ i7-8700 Processor (12M cache, up to 3.2GHz), 1x MXM NV GTX 1080 8G GDDR5X 256-bits GPU card, 16x HDMI output, 2x 8GB DDR4-2666/2400 SO-DIMM, 2x 128GB SATA III 2.5" HDD Dock, 850W PSU

Dimensions



SI-626

Extreme Performance Video Wall Player

7th/6th Gen Intel® Core™ Mobile Processor Video Wall Player
with AMD Radeon™ E8860 Graphics and Six HDMI



Specifications

System Mainboard	MBD626
CPU	7th/6th Gen Intel® Core™ mobile processor TDP <=35W
CPU Socket	FCBGA1440
Chipset	HM170/ QM170 PCH
Memory	2x DDR4-2133 SO-DIMM, dual-channel, Max. 32GB
Graphics	AMD Radeon™ E8860 GPU
LAN	2x Realtek KTL8111H-CG Gigabit LAN controller
Expansion Slots	1x Mini PCI-E (full-size) 1x M.2 E-Key (2230) 1x M.2 M-key (2280)
I/O Interface	6x HDMI 1.4 with hardware EDID emulation 4x USB 3.0 2x RJ45 for Gigabit LAN 2x RJ45 for RS-232 serial port 1x Audio connector for Line-out/Mic-in Power / HDD LED 1x Power button 1x Power jack connector
Auto Control and Monitoring	Watchdog Timer: 256 segments, 0, 1, 2...255 (sec/min)
Power Requirement	+12V DC
Construction	Aluminum + SGCC
Weight	2.2 kgs (4.85 lbs)
Chassis Color	Black and white
Storage	1x 2.5" SSD/HDD
Power Supply	150W power adaptor
Mounting	Standard system bracket
Dimensions	290mm(W) x 222mm(D) x 29.9mm(H) 11.41"(W) x 8.74"(D) x 1.17"(H)
Operating Temperature	0°C~ 45°C (32°F~113°F)
Storage Temperature	-20°C ~ 80°C (-4°F~176°F)
Relative Humidity	5%~90% @45oC (non-condensing)
Vibration	SSD: 5 grms / 5~500Hz / random operation
Certification	CE, FCC Class B, cULus & CCC
Operating System	Win7 64-bit, Win10 64-bit Enterprise, Linux Ubuntu 64-bit

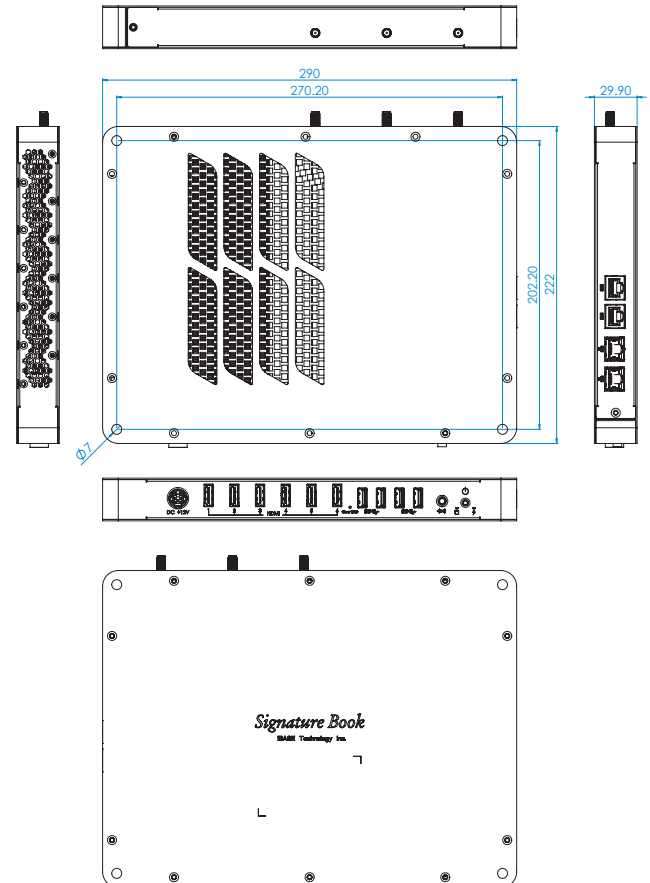
Features

- iSMART intelligent energy-saving & Observer remote monitoring technologies
- 6x HDMI1.4b with independent Audio output
- Built-in hardware EDID emulation function with software setting mode
- 7th/6th Gen Intel® Core™ mobile processor
- 2x DDR4-2133 SO-DIMM, dual channel, Max. 32GB
- Flexible VW display configuration setting
- 1x Mini PCI-E (full-size) for Wi-Fi, Bluetooth, 4G LTE or capture card options
- 1x M.2 E-Key (2230) for Wi-Fi, Bluetooth
- 1x M.2 M-key (2280) for storage
- 2x RS232 serial ports
- Slim and segregated ventilation design

Ordering Information

SI-626	Signage Player with MBD626 (w/ AMD E8860 GPU for 6x HDMI), with 6th Gen Intel® Core™ (mobile) i7-7820EQ processor, 2x 4GB DDR4 SO-DIMM, 128GB SSD and 150W power adaptor
--------	--

Dimensions



SI-614

Extreme Performance Video Wall Player

7th/6th Gen Intel® Core™ Desktop Processor Video Wall Player with MXM NVIDIA Graphics and Four DP



Specifications

System Mainboard	MBD614
CPU	7th Gen Intel® Core™ Desktop processor
CPU Socket	LGA1151
Chipset	H110 PCH
Memory	2x DDR4 2133 SO-DIMM, dual channel, Max. 32GB
Graphics	NVIDIA GeForce GTX 1080 8GD5X / GeForce GTX 1060 6GD5 / GeForce GTX 1050-LN 4GD5
LAN	1x Intel® I219V Gigabit LAN controller
Expansion Slots	1x Mini PCI-E (full-size) 1x M.2 B-key (3042) 2x 2.5" drive bay for SATA III SSD 1x SIM card slot
I/O Interface	1x HDMI 1.4 for console 4x DisplayPort 4x USB 3.0 1x RJ45 for Gigabit LAN 1x RJ45 for RS-232 serial port 1x Audio connector for Line-out Power / HDD LED 1x Power button 1x Power jack connector 1x Terminal block for external power button
Auto Control and Monitoring	Watchdog Timer: 256 segments, 0, 1, 2...255 (sec/min)
Power Requirement	+19V DC
Construction	SGCC
Weight	3kg (6.6lbs)
Chassis Color	Black and white
Storage	1x M.2 M-Key (2280)
Power Supply	270W power adaptor
Mounting	Standard system bracket
Dimensions	256.4mm(W) x 173mm(D) x 73mm(H) 10.09"(W) x 6.81"(D) x 2.87"(H)
Operating Temperature	0°C ~ 45°C (32°F ~ 113°F)
Storage Temperature	-20°C ~ 80°C (-4°F ~ 176°F)
Relative Humidity	5%~90% @45oC (non-condensing)
Vibration	SSD: 5 grms / 5~500Hz / random operation
Certification	CE, FCC Class B, UL & CCC
Operating System	Windows 10 / Linux

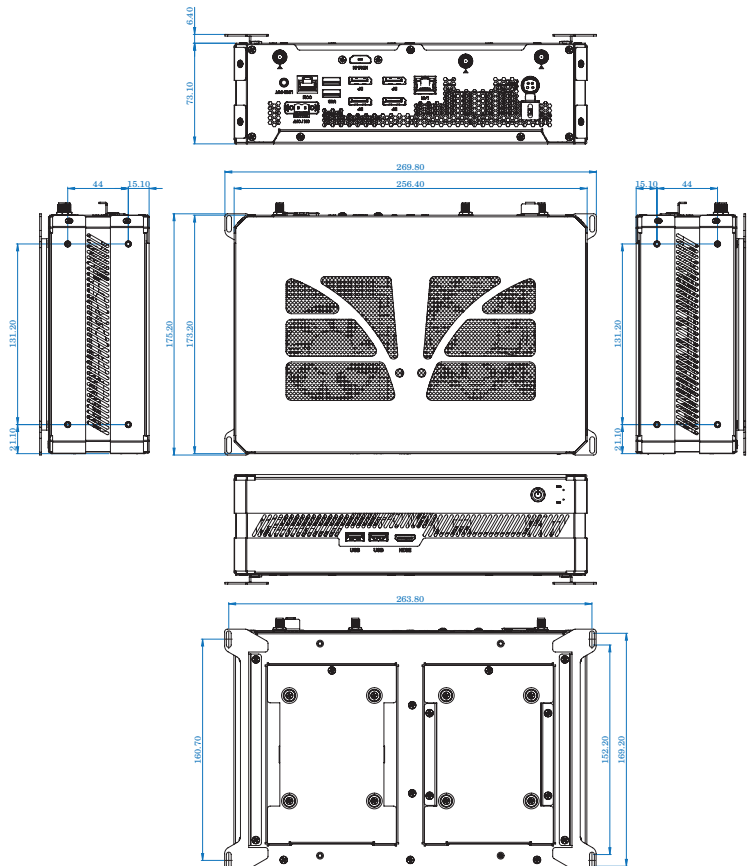
Features

- iSMART intelligent energy-saving & Observer remote monitoring technologies
- 7th Gen Intel® Core™ i7/i5/i3/ Pentium® / Celeron® Processors
- NVIDIA MXM graphics card (Type-B, up to 150W)
- 2x DDR4 2133 SO-DIMM, dual channel, Max. 32GB
- 1x HDMI 1.4 for console, 4x DisplayPort
- 1x Mini PCI-E (full-size) for Wi-Fi, Bluetooth, 4G LTE or capture card options
- 1x M.2 B-key (3042) for 4G LTE options
- 2x 2.5" SATA III SSD drive bay
- Compact and rugged design

Ordering Information

SI-614	Signage Player with MBD614 with Intel® Core™ i5-7500 processor (8M cache, up to 3.4 GHz), 1x MXM NV1050 4GB 128bit/GDDR5 GPU card, 2x 8GB DDR4, 128GB 2.5" SSD & 270W power adaptor.
SI-614-M	Signage Player with MBD614, 270W PSU w/o CPU, MXM GPU card memory & storage.

Dimensions





SI-30S VIDEO

Features

- iSMART intelligent energy-saving & Observer remote monitoring technologies
- AMD Ryzen™ 3000/5000 Series 9/7/5 series Processor
- 2x DDR4 2400 SO-DIMM, dual channel; Max. 64GB
- 1x Mini PCI-E (full-size) for Wi-Fi, Bluetooth, 4G LTE or capture card options
- 1x M.2 E-Key (2230) for Wi-Fi, Bluetooth options
- 1x PCI-E (x16) or 2x PCI-E (x8) based on PCI-E x16 connectors for optional Matrox / AMD / NVIDIA GPU cards

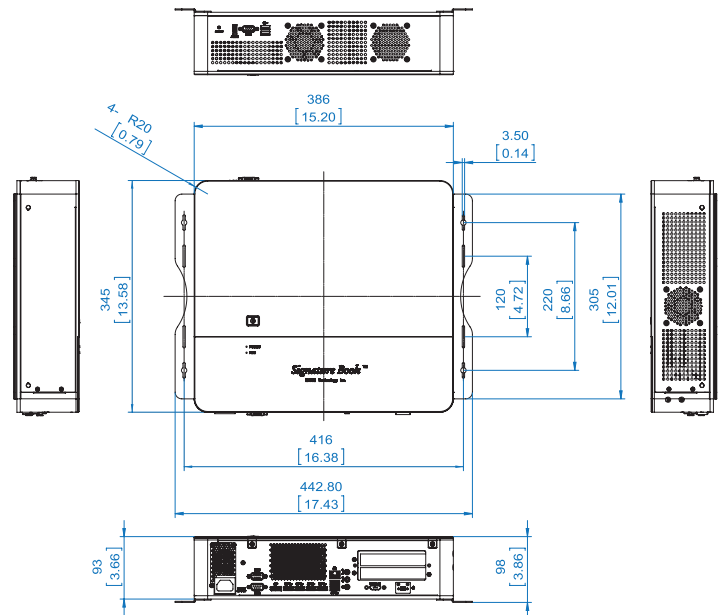
Specifications

System Mainboard	MBD301
CPU	AMD Ryzen™ 3000 Series 7 & 5 processors
CPU Socket	AM4
Chipset	AMD X470
Memory	2x DDR4 2400 SO-DIMM, dual channel, Max. 64GB
Graphics	AMD Radeon™ Vega GPU integrated for APU series
LAN	1x Gigabit LAN
Expansion Slots	1x PCI-E (x16) slot supports single at x16 (PCIE2) for AM4 Pure CPU series 1x PCI-E (x16) slot supports single at x8 (PCIE2) for AM4 APU series 1x M.2 E-Key (2230) 1x SIM card slot
I/O Interface	6x USB 3.1 1x DP 1x RJ45 for Gigabit LAN 1x COM#1 port for RS232/422/485 1x COM#2 port for RS232 only 3x Audio connectors for Line-out/Mic-in 1x Reset button 1x DC 12V output 1x Terminal block for external power button
Auto Control and Monitoring	Watchdog Timer: 256 segments, 0, 1, 2...255 (sec/min)
Power Requirement	AC 110V ~ 240V
Construction	Aluminum + SGCC
Weight	8.2Kg (18 lbs)
Chassis Color	Black & white
Storage	2x 2.5" SATA SSD with RAID 1 support
Power Supply	Internal 500W PSU
Mounting	Standard system bracket
Dimensions	386mm(W) x 345mm(D) x 93mm(H) 15.20"(W) x 13.58"(D) x 3.66"(H)
Operating Temperature	0°C ~ 45°C (32°F ~ 113°F)
Storage Temperature	-20°C ~ 80°C (-4°F ~ 176°F)
Relative Humidity	10% ~ 90% (non-condensing)
Vibration	mSATA: 5 grms / 5 ~ 500Hz / random operation
Certification	CE, FCC Class B, CCC
Operating System	Win10 64-bit Enterprise

Ordering Information

SI-30S	Signage Player with MBD301 AMD® Ryzen™ 1700x processor (20MB cache, up to 3.7 GHz), 2x 8GB DDR4 2400 SO-DIMM, 2.5" SSD 128GB & 500W PSU.
--------	--

Dimensions





SI-60E VIDEO



Features

- iSMART intelligent energy-saving & Observer remote monitoring technologies
- 12x HDMI 1.3 (w/o Audio)
- Built-in hardware EDID emulation function
- Discrete AMD Radeon™ E8860 graphics processors with 2GB GDDR5 graphics memory
- Supports 4th Gen Intel® Core™ desktop processor
- 4x DDR3-1600 DIMM, dual channel, Max. 32GB
- 2x RS232 serial ports
- 1x Mini PCI-E (full-size) for mSATA, Wi-Fi, Bluetooth or 4G LTE options
- 1x Mini PCI-E (full-size) for Wi-Fi, Bluetooth or 4G LTE options
- 2x SATA III 2.5" HDD with RAID 1 support
- Compact and rugged design

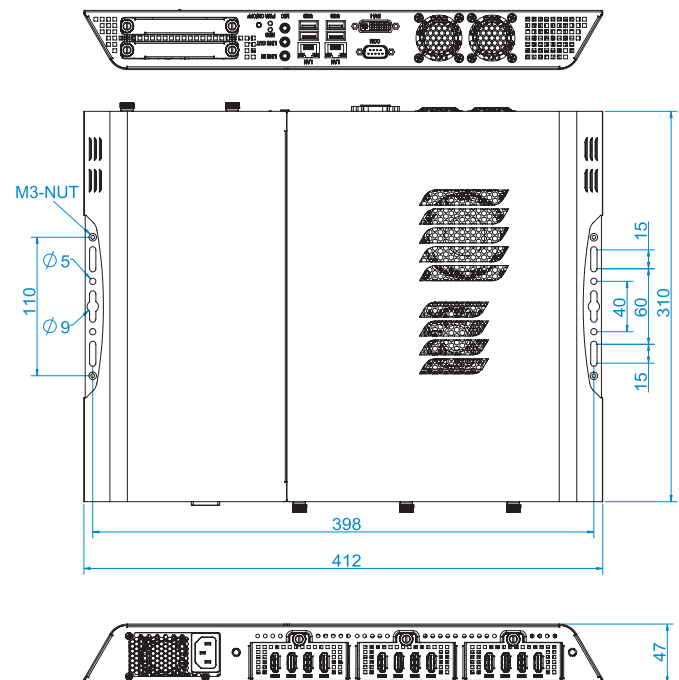
Specifications

System Mainboard	MBD60E
CPU	4th Gen Intel® Core™ i7/i5/i3 and Pentium® QC/DC processors
CPU Socket	LGA1150
Chipset	Intel® Q87 PCH
Memory	4x 8G DDR3-1600 DIMM, Max. 32GB
Graphics	AMD E8860 GPU with 128-bit wide, 2GB GDDR5, 72Gbps 640 Shader processors <ul style="list-style-type: none"> • AMD APP technology, OpenCL™ 1.24, DirectCompute 11.1 • 768 / 48 GFLOPS single- / double-precision peak (600e/4.5Gbps) • Supports AMD Eyefinity technology
LAN	1x Intel® Clarkville I218LM Gigabit LAN controller 1x Realtek RTL8111H-CG Gigabit LAN controller
Expansion Slots	1x Mini PCI-E 1x Mini PCI-E (full-size) for Wi-Fi, Bluetooth or 4G LTE
I/O Interface	12x HDMI 1.3 with hardware EDID emulation 1x DVI-I for console 4x USB 3.0 ports 2x RJ45 for Gigabit LAN 1x DSUB 9-pin for RS232 3x Audio connectors for Line-out/Mic-in Power/HDD LED 1x Power button 1x AC power inlet
Auto Control and Monitoring	Watchdog Timer: 256 segments, 0, 1, 2...255 (sec/min)
Power Requirement	AC 110V~240V
Construction	SGCC
Weight	5.4 kgs (11.9 lbs)
Chassis Color	Black and white
Storage	2x SATA III 2.5" HDD Dock (supports RAID 1)
Power Supply	84W power adaptor
Mounting	Standard system bracket
Dimensions	412mm(W) x 310mm(D) x 47mm(H) 16.22"(W) x 12.2"(D) x 1.85"(H)
Operating Temperature	0°C ~ 45°C (32°F ~ 113°F)
Storage Temperature	-20°C ~ 80°C (-4°F ~ 176°F)
Relative Humidity	5~90% @ 45°C, (non-condensing)
Vibration	mSATA: 5 grms / 5~500Hz / random operation
Certification	CE, FCC Class B, VCCI, cULus, CCC & KC
Operating System	Windows XP, Win7 32/64-bit, Win8 64-bit, Win8.1 64-bit Win10 64-bit Enterprise, WEC 2013

Ordering Information

SI-60E	Signage Player with MBD60E (w/ AMD E8860 for 12x HDMI), with 4th Gen Intel® Core™ (DT) i7-4770S processor, 4x 8GB DDR3 DIMM, 2.5" 128GB SSD and 250W PSU
SI-60X	Rackmount bracket

Dimensions





Features

- iSMART intelligent energy-saving & Observer remote monitoring technologies
- 11th Gen Intel® Core™ U-series processor
- 4x HDMI 2.0 with independent Audio output support
- Built-in CEC and hardware EDID emulation functions with the software setting mode
- 2x DDR4-3200 SO-DIMM, dual channel, Max. 64GB
- 1x M.2 B-Key (3042) for 4G LTE options
- 1x M.2 E-key (2230) for Wi-Fi, Bluetooth or capture card options
- 1x M.2 M-Key (2280) for storage
- Supports Intel® iAMT(11.0), TPM 2.0 and watchdog timer
- Slim and segregated ventilation design

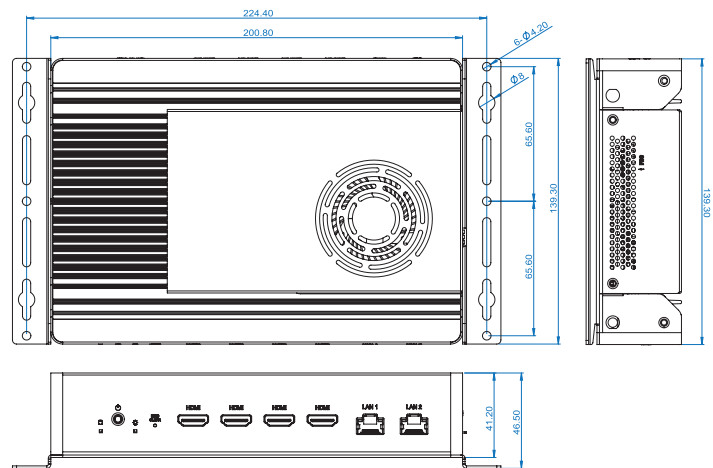
Specifications

System Mainboard	MBD654
CPU	11th Gen Intel® Core™ / Celeron® U-series (TGL-U Platform) processor TDP <= 15W
CPU Socket	BGA-1449
Chipset	Integrated
Memory	2x DDR4-3200 SO-DIMM, Max. 64GB
Graphics	11th Gen Intel® Core™ U-series Gen12 integrated graphics, Up to 96UE
LAN	1st LAN SI-654-N7 or SI-654-N5 : Intel® I219LM SI-654-N3 : Intel® I219V 2nd LAN Intel® I211AT
Expansion Slots	1x M.2 E-key (2230) 1x M.2 B-key (3042) 1x UIM/SIM card slot
I/O Interface	4x HDMI 2.0 1x USB 2.0 (USB A-Type) 3x USB 3.1 @gen 2 (USB A-Type) 2x RJ45 for Gigabit LAN 1x RJ45 for RS232 serial port 1x Audio connector for Line-out 1x Power button 1x Power jack (+12V DC) 2x LED for power & storage
Auto Control and Monitoring	Watchdog Timer: 256 segments, 0, 1, 2...255 (sec/min)
Power Requirement	+12V DC
Construction	Aluminum + SGCC
Weight	1.8 kgs (3.7 lbs)
Chassis Color	Black & White
Storage	1x M.2 M-key (2280) supports NVMe (PCI-E x4 / SATA)
Power Supply	84W power adaptor
Mounting	Standard system bracket
Dimensions	200.8mm(W) x 139.3mm(D) x 41.2mm(H) 7.90"(W) x 5.48"(D) x 1.62"(H)
Operating Temperature	0°C ~ 45°C (32°F ~ 113°F)
Storage Temperature	-20° ~ 80°C (-4°F ~ 176°F)
Relative Humidity	10%~90% (non-condensing)
Vibration	M.2: 5 grms / 5~500Hz / random operation
Certification	CE, FCC Class B, cULus & CCC
Operating System	Windows 10 IoT Enterprise R55 64-bit Linux Ubuntu 64-bit

Ordering Information

SI-654-I7	Intel® Core™ i7-1185G7E Processor (12M Cache, up to 4.40 GHz), 2x 4GB DDR4 3200 SO-DIMM, M.2 128GB and 84W power adaptor, TDP <= 15W
SI-654-I5	Intel® Core™ i5-1145G7E Processor (12M Cache, up to 4.40 GHz), 2x 4GB DDR4 3200 SO-DIMM, M.2 128GB and 84W power adaptor, TDP <= 15W
SI-654-I3	Intel® Core™ i3-1115G4E Processor (12M Cache, up to 4.40 GHz), 2x 4GB DDR4 3200 SO-DIMM, M.2 128GB and 84W power adaptor, TDP <= 15W
SI-MK3	VESA bracket

Dimensions



SI-654-N

Mid-Range Signage Player

11th Gen Intel® Core™ U-Series Processor Fanless Signage Player with Intel® Integrated Graphics and Four HDMI 2.0



Features

- iSMART intelligent energy-saving & Observer remote monitoring technologies
- 11th Gen Intel® Core™ U-series processor
- 4x HDMI 2.0 with independent Audio output support
- Built-in CEC and hardware EDID emulation functions with the software setting mode
- 2x DDR4-3200 SO-DIMM, dual channel, Max. 64GB
- 1x M.2 B-Key (3042) for 4G LTE options
- 1x M.2 E-key (2230) for Wi-Fi, Bluetooth or capture card options
- 1x M.2 M-Key (2280) for storage
- Supports Intel® iAMT(11.0), TPM 2.0 and watchdog timer
- Industrial-grade robust Fanless design

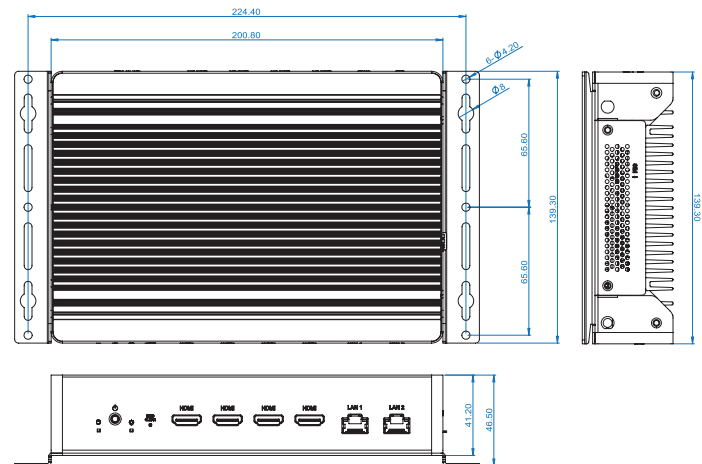
Specifications

System Mainboard	MBD654
CPU	11th Gen Intel® Core™ / Celeron® U-series (TGL-U Platform) processor TDP <= 15W
CPU Socket	BGA-1449
Chipset	Integrated
Memory	2x DDR4-3200 SO-DIMM, Max. 64GB
Graphics	11th Gen Intel® Core™ U-series Gen12 integrated graphics, Up to 96EU
LAN	1st LAN SI-654-N7 or SI-654-N5 : Intel® I219LM SI-654-N3 : Intel® I219V 2nd LAN Intel® I211AT
Expansion Slots	1x M.2 E-key (2230) 1x M.2 B-key (3042) 1x UIM/SIM card slot
I/O Interface	4x HDMI 2.0 1x USB 2.0 (USB A-Type) 3x USB 3.1 @gen 2 (USB A-Type) 2x RJ45 for Gigabit LAN 1x RJ45 for RS232 serial port 1x Audio connector for Line-out 1x Power button 1x Power jack (+12V DC) 2x LED for power & storage
Auto Control and Monitoring	Watchdog Timer: 256 segments, 0, 1, 2...255 (sec/min)
Power Requirement	+12V DC
Construction	Aluminum + SGCC
Weight	1.7 kgs (3.7 lbs)
Chassis Color	Black & White
Storage	1x M.2 M-key (2280) supports NVMe
Power Supply	84W power adaptor
Mounting	Standard system bracket
Dimensions	200.8mm(W) x 139.3mm(D) x 41.2mm(H) 7.90"(W) x 5.48"(D) x 1.62"(H)
Operating Temperature	0°C~ 45°C (32°F~113°F)
Storage Temperature	-20° ~ 80°C (-4°F~176°F)
Relative Humidity	10%~90% (non-condensing)
Vibration	M.2: 5 grms / 5~500Hz / random operation
Certification	CE, FCC Class B, cULus & CCC
Operating System	Windows 10 IoT Enterprise RS5 64-bit Linux Ubuntu 64-bit

Ordering Information

SI-654-N7	Intel® Core™ I7-1185G7E Processor (12M Cache, up to 4.40 GHz), 2x 4GB DDR4 3200 SO-DIMM, M.2 128GB and 84W power adaptor, TDP <= 15W
SI-654-N5	Intel® Core™ I5-1145G7E Processor (12M Cache, up to 4.40 GHz), 2x 4GB DDR4 3200 SO-DIMM, M.2 128GB and 84W power adaptor, TDP <= 15W
SI-654-N3	Intel® Core™ I3-1115G4E Processor (12M Cache, up to 4.40 GHz), 2x 4GB DDR4 3200 SO-DIMM, M.2 128GB and 84W power adaptor, TDP <= 15W
SI-MK3	VESA bracket

Dimensions



SI-642-N

Mid-Range Signage Player

8th Gen Intel® Core™ U-Series Processor Fanless Signage Player with Intel® UHD Graphics 620 and one HDMI & DP



Specifications

System Mainboard	MBD642
CPU	8th Gen Intel® Core™ mobile processor TDP <= 25W
CPU Socket	FCBGA1528
Chipset	Integrated
Memory	2x SO-DIMM DDR4 2400Hz, Max. 32GB
Graphics	Intel® UHD Graphics 620
LAN	1x Intel® I219LM Gigabit LAN 1x Intel® I211AT Gigabit LAN
Expansion Slots	1x B-Key (3042) 1x E-key (2230)
I/O Interface	1x HDMI 2.0 1x DisplayPort 4x USB 3.1 (Gen2) 2x RJ45 for Gigabit LAN 1x RJ45 for RS232 serial port
Auto Control and Monitoring	Watchdog Timer: 256 segments, 0, 1, 2...255 (sec/min)
Power Requirement	+12V DC
Construction	Aluminum + SGCC
Weight	TBD
Chassis Color	Black & White
Storage	1x M.2 E-key (2280)
Power Supply	60W power adaptor
Mounting	Standard system bracket
Dimensions	175mm(W) x 116mm(D) x 30mm(H) 6.88"(W) x 4.56"(D) x 1.18"(H)
Operating Temperature	0°C ~ 45°C (32°F ~ 113°F)
Storage Temperature	-20° ~ 80°C (-4°F ~ 176°F)
Relative Humidity	10%~90% (non-condensing)
Vibration	M.2: 5 grms / 5~500Hz / random operation
Certification	CE, FCC Class B, cULus & CCC
Operating System	Windows 10 IoT Enterprise RS5 64-bit Linux Ubuntu 64-bit

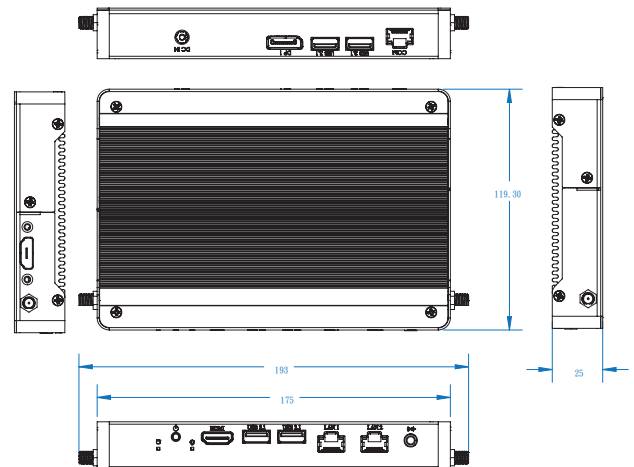
Features

- iSMART intelligent energy-saving & Observer remote monitoring technologies
- 8th Gen Intel® Core™ U-series processor
- 1x HDMI 2.0 + 1x Active DisplayPort 1.2 with independent Audio output
- 2x DDR4 2400 SO-DIMM, dual channel, Max. 32GB
- 1x M.2 B-Key (3042) for 4G LTE options
- 1x M.2 E-key (2230) for Wi-Fi or Bluetooth card options
- 1x M.2 M-key (2280) for storage
- TPM 2.0, vPro and watchdog timer
- Slim & compact fanless design

Ordering Information

SI-642-N1	Intel® Core™ i7-8665UE Processor (8M Cache, up to 4.40 GHz), 2x 4GB DDR4 2400 SO-DIMM, M.2 128GB and 60W power adaptor
SI-642-N8365T	Intel® Core™ i5-8365UE Processor (6M Cache, up to 4.10 GHz), 2x 4GB DDR4 2400 SO-DIMM, M.2 128GB and 60W power adaptor
SI-642-N8145T	Intel® Core™ i3-8145UE Processor (4M Cache, up to 3.90 GHz), 2x 4GB DDR4 2400 SO-DIMM, M.2 128GB and 60W power adaptor
SI-642-N4305T	Intel® Celeron® Processor 4305UE (2M Cache, 2.00 GHz), 2x 4GB DDR4 2400 SO-DIMM, M.2 128GB and 60W power adaptor
SI-MK3C	VESA bracket

Dimensions



SI-623-N

Mid-Range Signage Player

7th/6th Gen Intel® Core™ Mobile Processor Fanless Signage Player with Intel® HD Graphics 530 and Three HDMI



SI-623-N VIDEO



Features

- iSMART intelligent energy-saving & Observer remote monitoring technologies
- iAMT(11.0), TPM1.2, vPro and watchdog timer
- 7th/6th Gen Intel® Core™ mobile processor
- Integrated Intel® HD graphics 530
- 2x DDR4-2133 SO-DIMM, dual channel, Max. 32GB
- 1x HDMI 2.0 + 2x HDMI 1.4 with independent Audio output
- Built-in hardware EDID emulation function
- 1x M.2 B-key (3042) for storage or 4G LTE options
- 1x M.2 M-Key (2280) for storage
- 1x Mini PCI-E (full-size) for Wi-Fi, Bluetooth or 4G LTE
- Compact and fanless design

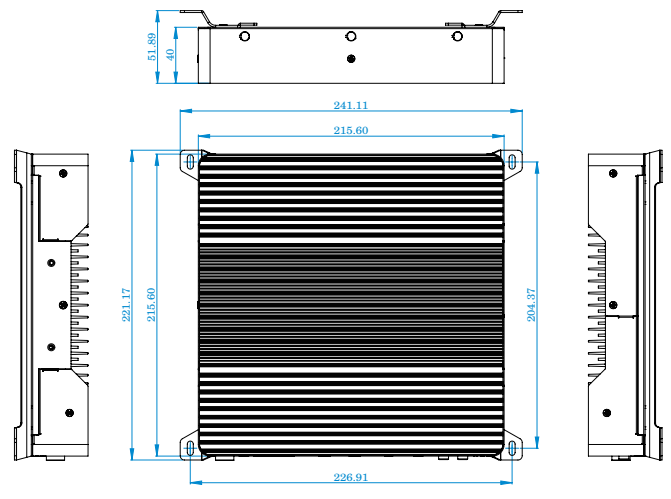
Specifications

System Mainboard	MBD623
CPU	7th/6th Gen Intel® Core™ mobile processor TDP <=35W
CPU Socket	FCBGA1440
Chipset	HM170/ QM170 PCH
Memory	2x DDR4-2133 SO-DIMM, dual channel, Max. 32GB
Graphics	Integrated Intel® HD graphics 530
LAN	1x Intel® I219LM Gigabit LAN controller for QM170 1x Intel® I219V Gigabit LAN controller for HM170
Expansion Slots	1x M.2 B-key (3042) 1x M.2 M-Key (2280) 1x Mini PCI-E (full-size) 1x SIM card slot
I/O Interface	1x HDMI 2.0 + 2x HDMI 1.4 with hardware EDID emulation 2x USB 3.0, 2x USB 2.0 1x RJ45 for Gigabit LAN 1x RJ45 for RS-232 serial port 2x Audio connectors for Line-out/Mic-in Power / HDD LED 1x Power button 1x Power jack connector
Auto Control and Monitoring	Watchdog Timer: 256 segments, 0, 1, 2...255 (sec/min)
Power Requirement	+12V DC
Construction	Aluminum + SGCC
Weight	2.4 kgs (5.29 lbs)
Chassis Color	Black and white
Storage	1x 2.5" SATA HDD/SSD
Power Supply	84W power adaptor
Mounting	Slim design with wall mounting holes
Dimensions	215.6mm(W) x 215.6mm(D) x 40mm(H) 8.49"(W) x 8.49"(D) x 1.57"(H)
Operating Temperature	0°C~ 45°C (32°F~113°F)
Storage Temperature	-20°C ~ 80°C (-4°F~176°F)
Relative Humidity	5%~90% @45°C (non-condensing)
Vibration	SSD: 5 grms / 5~500Hz / random operation
Certification	CE, FCC Class B, VCCI, cULus & CCC
Operating System	Win7 64-bit, Win8.1 64-bit & Win10 64-bit Enterprise, Linux Fedora / Ubuntu 64-bit (Installation)

Ordering Information

SI-623-N	Book-Size Signage Player with MBD623 Intel® Core™ i7-6822EQ Processor (8M Cache, up to 2.80 GHz), 2x 4GB DDR4 2133 SO-DIMM, 2.5" SATA SSD 128GB and 84W power adaptor
SI-MK3A	Mounting bracket for SI-304/SI-122-N/SI-313/SI-313-N/SI-324/SI-613/SI-623 series

Dimensions



SI-613

Mid-Range Signage Player

7th/6th Gen Intel® Core™ Desktop Processor Signage Player with Intel® HD Graphics 530 and Three HDMI



SI-613 VIDEO



Features

- iSMART intelligent energy-saving & Observer remote monitoring technologies
- iAMT (11.0), TPM 1.2, vPro and watchdog timer
- 7th/6th Gen Intel® Core™ processors
- Integrated Intel® HD graphics 530
- 3x HDMI 2.0 with independent Audio output support
- Built-in hardware EDID emulation function
- 2x DDR4-2133 SO-DIMM, dual-channel, Max. 32GB
- 1x M.2 B-key (3042) for storage or 4G LTE option
- 1x Mini PCI-E (full-size) for Wi-Fi, Bluetooth or 4G LTE

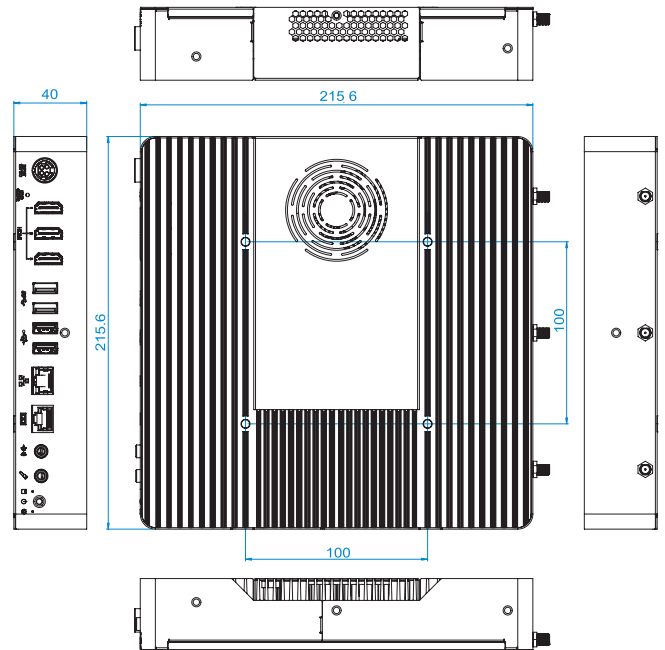
Specifications

System Mainboard	MBD613
CPU	7th/6th Gen Intel® processors (14nm monolithic) TDP <=65W
CPU Socket	LGA1151(Socket H4)
Chipset	H170/Q170 PCH
Memory	2x DDR4-2133 SO-DIMM, Dual channel, Max. 32GB
Graphics	Integrated Intel® HD graphics 530
LAN	1x Intel® I219LM Gigabit LAN controller for Q170 1x Intel® I219V Gigabit LAN controller for H170
Expansion Slots	1x M.2 B-key (3042) 1x Mini PCI-E (full-size) 1x SIM card slot
I/O Interface	3x HDMI 2.0 with hardware EDID emulation 2x USB 3.0 2x USB 2.0 1x RJ45 for Gigabit LAN 1x RJ45 for RS-232 serial port 2x Audio connectors for Line-out/Mic-in Power / HDD LED 1x Power button 1x Power jack connector
Auto Control and Monitoring	Watchdog Timer: 256 segments, 0,1,2...255 (sec/min)
Power Requirement	+12V DC
Construction	Aluminum + SGCC
Weight	2.2 kgs (4.85 lbs)
Chassis Color	Black & white
Storage	1x M.2 M-Key (2280)
Power Supply	150W power adaptor
Mounting	Slim design with wall mounting holes
Dimensions	215.6mm(W) x 215.6mm(D) x 40mm(H) 8.49"(W) x 8.49"(D) x 1.57"(H)
Operating Temperature	0°C ~ 45 °C (32 ~ 113 °F) (CPU TDP <=45W) 0°C ~ 40°C (32°F~104°F) (CPU TDP=65W)
Storage Temperature	-20°C ~ 80°C (-4°F~176°F)
Relative Humidity	5~90% @ 45°C, (non-condensing)
Vibration	M.2: 5 grms / 5~500Hz / random operation
Certification	CE, FCC Class B, cULus & CCC
Operating System	Win7 32/64-bit, Win8.1 64-bit, Win10 64-bit Enterprise

Ordering Information

SI-613-QT	Book-Size Signage Player with MBD613-QT (Q170) with Intel® Core™ i7-6700 processor (8M Cache, up to 4.00 GHz), 2x 4GB DDR4 2133 SO-DIMM, M.2 64GB & 150W power adaptor
SI-MK3A	Mounting bracket for SI-304/SI-122-N/SI-313/SI-313-N/SI-324/SI-613/SI-623 series

Dimensions





Features

- iSMART intelligent energy-saving & Observer remote monitoring technologies
- AMD Ryzen™ Embedded V2000 series
- Vega GPU with up to 7 Compute Units
- 4x HDMI 2.0 with independent Audio output support
- Built-in CEC and hardware EDID emulation functions with the software setting mode
- 2x DDR4-3200 SO-DIMM, dual channel, Max. 64GB
- 1x M.2 B-Key (3052) for 5G or 4G LTE options
- 1x M.2 E-Key (2230) for Wi-Fi and Bluetooth options
- 1x M.2 M-Key (2280) for storage
- Supports TPM 2.0 and watchdog timer
- Segregated flow ventilation design

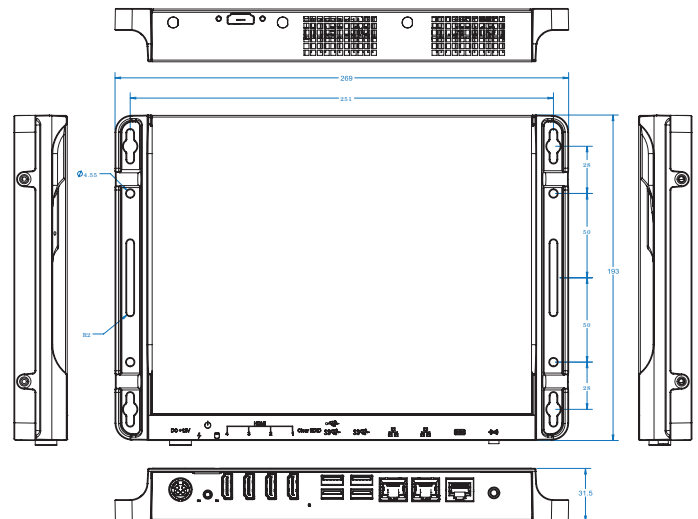
Specifications

System Mainboard	MBD334
CPU	AMD Ryzen™ Embedded V2000 series
CPU Socket	FP6 BGA package, 25mm x 35mm
Chipset	AMD integrated SoC
Memory	2x DDR4-3200, SO-DIMM, Dual channel, Max. 64GB
Graphics	Next-gen AMD Vega GPU integrated
LAN	2x Realtek RTL8111H Gigabit LAN controller
Expansion Slots	1x M.2 E-key (2230) 1x M.2 B-key (3052) 1x UIM/SIM card slot
I/O Interface	4x HDMI 2.0 with hardware EDID emulation & CEC function 3x USB 3.1 @gen 2 (USB Type-A) 2x RJ45 for Gigabit LAN 1x RJ45 for RS-232 serial port 1x Audio connector for Line-out 1x Power button 1x Power jack (+12V DC) 2x LED for power & storage
Auto Control and Monitoring	Watchdog Timer: 256 segments, 0, 1, 2...255 (sec/min)
Power Requirement	+12V DC-in
Construction	Aluminum + SGCC
Weight	2.1 kgs (4.63 lbs)
Chassis Color	Black & white
Storage	1x M.2 M-Key (2280)
Power Supply	150W power adaptor
Mounting	Slim design with wall mounting holes
Dimensions	269mm(W) x 193mm(D) x 31.5mm(H) 10.59"(W) x 7.59"(D) x 1.24"(H)
Operating Temperature	0°C ~ 45°C (32°F ~ 113°F)
Storage Temperature	-20°C ~ 80°C (-4°F ~ 176°F)
Relative Humidity	10% ~ 90% (non-condensing)
Vibration	M.2: 5 grms / 5~500Hz / random operation
Certification	CE, FCC Class B, cULus & CCC
Operating System	Win10 IoT Enterprise 64-bit Linux Ubuntu 64-bit

Ordering Information

SI-334	Signage Player with MBD334 w/ AMD Ryzen™ Embedded V2748B 4.155GHz/2.9GHz; 2x 4GB DDR4 3200 SO-DIMM, M.2 128GB, 150W power adaptor (RoHS)
SI-MK3A	Mounting bracket for SI-304/SI-122-N/SI-313/SI-313-N/SI-324/SI-613/SI-623/SI-334 series
SI-1U-AD	1U Rackmount kit
HDMI Cable Holder	SI-334 HDMI bracket kit

Dimensions





SI-324 VIDEO



Features

- iSMART intelligent energy-saving & Observer remote monitoring technologies
- AMD Ryzen™ Embedded V1000 series
- Vega GPU with up to 11 Compute Units
- 4x HDMI 2.0 with independent Audio output support
- Built-in hardware EDID emulation function with the software setting mode
- 2x DDR4-2400 SO-DIMM, dual channel, Max. 32GB
- 1x Mini PCI-E (full-size) for Wi-Fi, Bluetooth, 4G LTE or capture card options
- 1x M.2 E-Key (2230) for Wi-Fi and Bluetooth options
- 1x M.2 M-Key (2280) for storage
- Segregated flow ventilation design

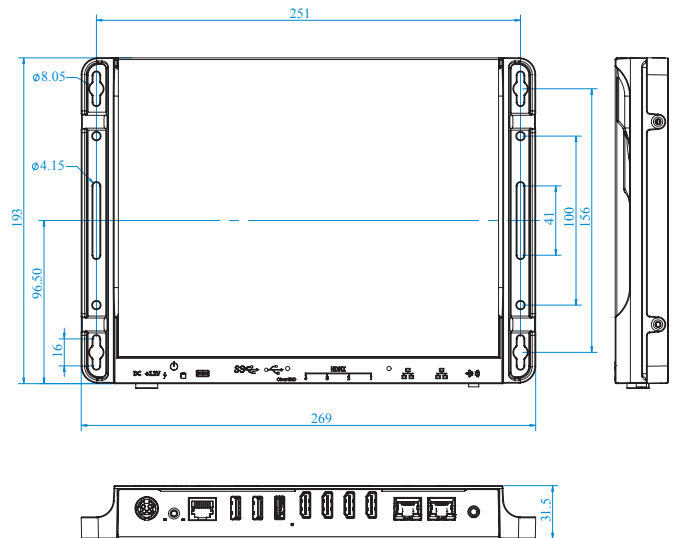
Specifications

System Mainboard	MBD324
CPU	AMD Ryzen™ Embedded V1000 series
CPU Socket	FP5 BGA package, 37x29mm
Chipset	AMD integrated SoC
Memory	2x DDR4-2400 SO-DIMM, Dual channel, Max. 32GB
Graphics	Next-gen AMD Vega GPU integrated
LAN	2x Realtek RTL8111H Gigabit LAN controller
Expansion Slots	1x Mini PCI-E (full-size) 1x M.2 E-Key (2230) 1x SIM card slot
I/O Interface	4x HDMI 2.0 with hardware EDID emulation 2x USB 3.0, 1x USB 2.0 2x RJ45 for Gigabit LAN 1x RJ45 for RS-232 serial port 1x Audio connectors for Line-out Power / HDD LED 1x Power button 1x Power jack connector
Auto Control and Monitoring	Watchdog Timer: 256 segments, 0, 1, 2...255 (sec/min)
Power Requirement	+12V DC-in
Construction	Aluminum + SGCC
Weight	2.1 kgs (4.63 lbs)
Chassis Color	Black & white
Storage	1x M.2 M-Key (2280)
Power Supply	150W power adaptor
Mounting	Slim design with wall mounting holes
Dimensions	269mm(W) x 193mm(D) x 31.5mm(H) 10.59"(W) x 7.59"(D) x 1.24"(H)
Operating Temperature	0°C ~ 45°C (32°F ~ 113°F)
Storage Temperature	-20°C ~ 80°C (-4°F ~ 176°F)
Relative Humidity	10%~90% (non-condensing)
Vibration	M.2: 5 grms / 5~500Hz / random operation
Certification	CE, FCC Class B, cULus & CCC
Operating System	Win10 IoT Enterprise 64-bit Linux Ubuntu 64-bit

Ordering Information

SI-324	Signage Player with MBD324 w/ AMD Ryzen™ Embedded V1807B 3.35GHz/3.8GHz ; 2x 4GB DDR4 2400 SO-DIMM, M.2 128GB, 150W power adaptor (RoHS)
SI-324-16	Signage Player with MBD324 w/ AMD Ryzen™ Embedded V1605B 2.0GHz/3.6GHz ; 2x 4GB DDR4 2400 SO-DIMM, M.2 128GB, 150W power adaptor (RoHS)
SI-MK3A	Mounting bracket for SI-304/SI-122-N/SI-313/SI-313-N/SI-324/SI-613/SI-623 series
SI-1U-AD	1U Rackmount kit
HDMI Cable Holder	SI-304/SI-324 HDMI bracket kit

Dimensions



SI-324-N

Mid-Range Signage Player

AMD Ryzen™ Embedded R2000/V1605B/1202B Series Fanless Signage Player with AMD Vega GPU and Four HDMI



Features

- iSMART intelligent energy-saving & Observer remote monitoring technologies
- AMD Ryzen™ Embedded V-series
- Vega GPU with up to 8 Compute Units
- 4x HDMI 2.0 with independent Audio output support
- Built-in hardware EDID emulation function with software setting mode
- 2x DDR4-2400 SO-DIMM, dual channel, Max. 32GB
- 1x Mini PCI-E (full-size) for Wi-Fi, Bluetooth, 4G LTE and capture card options
- 1x M.2 E-Key (2230) for Wi-Fi and Bluetooth options
- 1x M.2 M-Key (2280) for storage
- Compact and fanless design

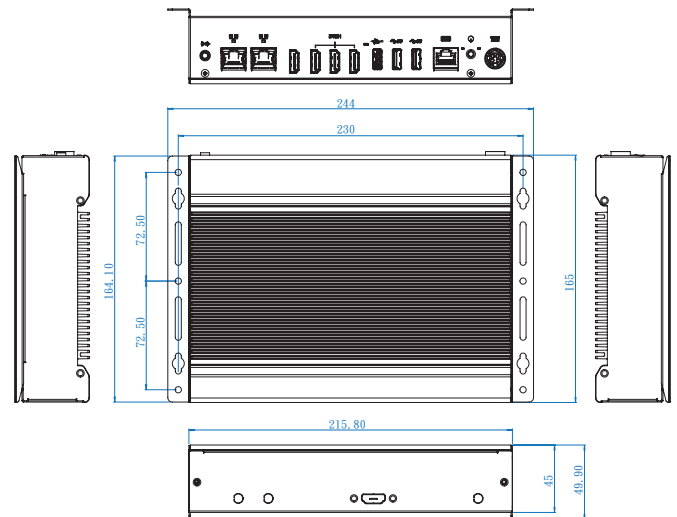
Specifications

System Mainboard	MBD324
CPU	AMD Ryzen™ Embedded V1605B 2.0GHz/3.6GHz
CPU Socket	FP5 BGA package, 35mm x 25mm, 0.8mm pitch
Chipset	AMD integrated SoC
Memory	2x DDR4-2400 SO-DIMM, Dual channel, Max. 32GB
Graphics	Next-Gen AMD Radeon™ HD GPU integrated
LAN	2x Realtek RTL8111H Gigabit LAN controller
Expansion Slots	1x Mini PCI-E (full-size) 1x M.2 E-Key (2230) 1x SIM card slot
I/O Interface	4x HDMI 2.0 with hardware EDID emulation 2x USB 3.0, 1x USB 2.0 2x RJ45 for Gigabit LAN 1x RJ45 for RS-232 serial port 1x Audio connectors for Line-out Power / HDD LED 1x Power button 1x Power jack connector
Auto Control and Monitoring	Watchdog Timer: 256 segments, 0, 1, 2...255 (sec/min)
Power Requirement	+12V DC-in
Construction	Aluminum + SGCC
Weight	1.5kgs (3.31lbs)
Chassis Color	Black & white
Storage	1x M.2 M-Key (2280) (SATA signal only)
Power Supply	84W power adaptor
Mounting	Standard system bracket
Dimensions	215.8mm(W) x 164mm(D) x 45mm(H) 8.49"(W) x 6.45"(D) x 1.77"(H)
Operating Temperature	0°C ~ 45°C (32°F~113°F)
Storage Temperature	-20°C to 80°C (-4°F~167°F)
Relative Humidity	10%~90% (non-condensing)
Vibration	M.2: 5 grms / 5~500Hz / random operation
Certification	CE, FCC Class B, cULus & CCC
Operating System	Win10 IoT Enterprise 64-bit Linux Ubuntu 64-bit

Ordering Information

SI-324-N	Signage Player with MBD324 w/ AMD Ryzen™ Embedded V1605B 2.0GHz/3.6GHz; 2x 4GB DDR4 2400 SO-DIMM memory, M.2 128GB, 84W power adaptor (RoHS)
----------	--

Dimensions



SI-323-N

Mid-Range Signage Player

AMD Ryzen™ Embedded R1000 Series Fanless Digital Signage Player with AMD Vega GPU and Three HDMI



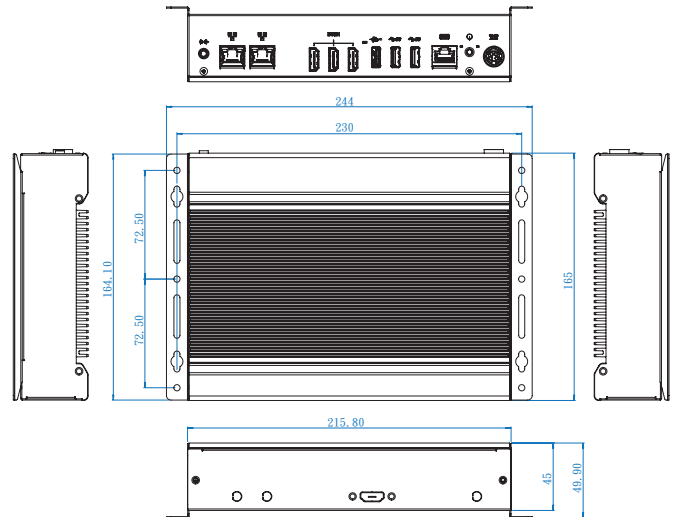
Features

- iSMART intelligent energy-saving & Observer remote monitoring technologies
- AMD Ryzen™ Embedded R-series
- Vega GPU with up to 3 Compute Units
- 3x HDMI 2.0 with independent Audio output support
- Built-in hardware EDID emulation function with software setting mode
- 2x DDR4-2400 SO-DIMM, dual channel, Max. 32GB
- 1x Mini PCI-E (full-size) for Wi-Fi, Bluetooth, 4G LTE or capture card options
- 1x M.2 E-Key (2230) for Wi-Fi, Bluetooth, capture card options
- 1x M.2 M-Key (2280) for storage
- Compact and fanless design

Ordering Information

SI-323-N	Signage Player with MBD323 w/ AMD Ryzen™ Embedded R1606G 2.6GHz/3.5GHz; 2x 4GB DDR4 2400 SO-DIMM memory, M.2 128GB, 84W power adaptor (RoHS)
----------	--

Dimensions



Specifications

System Mainboard	MBD323
CPU	AMD Ryzen™ Embedded R1606G 2.6GHz/3.5GHz
CPU Socket	FP5 BGA package, 35mm x 25mm, 0.8mm pitch
Chipset	AMD integrated SoC
Memory	2x DDR4-2400 SO-DIMM, Dual channel, Max. 32GB
Graphics	Next-Gen AMD Radeon™ HD GPU integrated
LAN	2x Realtek RTL8111H Gigabit LAN controller
Expansion Slots	1x Mini PCI-E (full-size) 1x M.2 E-Key (2230) 1x SIM card slot
I/O Interface	3x HDMI 2.0 with hardware EDID emulation 2x USB 3.0, 1x USB 2.0 2x RJ45 for Gigabit LAN 1x RJ45 for RS-232 serial port 1x Audio connectors for Line-out Power / HDD LED 1x Power button 1x Power jack connector
Auto Control and Monitoring	Watchdog Timer: 256 segments, 0, 1, 2...255 (sec/min)
Power Requirement	+12V DC-in
Construction	Aluminum + SGCC
Weight	1.5kgs (3.31lbs)
Chassis Color	Black & white
Storage	1x M.2 M-Key (2280) (SATA signal only)
Power Supply	84W power adaptor
Mounting	Standard system bracket
Dimensions	215.8mm(W) x 164mm(D) x 45mm(H) 8.49"(W) x 6.45"(D) x 1.77"(H)
Operating Temperature	0°C ~ 45°C (32°F~113°F)
Storage Temperature	-20°C to 80°C (-4°F~167°F)
Relative Humidity	10%~90% (non-condensing)
Vibration	M.2: 5 grms / 5~500Hz / random operation
Certification	CE, FCC Class B, cULus & CCC
Operating System	Win10 IoT Enterprise 64-bit Linux Ubuntu 64-bit

SI-12 / SI-12-J19

Outdoor Signage Player

Intel® Atom® Processor E3845 or Celeron® Processor J1900
Fanless Signage Player with Intel® Gen7 Graphics and Dual HDMI



Specifications

System Mainboard	IB812
CPU	SI-12: Intel® Atom™ E3845 Quad-Core 1.9 GHz SI-12-J19: Intel® Celeron® J1900 Quad-Core 2.0 GHz
CPU Socket	FCBGA 1170 BGA -- aka Atom® "Type 3" (25mm x 27mm)
Chipset	SoC Integrated
Memory	2x DDR3L-1333 SO-DIMMs, dual-channel, Max. 8GB (Non-ECC)
Graphics	Intel® HD graphics (Gen 7-LP) 4EU
LAN	1x Realtek RTL8111H-CG Gigabit LAN controller
Expansion Slots	1x Mini PCI-E (full-size) for Wi-Fi, Bluetooth or 4G options 1x UIM/SIM card slot
I/O Interface	2x HDMI 1.4a 1x USB 3.0 port, 2x USB 2.0 1x RJ45 for Gigabit LAN 1x RJ45 for RS232 serial port 2x Audio connectors for Line-in / Line-out Power / HDD LED 1x Power button 1x DC jack
Auto Control and Monitoring	Watchdog Timer: 256 segments, 0, 1, 2...255 sec/min
Power Requirement	+12V DC-in
Construction	Aluminum + SGCC
Weight	0.8 kgs (1.76 lbs)
Chassis Color	Black & white
Storage	1x mSATA
Power Supply	60W power adaptor
Mounting	Standard system bracket
Dimensions	190mm(W) x 130mm(D) x 19.5mm(H) 7.48"(W) x 5.12"(D) x 0.77"(H)
Operating Temperature	-30°C ~ 60°C (-22°F ~ 140°F) for SI-12 0°C ~ 45°C (32°F ~ 113°F) for SI-12-J19
Storage Temperature	-40°C ~ 80°C (-40°F ~ 176°F)
Relative Humidity	5~90% @ 45°C, (non-condensing)
Vibration	mSATA: 5 grms / 5~500Hz / random operation
Certification	CE, FCC class B, VCCI class B, cULus & CCC
Operating System	Win7 32/64-bit, Win8, Win8.1, WEI8.1, WEC 2013, Win10 32/64-bit Enterprise

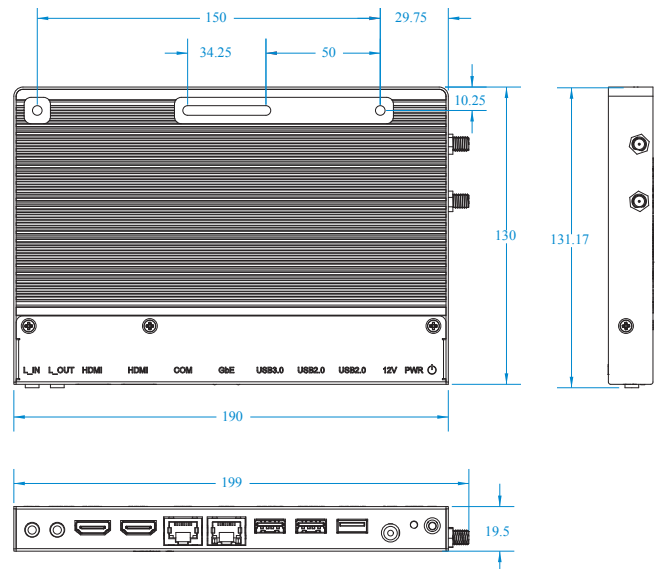
Features

- iSMART intelligent energy-saving & Observer remote monitoring technologies
- Intel® Atom™ E3845 Quad-Core 1.9 GHz or Celeron® J1900 Quad-Core 2.0 GHz Processor
- Intel® HD graphics (Gen 7-LP) 4EU
- 2x DDR3L-1333 SO-DIMM, dual-channel, Max. 8GB
- 2x HDMI 1.4a
- 1x Mini PCI-E (full-size) for Wi-Fi, Bluetooth or 4G LTE options
- Fanless, super slim and compact design
- Wide-range operating temperature from -30°C to 60°C

Ordering Information

SI-12	Signage Player with Intel® Atom® E3845 SoC (22nm); Quad-Core 1.91GHz, 4GB SO-DIMM RAM, 64GB mSATA, and 60W power adaptor
SI-12-J19	Signage Player with Intel® Celeron® J1900 (22nm); Quad-Core 2GHz, 4GB SO-DIMM, 64GB mSATA, and 60W power adaptor (Operating temperature 0°C~45°C)
SI-MK1	Mounting bracket for SI-06/08/12/18/22 series
SI-1U-AD	1U Rackmount kit
HDMI Cable Holder	SI-12 HDMI bracket kit
Power Cable Holder	Bracket w/o rubber for SI-12 power button

Dimensions





Specifications

System Mainboard	IB922
CPU	AMD G-Series; Quad-Core GX-415GA 1.5GHz
CPU Socket	FT3 BGA package
Chipset	SoC Integrated
Memory	1x DDR3 1600 MHz SO-DIMM, Max. 8GB (Non-ECC)
Graphics	AMD Radeon™ HD8330E graphics integrated in APU <ul style="list-style-type: none"> • DirectX 11.1 • Direct Compute 11 • Open GL 4.0 • OpenCL 1.1 • UVD4.2 hardware Video Decoder –H.264, MPEG-2, VC-1, MPEG4 (DivX), and WMV • VCE 2.0 –Video conferencing, wireless display. H.264, SVC
LAN	1x Realtek RTL8111DP Gigabit LAN controller
Expansion Slots	1x Mini PCI-E (full-size) 1x SIM card slot
I/O Interface	2x HDMI 1.4a 2x USB 3.0 ports 1x USB 2.0 port 1x RJ45 for LAN 1x RJ45 for RS232 2x Audio connectors for Line-in / Line-out Power LED 1x Power button 1x DC jack
Auto Control and Monitoring	Watchdog Timer: 256 segments, 0, 1, 2...255 (sec/min)
Power Requirement	+12V DC-in
Construction	Aluminum + SGCC
Weight	0.9 kgs (1.98 lbs)
Chassis Color	Black & white
Storage	1x mSATA
Power Supply	60W power adaptor
Mounting	Standard system bracket
Dimensions	190mm(W) x 130mm(D) x 19.5mm(H) 7.48"(W) x 5.12"(D) x 0.77"(H)
Operating Temperature	0°C ~ 45°C (32°F ~ 113°F)
Storage Temperature	-20°C ~ 80°C (-4°F ~ 176°F)
Relative Humidity	5~90% @ 45°C, (non-condensing)
Vibration	mSATA: 5 grms / 5~500Hz / random operation
Certification	CE, FCC Class B, VCCI Class B, cULus & CCC
Operating System	Windows® 7 (32/64-bit), Windows 8.1† (32/64-bit) Windows 10 (64-bit), Windows 10 IoT Enterprise (64-bit) Window Embedded Standard 7 (32/64-bit) Window Embedded Standard 8 (32/64-bit) Linux Closed Source (64-bit), Linux Open Source (64-bit)

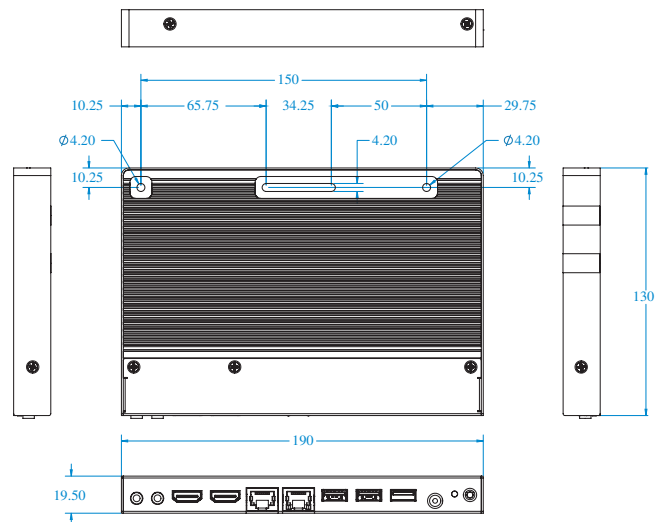
Features

- iSMART intelligent energy-saving & Observer remote monitoring technologies
- 2nd Gen AMD Embedded G-Series SoC APU series
- Integrated 80 Core™ DirectX 11.1 GPU in processor
- 2x HDMI 1.4a
- 1x DDR3-1600 SO-DIMM, single channel, Max. 8GB
- 1x Mini PCI-E (full-size) for Wi-Fi, Bluetooth or 4G LTE options
- Fanless, super slim and compact design

Ordering Information

SI-22-415	Signage Player with G-Series Quad-Core 1.5GHz APU, 4GB DDR3 SO-DIMM, 64GB mSATA, 60W power adaptor
SI-MK1	Mounting bracket for SI-06/08/12/18/22 series
SI-1U-AD	1U Rackmount kit
HDMI Cable Holder	SI-22 HDMI bracket kit

Dimensions



SW-601-N

Outdoor / Waterproof Signage Player

11th Gen Intel® Core™ / Celeron® U-series Waterproof Fanless Signage Player with One HDMI



Features

- iSMART intelligent energy-saving & Observer remote monitoring technologies
- Intel® Intel® 11th Gen Intel® Core™ / Celeron® U-series CPU
- 2x DDR4-3200 SO-DIMM, Max. 64GB
- Intel® Processor integrated graphics device, supports 1x HDMI port (C3 connector)
- 2x USB 2.0, 1x RS232, 1x Digital I/O (M12 connector)
- 1x M.2 E-Key (2230) for Wi-Fi and Bluetooth capture card options
- 1x M.2 B-Key (3052) for 5G
- TPM 2.0, vPro and watchdog timer
- -40°C ~ 75°C wide-range operating temperature
- Waterproof, fanless design with IP68 rating

Specifications

System Mainboard	MBD601
CPU	11th Gen Intel® Core™ / Celeron® U-series (TGL-U Platform) processor TDP<=28W
CPU Socket	Integrated in Intel® SoC
Memory	2x DDR4-3200 SO-DIMM, Max. 64GB
Graphics	11th Gen Intel® Core™ U-series Gen12 integrated graphics, Up to 96EU
LAN	1x Intel® I219LM PCI-E Gigabit LAN controller
Expansion Slots	1x M.2 E-Key 1x M.2 B-Key 1x UIM/SIM card slot
I/O Interface	1x HDMI (C3 connector) 2x USB 2.0 (M12 connector) 1x Gigabit LAN (M12 connector) 1x RS232 (M12 connector) 1x DC power (M12 connector) 2x N jack type antenna opening w/ waterproof design 1x DIO (M12 connector)
Auto Control and Monitoring	Watchdog Timer: 256 segments, 0, 1, 2...255 (sec/min)
Power Requirement	+12V DC
Construction	Aluminum + SGCC
Weight	TBD
Chassis Color	Black and white
Storage	1x M.2 M-key (2280)
Power Supply	Option
Mounting	TBD
Dimensions	TBD

Operating Temperature	-40°C ~ 75°C (-40°F ~ 167°F)
Storage Temperature	-40°C ~ 80°C (-40°F ~ 176°F)
Relative Humidity	10% ~ 90% (non-condensing)
Vibration	SSD: 5 grms / 5~500Hz / random operation
Certification	CE, FCC class B, cULus & CCC
Operating System	Windows10 / Linux

Ordering Information

SW-601-N	Signage Player with Intel® 11th Gen Intel® Core™ / Celeron® U-series (TGL-U Platform) processor TDP<=28W, 2x 4GB SO-DIMM RAM, M.2 128GB storage w/o power adaptor (Operating temperature: -40°C~75°C support is not included for the adaptor)
----------	---

SW-101-N

Outdoor / Waterproof Signage Player

Intel® Atom® Processor E3845 Waterproof Fanless Signage Player with One HDMI



SW-101-N VIDEO



Specifications

System Mainboard	SGT-MB3
CPU	Intel® Atom® Processor E3845 Quad-Core 1.91GHz
CPU Socket	FCBGA 1170
Chipset	SoC Integrated
Memory	1x DDR3L-1333 SO-DIMMs, dual-channel, Max. 8GB (Non-ECC)
Graphics	Intel® HD graphics (Gen 7-LP) 4EU
LAN	1x Realtek RTL8111H Gigabit LAN controller
Expansion Slots	1x mini PCI-E (full-size) 1x mSATA socket for mSATA SSD
I/O Interface	1x HDMI (C3 connector) 2x USB 2.0 (M12 connector) 1x Gigabit LAN (M12 connector) 1x RS232 (M12 connector) 1x DC power (M12 connector) 2x N jack type antenna opening w/ waterproof design 1x DIO (M12 connector)
Auto Control and Monitoring	Watchdog Timer: 256 segments, 0, 1, 2...255 (sec/min)
Power Requirement	12V DC-in
Construction	Aluminum die-casting and heavy-duty steel
Weight	2.8kg
Chassis Color	Black
Storage	1x mSATA
Power Supply	84W power adaptor (optional)
Mounting	Wall mount
Dimensions	227mm(W) x 192mm(D) x 70mm(H) 8.93"(W) x 7.55"(D) x 2.75"(H)
Operating Temperature	-40°C ~ 75°C (-40°F ~ 167°F)
Storage Temperature	-40°C ~ 80°C (-40°F ~ 176°F)
Relative Humidity	10% ~ 90% (non-condensing)
Vibration	mSATA: 5 grms / 5 ~ 500Hz / random operation
Certification	CE, FCC Class B, CCC
Operating System	Win7 32/64-bit, Win8, Win8.1, WEI8.1, WEC 2013, Win10 32/64-bit Enterprise

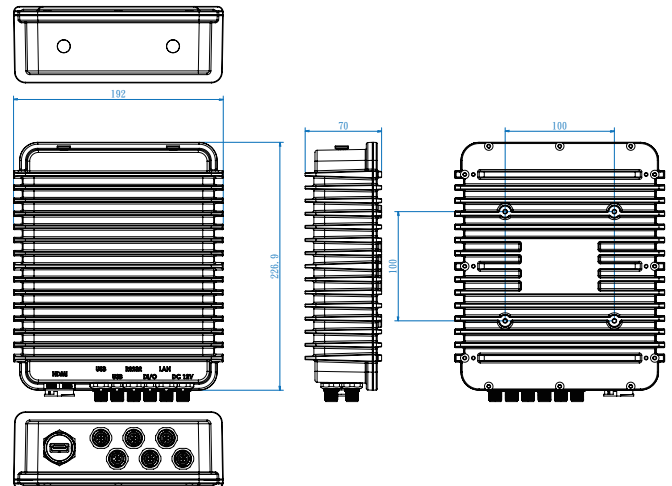
Features

- iSMART intelligent energy-saving & Observer remote monitoring technologies
- Intel® Atom® Processor E3845 Quad Core CPU
- 1x DDR3L 1333 SO-DIMM w/o ECC, Max. 8GB
- Intel® Processor integrated graphics device, supports 1x HDMI port (C3 connector)
- 2x USB 2.0, 1x RS232, 1x Digital I/O (M12 connector)
- 1x Mini PCI-E for 3G, 4G LTE or Wi-Fi module, 1x mSATA for storage
- -40°C ~ 75°C wide-range operating temperature
- Waterproof, fanless design with IP68 rating

Ordering Information

SW-101-N	Signage Player with Intel® Atom® E3845 SoC (22nm); Quad-Core 1.91 GHz, 4GB SO-DIMM RAM, 64GB mSATA w/o power adaptor
----------	--

Dimensions



SE-103-N

Outdoor Signage Player

Intel® Atom® X6000/ Pentium® / Celeron® Processor Fanless Signage Player with Intel® Graphics engines and three HDMI



Coming soon



Features

- iSMART intelligent energy-saving & Observer remote monitoring technologies
- Intel® Atom® X6000/ Pentium® / Celeron® Processor
- 3x HDMI 2.0b with CEC display monitoring functions
- Built-in hardware EDID emulation function
- 2x DDR4-3200 SO-DIMM, dual channel, Max. 64GB
- 1x M.2 B-Key (3052) for 5G LTE
- 1x M.2 E-Key (2230) for Wi-Fi, Bluetooth or capture card options
- TPM 2.0, vPro and watchdog timer
- Industrial-grade robust, fanless and compact Design
- -40°C ~ 75°C wide-range operating temperature

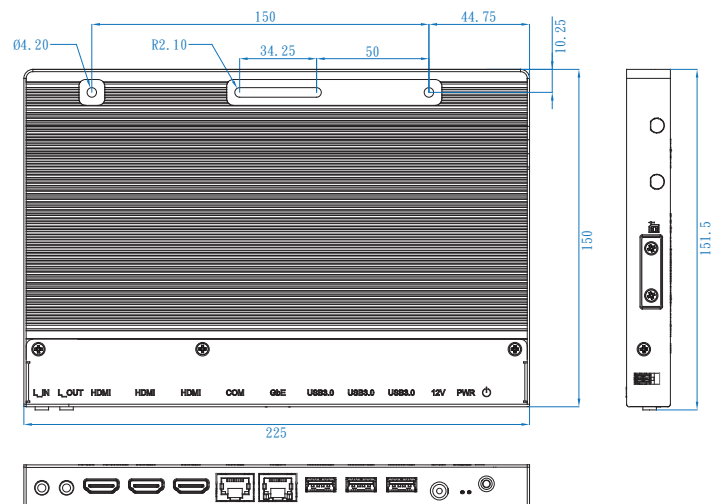
Specifications

System Mainboard	MBD103
CPU	Intel® Atom® x6425E@1.8~3.0GHz/ 4 Cores/ 12W TDP Intel® Celeron® J6412@2.0~2.6GHz/ 4 Cores/ 10W TDP
CPU Socket	FCBGA1493
Chipset	Integrated in Intel® SoC
Memory	2x DDR4 3200 SO-DIMM Max. 32GB, supports IB ECC
Graphics	11th Gen Intel® SoC integrated 18EUs Gfx
LAN	1x Gigabit LAN (Intel® I219LM for X6000 Series or Intel® I210AT for N/J6000 Series)
Expansion Slots	1x M.2 E-Key (2230) 1x M.2 B-Key (3052) 1x UIM/SIM card slot
I/O Interface	3x HDMI 2.0b 3x USB 1x RJ45 for Gigabit LAN 1x RJ45 for RS232 serial port 2x Audio connectors for Line-in / Line-out 1x Power button 1x Terminal block for power port 1x UIM/SIM card slot Power / HDD LED
Auto Control and Monitoring	Watchdog Timer: 256 segments, 0, 1, 2...255 (sec/min)
Power Requirement	+12V DC
Construction	Aluminum + SGCC
Weight	TBD
Chassis Color	Black & White
Storage	1x M.2 M-Key (2280)
Power Supply	60W power adaptor
Mounting	TBD
Dimensions	190mm(W) x 130mm(D) x 19.5mm(H) 11.81"(W) x 5.12"(D) x 0.77"(H)
Operating Temperature	-40°C~75°C (-40°F~167°F) for X6000 Series CPU 0°C~60°C (0°F~140°F) for N/J6000 Series CPU
Storage Temperature	-20°C ~ 80°C (-22°F~176°F)
Relative Humidity	10%~90% (non-condensing)
Vibration	SSD: 5 grms / 5~500Hz / random operation
Certification	CE, FCC class B, cULus, CCC
Operating System	Windows10 / Linux

Ordering Information

SE-103-NX	Intel® Atom® x6425E@1.8~3.0Gh, 2x DDR4 SO-DIMM socket, 3x HDMI 2.0b, 3x USB, 1x LAN, 1x COM (RJ45) and 84W power adaptor
SE-103-NJ	Intel® Atom® J6426E@1.2~3.0GHz, 2x DDR4 SO-DIMM socket, 3x HDMI 2.0b, 3x USB, 1x LAN, 1x COM (RJ45) and 60W power adaptor

Dimensions



SE-102-N

Outdoor Signage Player

Intel® Atom® x7/x5, Pentium® & Celeron® Processor Fanless Signage Player with Dual HDMI



Specifications

System Mainboard	MBD102
CPU	Intel® Atom® x7/x5, Pentium® & Celeron® Processor
CPU Socket	FCBGA1296
Chipset	Integrated in Intel® SoC
Memory	2x 2GB DDR3L, Non-ECC, dual Channel, Max. 8GB (Non-ECC, Unbuffered) DDR3L-1600 for N3350 only
Graphics	Intel® HD graphics 505
LAN	1x Intel® I210IT Gigabit LAN controller for EXXXX series 1x Intel® I211AT Gigabit LAN controller for NXXXX series
Expansion Slots	1x Mini PCI-E (full-size) for Wi-Fi, Bluetooth or 4G options 1x SIM card slot
I/O Interface	2x HDMI 1.4b with hardware EDID emulation 3x USB 3.0 port 1x RJ45 for Gigabit LAN 1x RJ45 for RS232 serial port 1x Audio connectors for / Line-out Power / HDD LED, 1x power on / off button 1x DC jack
Auto Control and Monitoring	Watchdog Timer: 256 segments, 0, 1, 2...255 (sec/min)
Power Requirement	+12V DC
Construction	Aluminum + SGCC
Weight	0.9 kgs (1.98 lbs)
Chassis Color	Black and white
Storage	1x mSATA
Power Supply	60W power adaptor
Mounting	Standard system bracket
Dimensions	190mm(W) x 130mm(D) x 19.5mm(H) 7.48"(W) x 5.12"(D) x 0.77"(H)
Operating Temperature	-40°C~70°C (-40°F~158°F) for Exxxx CPU 0°C~ 45°C (32°F~113°F) for Nxxxx CPU
Storage Temperature	-40°C ~ 110°C (-40°F~230°F)
Relative Humidity	5%~90% @45oC (non-condensing)
Vibration	SSD: 5 grms / 5~500Hz / random operation
Certification	CE, FCC class B, cULus & CCC
Operating System	Windows10 / Linux

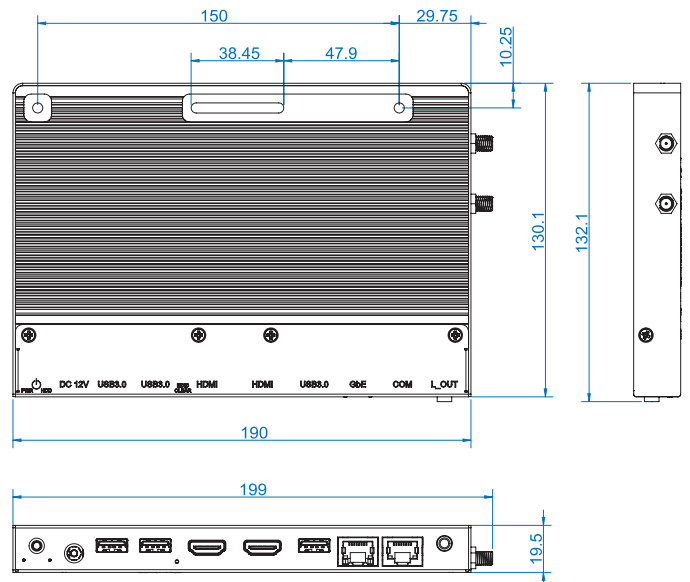
Features

- iSMART intelligent energy-saving & Observer remote monitoring technologies
- Intel® Atom™ x7/x5, Pentium® & Celeron® Processor
- Intel® HD graphics 505
- 2x 2GB DDR3L, Non-ECC, dual Channel, Max. 8GB (Non-ECC, Unbuffered) DDR3L-1600 for N3350 only
- 2x HDMI 1.4b, 1x Mini PCI-E (full-size) for Wi-Fi, Bluetooth or 4G LTE options
- Fanless, super slim and compact design
- Wide-range operating temperature from -40°C to 70°C

Ordering Information

SE-102-N	Signage Player with Intel® Atom® x7 / E3950 (1.6~2.0GHz); 2x 2GB DDR3 SO-DIMM RAM, 64GB mSATA, and 60W power adaptor. (Operating temperature: -40°C~70°C is not supported by the adaptor)
SE-102-N420	Signage Player with Intel® Pentium® N4200 (1.1~2.5GHz); 2x 2GB DDR3 SO-DIMM RAM, 64GB mSATA, and 60W power adaptor. (Operating temperature: 0°C~45°C)
SI-MK1	Mounting bracket for SI-06/08/12/18/22/SE-102-N series

Dimensions



SE-92-N

Outdoor Signage Player

5th Gen Intel® Core™ i7/i5 ULT Processor Fanless Signage Player with Dual DVI-I



Features

- iSMART intelligent energy-saving & Observer remote monitoring technologies
- Supports 5th Gen Intel® Core™ i7/i5 ULT Processors with integrated Intel® HD graphics engine
- iAMT for remote management
- 1x Mini PCI-E (full-size) for Wi-Fi, Bluetooth or 4G LTE options
- 1x M.2 E-Key (2230) for Wi-Fi, Bluetooth capture card options
- 1x M.2 M-Key (2280) for storage
- 7V~36V DC wide-range power input
- -40°C ~ 75°C wide-range operating temperature
- Ruggedized, fanless and all solid state design

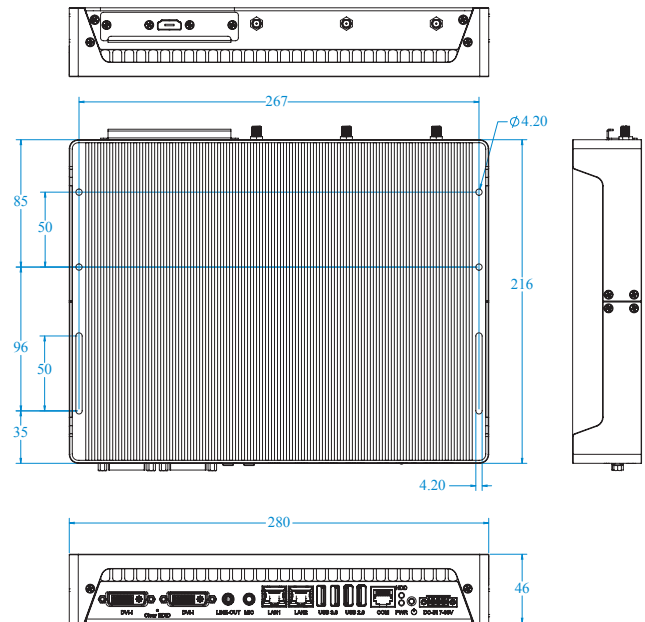
Specifications

System Mainboard	MBD602
CPU	5th Gen Intel® Core™ i7/i5 ULT Processors
CPU Socket	FCBGA1168
Chipset	SoP (System-on-Package)
Memory	2x DDR3L-1600 SO-DIMM, Max. 16GB
Graphics	Intel® HD graphics engine
LAN	1x Intel® 218LM Gigabit LAN controller 1x Intel® 210IT PCI-E Gigabit LAN controller
Expansion Slots	1x Mini PCI-E (full-size) 1x M.2 E-Key (2230) 1x M.2 M-Key (2280) 1x SIM card slot
I/O Interface	2x DVI-I with EDID emulation function 2x USB 2.0 2x USB 3.0 2x RJ45 for Gigabit LAN 1x RJ45 for RS-232 serial port 2x Audio connectors for Line-out/Mic-in Power / HDD LED 1x Power button 1x 4-pin 7V~36V DC terminal block
Auto Control and Monitoring	Watchdog Timer: 256 segments, 0, 1, 2...255 (sec/min)
Power Requirement	7V~36V DC-in
Construction	Aluminum + SGCC
Weight	3.7 kgs (8.16 lbs)
Chassis Color	Black & white
Storage	1x 2.5" HDD/SSD
Power Supply	Optional
Mounting	Standard system bracket
Dimensions	280mm(W) x 216mm(D) x 46mm(H) 11.02"(W) x 8.5"(D) x 1.81"(H)
Operating Temperature	-40°C ~ 75°C (-40°F ~ 167°F) with SSD w/o Wi-Fi or 4G/LTE
Storage Temperature	-50°C ~ 85°C (-58°F ~ 185°F) with SSD
Relative Humidity	5~90% @ 45°C, (non-condensing)
Vibration	mSATA: 5 grms / 5~500Hz / random operation
Certification	CE, FCC Class B, cULus, CCC & e24 Mark
Operating System	Win7 32/64-bit, Win8.1, WEI8.1

Ordering Information

SE-92-N-I7	Outdoor/In-vehicle Signage Player with Intel® Core™ i7-5650U ULT processor, 2x 4GB wide temp DDR3L SO-DIMM, wide temp 64GB SSD, w/o Power adaptor
SE-92-N-I5	Outdoor/In-vehicle Signage Player with Intel® Core™ i5-5350U ULT processor, 2x 4GB wide temp DDR3L SO-DIMM, wide temp 64GB SSD, w/o Power adaptor
80W Power adaptor	AC/DC 24V output, 80W power adaptor

Dimensions





Features

- Supports 7th/6th Gen Intel® Core™ U-Series QC/DC Processors
- Intel® HD graphics engine
- Remote management with iAMT Technology
- 2x DDR4-2133, SO-DIMM, dual-channel, Max. 32 GB
- 1x HDMI 1.4b
- 1x Line-out / 1x Mic-in
- 1x RJ45 for Gigabit LAN, 1x RJ45 for RS232 serial port
- 4x USB 3.0 ports
- 1x M.2 E-Key (2230) for Wi-Fi or Bluetooth options

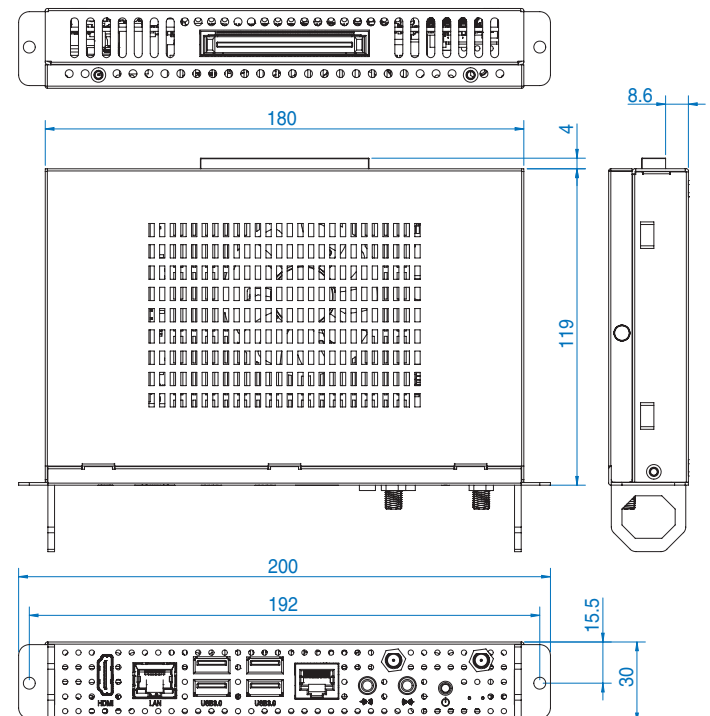
Specifications

System Mainboard	OPS602
CPU	7th Gen Intel® Core™ U-Series Processor
CPU Package	BGA1356
Chipset	Integrated in Intel® SoC
Memory	2x DDR4-2133, SO-DIMM, dual channel, Max. 32 GB.
Graphics	7th Gen Intel® Core™ U-Series processor integrated graphics
LAN	1x Intel® I219LM LAN PHY for I5/I7 1x Intel® I219V LAN PHY for I3
Expansion Slots	1x M.2 E-Key (2230)
I/O Interface	1x HDMI 1.4b 4x USB 3.0 port 1x RJ45 for Gigabit LAN 1x RJ45 for RS232 serial port 2x Audio connectors for Line-out/Mic-in Power / HDD LED 1x power on/off button
Auto Control and Monitoring	Watchdog Timer: 256 segments, 0, 1, 2...255 (sec/min)
Power Requirement	+12~19V DC
Construction	SGCC
Weight	0.9 kgs (1.98 lbs)
Chassis Color	Black and gray
Storage	1x M.2 M-Key (2280)
Power Supply	Power Requirement: DC-in +12V~+19V (Intel® OPS standard)
Mounting	OPS standard bracket
Dimensions	200mm(W) x 119mm(D) x 30mm(H) 7.87"(W) x 4.69"(D) x 1.18"(H)
Operating Temperature	0°C~ 45°C (32°F~113°F)
Storage Temperature	-20°C ~ 80°C (-4°F~176°F)
Relative Humidity	5%~90% @45oC (non-condensing)
Vibration	SSD: 5 grms / 5~500Hz / random operation
Certification	CE, FCC Class B
Operating System	Windows 10 64-bit Linux Ubuntu

Ordering Information

iOPS-602	OPS System with Intel® Core™ i7-7600U (2.8GHz/3.9GHz) onboard, with 2x 4GB DDR4 2133 SO-DIMM, M.2 128GB storage
iOPS-602-i5	OPS System with Intel® Core™ i5-7300U (2.6GHz/3.5GHz) onboard, with 2x 4GB DDR4 2133 SO-DIMM, M.2 128GB storage
iOPS-DK1	iOPS-76/302/602 series Expansion Dock with 150W adaptor for use without OPS display

Dimensions



ARD-048-N

All-in-One Bar-Type Panel PC

48" 8th Gen Intel® Core™ i5-8365UE All-in-One Bar-Type Fanless 4K Panel PC



Features

- 48" color TFT active matrix, wide LCD with optimum resolution 3840 x 720
- 8th Gen Intel® Core™ i5-8365UE 1.6~4.1GHz with Intel® UHD Graphics 620
- 2x DDR4-2400 SO-DIMM, dual Channel, Max. 32GB
- 2x USB2.0
- Ruggedized, fanless and compact design

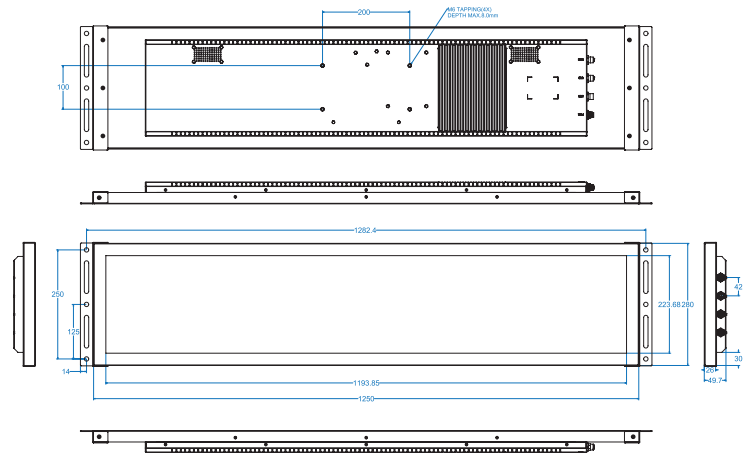
Specifications

Panel Type	48" color TFT active matrix, wide LCD
Display Area	103.65(H) x 310.95(V)
Resolution	3840 x 720
Contrast Ratio	1000:1 (typ)
Viewing Angles	89°(H) / 89°(V)
Response Time	20ms (typ)
Backlight	LED 50,000H
Brightness	1,000 nits (typ.)
Panel Surface	Hard coating, Reduce scratching
System Mainboard	IB919
CPU Type	8th Gen Intel® Core™ i5-8365UE (1.6GHz/4.1GHz)
CPU Socket	FCBGA1528
Chipset	Integrated in Intel® SoC
Memory	2x DDR4-2400 SO-DIMM, dual channel, Max.32GB
Graphics	Intel® UHD Graphics 620
LAN	1x Intel® I219LM GbE PHY
Expansion Slots	N/A
I/O Interface	1x M12 connector Gigabit LAN 2x M12 connector USB 2.0 1x RS232/422/485 (jumperless selection) M12 connector 2x Speakers (Reserved) 2x Antenna (Reserved)
Auto Control and Monitoring	Watchdog timer: 256 segments, 0, 1, 2...255 sec/min
Power Requirement	+24V DC-in
Construction	Aluminum + SGCC
Weight	TBD
Chassis Color	Black
Storage	1x mSATA
Power Supply	optional
Mounting	Side mounting
Dimensions	1250mm(W) x 280mm(D) x 49.7mm(H) 49.21"(W) x 11.02"(D) x 1.96"(H)
Operating Temperature	-25°C~ 40°C (-13°F~104°F)
Storage Temperature	-20°C~80°C (-4°F~176°F)
Relative Humidity	5%~90% @45oC (non-condensing)
Vibration	IEC61373
Certification	CE/FCC, LVD
Operating System	Win10 32/64-bit Enterprise

Ordering Information

ARD-048-N	48" All-in One Resizing Fanless 4K Panel PC with Intel® Core™ i5-8365UE (1.6GHz/4.1GHz), 2x 4GB DDR4-2400 SO-DIMM, 128GB mSATA, power adapter 180W 24V output
Speaker set	2x 4W speaker with the amplifier board

Dimensions





Specifications

Panel Type	42" color TFT active matrix, wide LCD
Display Area	1039.68 (H) x 259.92(V)
Resolution	1920 x 480
Contrast Ratio	3500:1 (typ.)
Viewing Angles	178°(H) / 178°(V)
Response Time	8ms (typ.)
Backlight	LED
Brightness	550 nits
Panel Surface	Anti-glare coating (Haze 44%)
System Mainboard	IB811F-420
CPU	Intel® Pentium® QC N4200 (1.1GHz~2.5GHz, 2MB cache)
CPU Socket	FCBGA1296 (24mm x 31mm)
Chipset	Integrated in Intel® SoC
Memory	2x DDR3L-1866 SO-DIMM, Dual channel, Max. 8GB
Graphics	Intel® SoC integrated Gen 9 18EUs graphix
LAN	2x Intel® I210AT PCI-E Gigabit LAN
Expansion Slots	1x M.2 B-key (3042) for storage or 4G LTE options
I/O Interface	1x HDMI 1.4b 1x DP 1.2 2x RJ45 for Gigabit LAN 4x USB 3.0 1x RS-232/422/485 (jumperless selection)
Auto Control and Monitoring	Watchdog Timer: 256 segments, 0, 1, 2...255 (sec/min)
Power Requirement	+12V DC-in
Construction	Aluminum + SGCC
Weight	14.8 kgs (32.63 lbs)
Chassis Color	Black
Storage	1x mSATA
Power Supply	180W power adaptor
Mounting	Side mounting
Dimensions	1065.5mm(W) x 288.3mm(D) x 70mm(H) 41.94"(W) x 11.35"(D) x 2.75"(H)
Operating Temperature	0°C ~ 40°C (32°F~104°F)
Storage Temperature	-20°C ~ 80°C (-4°F~176°F)
Relative Humidity	5%~90% @45oC (non-condensing)
Vibration	IEC61373 (Vibration Class B)
Certification	CE, FCC, LVD
Operating System	Win10 32/64-bit Enterprise

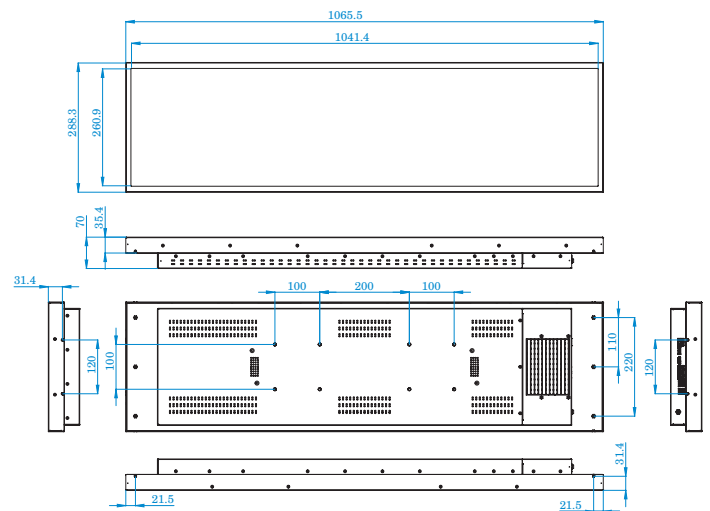
Features

- 42" color TFT active matrix, wide LCD with optimum resolution 1920 x 480
- Intel® Pentium® N4200 1.1GHz~2.5GHz with Intel® SoC integrated Gen 9 18EUs graphics
- 2x DDR3L-1866 SO-DIMM, dual channel, Max. 8GB
- 1x M.2 B-key (3042) for storage or 4G LTE options
- 2x RJ45 for Gigabit LAN
- 1x HDMI 1.4b
- 1x DP 1.2
- Ruggedized, fanless and compact design

Ordering Information

ARD-042-N	42" All-in-one Resizing Panel PC with Intel® Pentium® QC N4200 (1.1GHz~2.5GHz, 2MB cache), 2GB DDR3L-1866 SO-DIMM, 64GB mSATA w/ RJ45 LAN, AC/DC power adaptor 180W 24V output, DC Plug with screw lock
Speaker set	2x 4W speakers with the amplifier board

Dimensions





Features

- 37" color TFT active matrix, wide LCD with optimum resolution 1920 x 540 & 1000 nits brightness
- Intel® Pentium® N4200 1.1~1.25GHz with Intel® SoC integrated Gen9 Gfx with 18EUs
- 2x DDR3L-1866 SO-DIMM, dual channel, Max. 8GB
- 1x M.2 B-key (3042) for storage or 4G LTE options
- 2x RJ45 for Gigabit LAN
- 1x HDMI 1.4b
- 1x DP 1.2
- Ruggedized, fanless and compact design

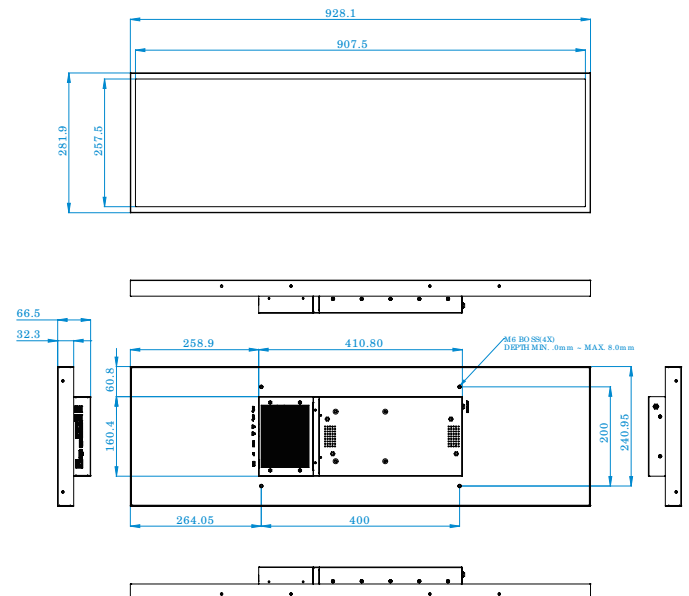
Specifications

Panel Type	37" color TFT active matrix, wide LCD
Display Area	904.32(H) x 254.34(V)
Resolution	1920 x 540
Contrast Ratio	4000:1 (typ.)
Viewing Angles	178°(H) / 178°(V)
Response Time	6.5ms (typ.)
Backlight	LED 50,000H
Brightness	1000 nits
Panel Surface	Anti-glare, hard coating (3H)
System Mainboard	IB811F-420
CPU	Intel® Pentium® QC N4200 (1.1GHz~2.5GHz, 2MB cache)
CPU Socket	FCBGA1296 (24mm x 31mm)
Chipset	Integrated in Intel® SoC
Memory	2x DDR3L-1866 SO-DIMM, Dual channel, Max. 8GB
Graphics	Intel® SoC integrated Gen9 18EUs Gfx
LAN	2x Intel® I210AT PCI-E Gigabit LAN
Expansion Slots	1x M.2 B-key (3042) for storage or 4G LTE options
I/O Interface	1x HDMI 1.4b, 1x DP1.2 2x RJ45 for Gigabit LAN 4x USB 3.0 1x RS-232/422/485 (jumperless selection)
Auto Control and Monitoring	Watchdog Timer: 256 segments, 0, 1, 2...255 (sec/min)
Power Requirement	+24V DC-in
Construction	Aluminum + SGCC
Weight	9.0 kgs (20.0 lbs)
Chassis Color	Black
Storage	1x mSATA
Power Supply	180W power adaptor
Mounting	Side mounting
Dimensions	928.1mm(W) x 66.5mm(D) x 281.9mm(H) 36.54"(W) x 2.62"(D) x 11.10"(H)
Operating Temperature	0°C~ 40°C (32°F~104°F)
Storage Temperature	-20°C ~ 80°C (-4°F~176°F)
Relative Humidity	5%~90% @45oC (non-condensing)
Vibration	IEC61373 (Vibration Class B)
Certification	CE, VCCI, cULus
Operating System	Win10 32/64-bit Enterprise

Ordering Information

ARD-037-N	37" All-in-one Resizing Panel PC with Intel® Pentium® QC N4200 (1.1GHz~2.5GHz, 2MB cache), 2x 2GB DDR3L-1866 SO-DIMM, 64GB mSATA w/ RJ45 LAN, AC/DC power adaptor 180W 24V output, DC plug with screw lock, Win10 32/64-bit Enterprise
Speaker set	2x 5W speakers with the amplifier board

Dimensions





Specifications

Panel Type	27.6" color TFT active matrix, wide LCD
Display Area	688.896(H) x 129.168(V)
Resolution	1920 x 360
Contrast Ratio	3000:1 (typ.)
Viewing Angles	170°(H) / 170°(V)
Response Time	6.5ms (typ.)
Backlight	LED 50,000H
Brightness	1,000 nits (typ.)
Panel Surface	Anti-glare, hard coating (3H)
System Mainboard	IB811F-420
CPU	Intel® Pentium® QC N4200 (1.1GHz~2.5GHz, 2MB cache)
CPU Socket	FCBGA1296 (24mm x 31mm)
Chipset	Integrated in Intel® SoC
Memory	2x DDR3L-1866 SO-DIMM, dual channel, Max. 8GB
Graphics	Intel® SoC integrated Gen 9 18EUs Gfx
LAN	2x Intel® I210AT PCI-E Gigabit LAN
Expansion Slots	1x M.2 B-key (3042) for storage or 4G LTE options
I/O Interface	1x HDMI 1.4b 1x DP1.2 2x RJ45 for Gigabit LAN 4x USB 3.0 1x RS-232/422/485 (jumperless selection)
Auto Control and Monitoring	Watchdog timer: 256 segments, 0, 1, 2...255 sec/min
Power Requirement	+12V DC-in
Construction	Aluminum + SGCC
Weight	5.4 kgs (11.9 lbs)
Chassis Color	Black
Storage	1x mSATA
Power Supply	84W power adaptor
Mounting	Side mounting
Dimensions	729.10mm(W) x 54mm(D) x 170.80mm(H) 28.70"(W) x 2.13"(D) x 6.72"(H)
Operating Temperature	-25°C ~ 55°C (-13°F ~ 131°F)
Storage Temperature	-20°C~80°C (-4°F~176°F)
Relative Humidity	5~90% @ 45°C, (non-condensing)
Vibration	IEC61373 (Vibration Class B)
Certification	CE/FCC, LVD, EN50155
Operating System	Win10 32/64-bit Enterprise

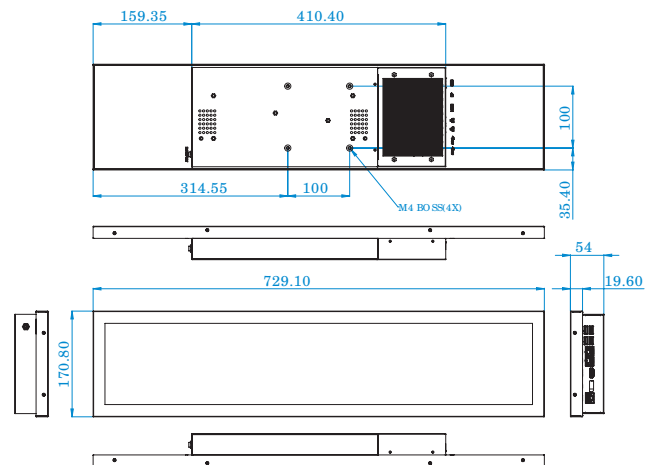
Features

- 27.6" color TFT active matrix, wide LCD with optimum resolution: 1920 x 360 & 1000 nits brightness
- Intel® Pentium® N4200 1.1~1.25GHz with Intel® HD graphics (Gen 9) 18 EUs Integrated
- 2x DDR3L 1866 SO-DIMM, dual channel, Max. 8GB
- 1x M.2 B-key (3042) for storage or 4G LTE options
- 1x HDMI 1.4b
- 1x DP 1.2
- 2x RJ45 for Gigabit LAN
- Ruggedized, fanless and compact design

Ordering Information

ARD-028-NRA	27.6" All-in-one Resizing Panel PC with Intel® Pentium® QC N4200 (1.1GHz~2.5GHz, 2MB cache), 2GB DDR3L-1866 SO-DIMM, 64GB mSATA w/ RJ45 LAN & 84W
Speaker set	2x 4W speakers with the amplifier board

Dimensions



MEMO

HEADQUARTERS

IBASE Technology Inc.
11F, No. 3-1, Yuan Qu St., Nankang,
Taipei 115, Taiwan, R.O.C.

廣積科技股份有限公司
台北市115南港區園區街3-1號11樓G棟
Tel: +886-2-2655-7588
Fax: +886-2-2655-7388
sales@ibase.com.tw
www.ibase.com.tw

WORLDWIDE OFFICES

European Headquarters

IBASE Europe (TMC Technology)
12 Wedgwood Court Stevenage,
Herts, SG1 4QR, United Kingdom
Tel: +44-1438-846090
Fax: +44-1438-842308
sales@ibase-europe.com
www.ibase-europe.com

Italy

IBASE Italy S.r.l.
Via Sant Antonio 1/A
28845 Domodossola, Verbania, Italy
Tel: +39-0324-47501
Fax: +39-0324-47501
info.italy@ibase-europe.com
www.ibase-europe.com

USA

IBASE Technology (USA), Inc.
1050 Stewart Drive, Sunnyvale,
CA 94085, U.S.A.
Tel: +1-408-992-0888
Fax: +1-408-992-0808
sales@ibase-usa.com
www.ibase-usa.com

Singapore

IBASE Singapore Pte Ltd.
10, Ubi Crescent #07-60,
Ubi Techpark (Lobby D),
Singapore 408564
Tel: +65-6842-5112
Fax: +65-6842-5113
sales@ibase-singapore.com
www.ibase-singapore.com

China

IBASE (Shanghai) Technology Inc.
2F, Building 3, No. 2005, HongMei
Road, 201103 Shanghai, China
上海广佳信息技术有限公司
中国上海市虹梅路2005号3号楼2层
邮编: 201103
Tel: +86-021-6090-5088
Fax: +86-021-6090-6388
sales@ibase.com.tw
www.ibase.com.tw

China

IBASE (Shanghai) Technology Inc.
Beijing Office
Room 1622, GuoFengMeiTang
Building 5, No. 106, KeXing West Road,
Changping District, 100029 Beijing, China
上海广佳信息技术有限公司-北京办事处
中国北京市昌平区回龙观科星西路106号
国风美唐5号商务楼1622室
邮编: 100029
Tel: +86-133-113-80499
sales@ibase.com.tw
www.ibase.com.tw

Japan

IBASE Japan Corp.
3F Bansei Muromachi Bldg., 4-3-12
Nihonbashi Muromachi, Chu-O ku,
Tokyo, Japan
IBASE ジャパン株式会社
東京都中央区日本橋室町4-3-12
バンセイ室町ビル3F
Tel: +81-3-6262-1303
Fax: +81-3-6262-6106
sales@ibase-japan.com
www.ibase-japan.com

India

IBASE India
sales@ibase-india.com
www.ibase-india.com



DOWNLOAD
DIGITAL SIGNAGE CATALOG