



INDUSTRIAL PANEL PC

2021-2022 Edition

Table of Contents

About IBASE	3 ~ 5
Touch Technology	6 ~ 7
IP Ratings Guide	8
IBASE Panel PC Standard Validation Plan	9
IBASE Panel PC Ecosystem	10 ~ 11
IBASE Panel PC Matrix Table	12 ~ 13
1. Smart Retail Panel PC	
NEW OFP-W2700-PCI86 / OFP-W2700-PCV16 / OFP-W2700-PCI50	14 ~ 16
OFP-151-PC / OFP-2100-PC / OFP-2101-PC	17 ~ 19
UPC-7210 / UPC-6210	20 ~ 22
2. Self-Service Panel PC	
NEW IKS2700I / IKS2700A	23 ~ 24
NEW VINO2100 Series	25 ~ 26
3. Heavy-duty Industrial Panel PC & Monitor	
IPPC1505-RE / IPPC1705-RE / IPPC1905-RE	27 ~ 29
IPPC1003-PC / IPPC1203-RE / IPPC1503-RE / IPPC1703-RE / IPPC1903-RE	30 ~ 34
IPPC1503-REN / IPPC1903-REN	35 ~ 36
ASTUT-W155-PC1S	37 ~ 39
NEW IPPD1560RF	40
4. Outdoor Panel PC	
IDOOH-210-IR	41 ~ 42
5. Stainless Steel Panel PC	
INOSP-152-RE / INOSP-192-RE	43 ~ 45
SSPA-24	46
6. Medical Panel PC	
UMT-7211	47 ~ 49
7. ARM-based Panel PC	
BYARM-W181-PC	50 ~ 52
8. Motherboard for Panel PC	
IBP-900	53 ~ 54
MBM-7001	55 ~ 56

About IBASE



Core Activities

Design and Manufacturing of Robust Industrial Computing Platforms



HEADQUARTERS
Taipei, Taiwan



FOUNDED
February 2000



CHAIRMAN
C. S. Lin



CAPITAL
US\$58M



EMPLOYEE
770
(Worldwide)



Stock Quote
TPEX 8050
(Since 2003)

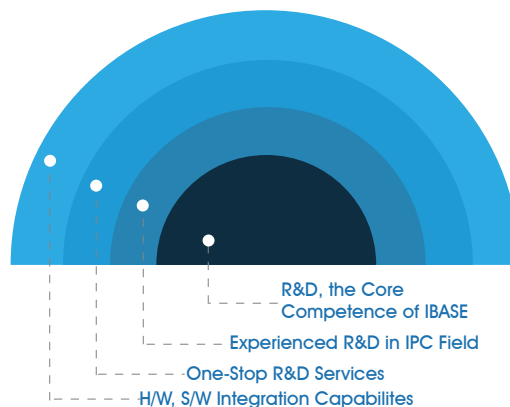
Company Profile

IBASE Technology specializes in the design and manufacture of robust industrial PC products, delivering high quality products and excellent service since its establishment in 2000. IBASE carries out manufacturing and quality control at its own facilities in Taiwan that are certified with ISO 9001, ISO 13485 and ISO 14001 standards. Current offerings comprise x86 and RISC-based industrial motherboards, embedded systems, panel PCs, network appliances and digital signage players. The company is publicly listed in the Taipei Exchange (TPEX: 8050) and is now a leading global provider of innovative industrial and embedded computing solutions.



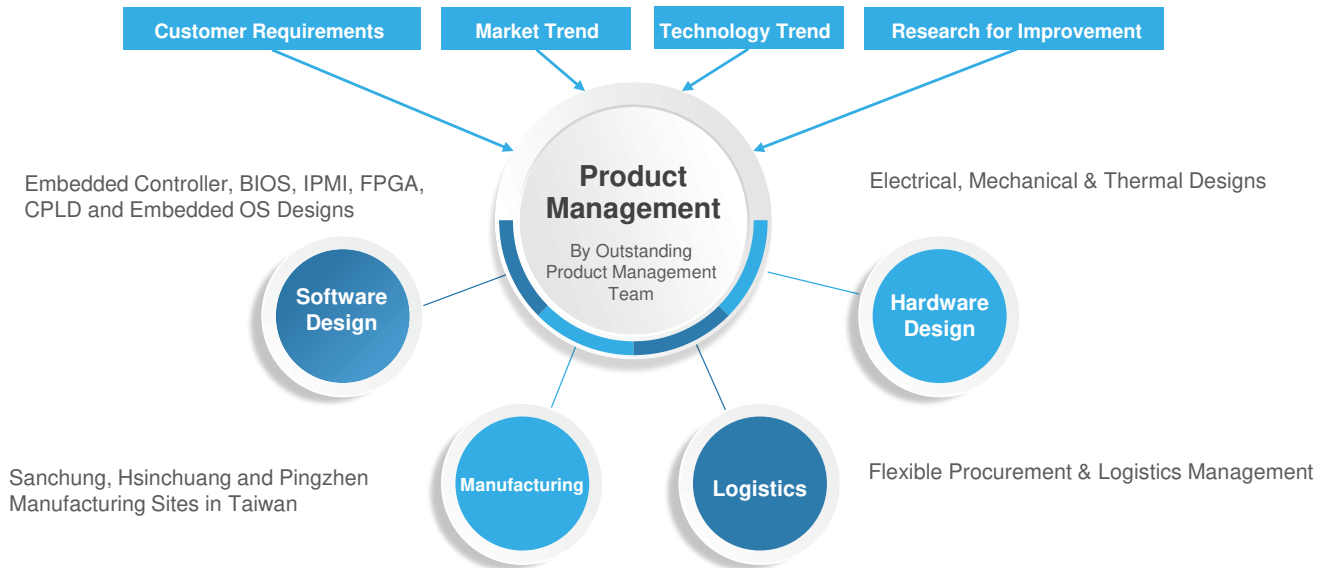
R&D Capabilities

IBASE's R&D team boasts of talented electronics, layout, system, mechanical hardware, BIOS, firmware as well as software engineers. Half of the team members are seasoned with more than 15 years of experience in their respective fields, while 45 percent carry more than five years of experience. Because of their accumulated expertise, the R&D team is able to design and create new products for the demanding and dynamic market.



Design⁺, Manufacture⁺, Service⁺

Set up to become a global leading provider of embedded board and system solutions, IBASE manufactures and supplies cutting-edge products based on the latest technologies to match market demands. Our R&D and product management teams have the expertise to design and develop products that are innovative and meet customers' requirements and design specifications. We attach great importance to research and development, investing heavily in manpower and resources to remain competitive by staying ahead in the technology curve. IBASE is also committed to compliance with environmental policies by working to prevent pollution with non-use of banned or restricted substances in our production process and products, helping our customers respond to their environmental challenges.



IBASE Manufacturing Sites



3,140 m² / 950 Ping

SANCHUNG

- Board Production
- Validation



6,070 m² / 1,840 Ping

HSINCHUANG

- System Assembly
- Validation



15,700 m² / 4,750 Ping

PINGZHEN

- Board Production
- System Assembly
- Validation

Total Size

268,350 Square-feet
(24,910 m² / 7,540 Ping)

Design & Manufacturing
in Taiwan

Capacity

- SMT Line x 3
- DIP Assembly Line x 2
- System Assembly Line x 10
- Cleanroom x 1
- Burn-in Room x 13
(4 hours per cycle)

PCBA
40K/month (In-house Production) + Outsourcing
System Assembly
10K/month (In-house Production) + Outsourcing

Certifications

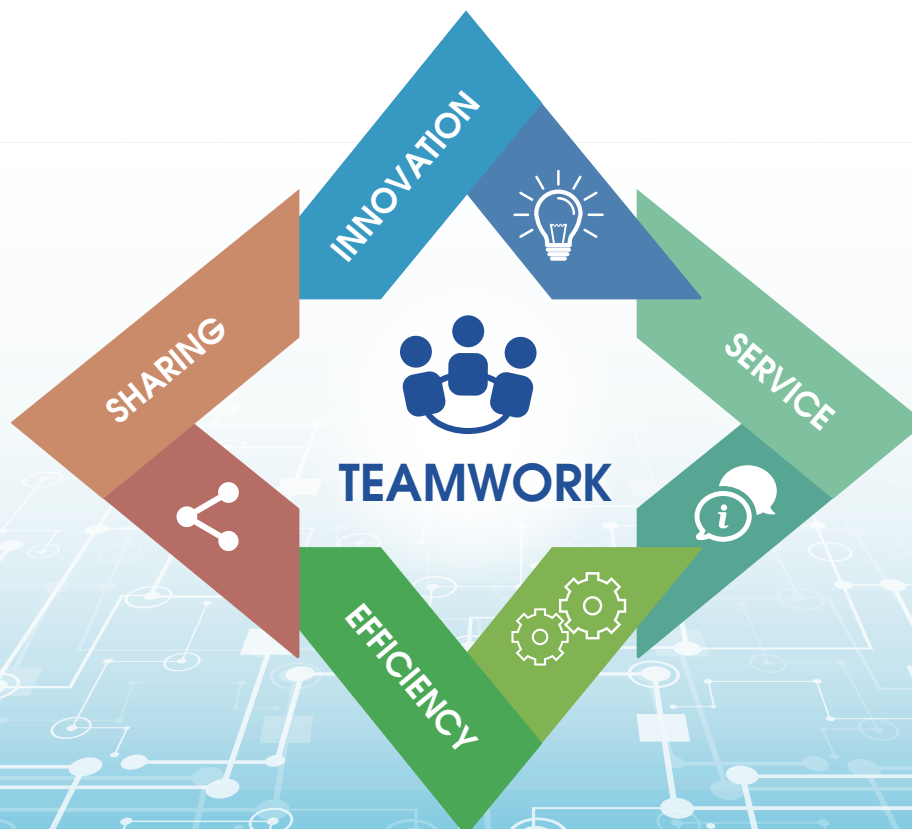


Your Best Partner

IBASE is a worldwide leader in the manufacture of reliable and multi-functional industrial panel PC products. Product offerings include waterproof IP65 stainless steel panel PCs, EN50155-certified railway panel PCs, sunlight readable panel PCs, Open-Frame panel PCs, HMI and various all-in-one panel PCs for indoor and outdoor deployments in factory automation, transportation, retail, medical and other applications.

Aside from developing our standard products, IBASE also provides ODM (Original Design Manufacturer) and JDM (Joint Design Manufacturer) services and customized product solutions. With our highly-qualified expert engineers, IBASE can tailor products that meet customers' application-specific needs, ensuring high quality, reliability and longevity and provide one-stop shopping services to our valued clients.

IBASE has partnered with mainstream processor vendors such as Intel, AMD and NXP in product development to create embedded computing solutions with unprecedented levels of performance. We have built our reputation through dedication and commitment to deliver well-designed products and an outstanding level of customer service. To this day, IBASE continues to foster an unbreakable relationship with both customers and technology vendors, working hand-in-hand to form a lasting win-win partnership.



Touch Technology



An analog signal output is produced with a finger touching the sensor. The touch controller translates the analog signal into digital signal. The controller senses the signal to determine the location of the touch on the screen. USB or RS-232 interface controllers are used to convert analog signals into digital signals. Various designs and functions can be added or changed with the use of touch controller drivers. Aside from these additional touch screen functionalities, software designs can be made based on customers' requirements. These requirements can include multiple languages, handwriting recognition, multi-screen system and computer game support.

Types

	Resistive	Capacitive	Infrared
Technologies			
Sensing Method	Voltage sensing	Human body as electrical conductor	Optical sensing
Price	Cheap	Expensive	Very Expensive
Hardness	3H	7H	7H
Durability	1 million times	150 million times	Limitless
Transparency	70~90%	90%	98%
Input	Fingertip/Pen	Fingertip/conductor	Fingertip/Pen
Accuracy	Good	Good	Good
Features	Not scratch-proof Low transparency	Stain/scratch resistant, fast response, multi-point identification	Scratch-proof, fire-proof
Applications	HMI, Smart phone, GPS, Tablets, Self service ordering system, Inventory machine, POS, Medical monitor	Smart phone, GPS, Tablets, Navigation system, ATM, POS, Ticket vending machine, Gaming console, Medical monitor	Ticket vending machine, POS, Medical monitor, Office business machine, Industrial equipment
Size	2"~19"	3"~42"	6"~80"

Comparison of Resistive Touch Panel and Capacitive Touch Panel

Surface Hardness

The top layer of the resistive touch panel uses PET films with 3H hardness. Even with 3H hardness, the top layer is prone to pick up fine scratching over long period of use or be affected by sudden changes in temperature, which increases maintenance costs. Capacitive touch panel, on the other hand, uses glass with different thickness and hardness of up to 7H.

Operating and Storage Temperature

Resistive touch panels have storage temperature and operating temperature ranges from -40°C to + 80°C and from -20°C to + 70°C respectively. Theoretically, capacitive touch panel, which has a glass surface, should have a somewhat higher operating temperature range.

How They Work

Resistive touch panel works under 'pressure.' When pressure is applied from a finger or stylus, it makes contact with the conductive layer beneath that causes a voltage drop. It would not work when there is not enough pressure. On the other hand, capacitive touch panel works with just a light finger touch on the panel.

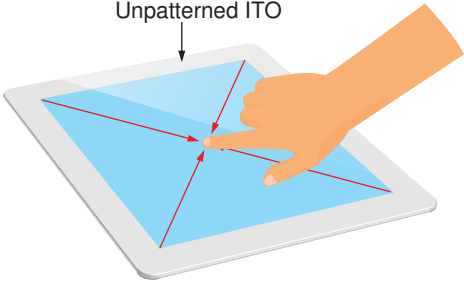
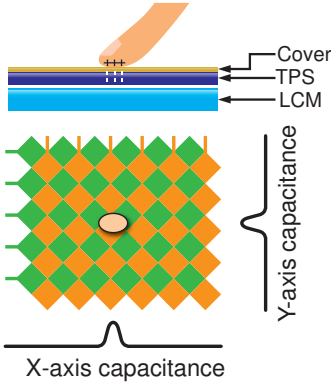
Limitations in Usage and Environment

Resistive touch panel has a PET surface; it may start to wear and become unresponsive when used in outdoor environments for a period of time. Capacitive touch panel, on the other hand, can only be used with objects with conductive properties and not work properly when liquids may be present. Furthermore, capacitive touch panels are sensitive to electro-magnetic (EMI) and radio frequency interference (RFI).

Accuracy

The two touch screen technologies have a high level of accuracy. However, the surface of resistive touch panels have a lower hardness scale and can be damaged over time, degrading the accuracy of the touches.

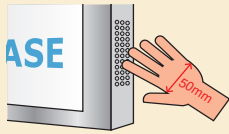
Surface VS. Projected Capacitance

	Surface capacitance	Projected capacitance (PCT or PCAP)
Touch action	Single touch	Multi touch
Suitable TP size	Big size	Middle & small size
Calibration	Required	Not Required
Construction	Glass	Glass type Film type
Diagram		

IP (Ingress Protection) Ratings Guide

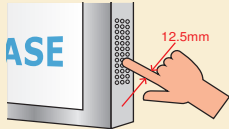
SOLIDS

1



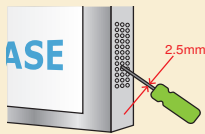
Protected against a solid object greater than 50mm, such as a hand.

2



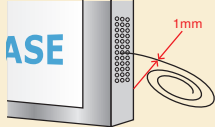
Protected against a solid object greater than 12.5mm, such as a finger.

3



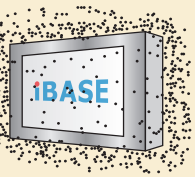
Protected against a solid object greater than 2.5mm, such as a screwdriver.

4



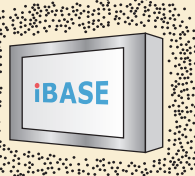
Protected against a solid object greater than 1mm, such as wire.

5



Dust protected. Limited ingress of dust permitted. Will not interfere with operation of the equipment. Two to eight hours.

6



Dust tight. No ingress of dust. Two to eight hours.

Rating Example:

IP 65

INGRESS PROTECTION

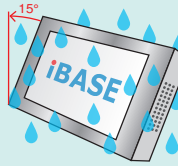
WATER

1



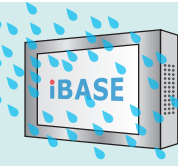
Protected against vertically falling drops of water. Limited ingress permitted.

2



Protected against vertically falling drops of water with enclosure tilted up to 15 degrees from the vertical. Limited ingress permitted.

3



Protected against sprays of water up to 60 degrees from the vertical. Limited ingress permitted for three minutes.

4



Protected against water splashed from all directions. Limited ingress permitted.

5



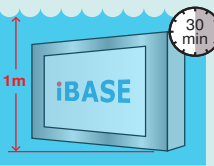
Protected against jets of water. Limited ingress permitted.

6



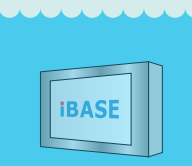
Water from heavy seas or water projected in powerful jets shall not enter the enclosure in harmful quantities.

7



Protection against the effects of immersion in water between 15 cm and 1 m for 30 minutes.

8



Protection against the effects of immersion in water under pressure for long periods.

9



Protection against high temperature, high pressure water and steam.

IBASE Panel PC Standard Validation Plan

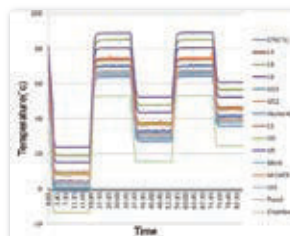
IBASE provides a complete series of validation plan for both IBASE standard products and OEM/ODM products, during the design phase. The validation process includes basic functional test, thermal analysis, environmental test, low temperature test, random vibration test, shock test, package drop test, IP rating test, power consumption test, bench mark report, panel brightness measurement, EMI pre-scan and ESD test. For some special cases, IBASE can also furnish battery (UPS) support report, unpackaged drop test, and acoustical noise report. In addition, EYE diagram testing is made to ensure signal integrity requirements are fulfilled. Once products have passed the validation process, they can then move to the next phase of the project. Otherwise, products go back to the re-design phase. This way, IBASE earns the confidence of customers by providing good quality and reliable products

The following table shows our standard validation items (for reference):

Item	Reference
Basic Functional Test	Based on product functions
EMI Pre-scan	EN55022, could be specified
Thermal Analysis	Product specified maximum working temperature, add 5°C for 4 hours
Random Vibration Test	IEC60068-2-64 ed2.0 2008-04
Package Drop Test	MIL-HDBK-304C, ISTA 2A, ASTM D1469 & CNS 10033 standard
Environmental Test	Temperature cycling, product specified working high and low temperature +3°C/-5°C for 81 hours
Power Consumption Test	Load maximum rating to evaluate worse case of system
Bench Mark	Perform Passmark benchmarking tool
Acoustical Noise	Clause 8 of ISO 7779
Low Temperature Startup Test	Product specified lowest working temperature, reduce 10°C for 4 hours
ESD Test	EN 61000-4-2, could be specified
UPS (Battery) Support	Verify the support time of the battery in system in maximum configurations.
Unpackaged Drop Test	MIL-STD-810G Method 516 Procedure IV, transit drop.
Brightness Test	To evaluate the system display brightness data and compare with specification
Shock Test	MIL-STD-810G 516.6
IP Rating Test	IEC 60529 Edition 2.1: 2001-02

Thermal Test and Environmental Test

Compared to other companies, IBASE monitors not only some key parameters, such as processor, memory, chipset, but also other heat sources, such as those from serial port transceiver and receiver, audio chip, eDP converter, LAN MAC, storage device, power choke, etc. The number of our basic measure points is 30, which can be increased based on customer requirements. IBASE uses a data recorder and not just a thermostat. We get results and analyze all temperature data during testing. Therefore, not only does IBASE report the final results, IBASE also explains what had occurred during testing. Our specified system working temperature should give our customers more confidence.



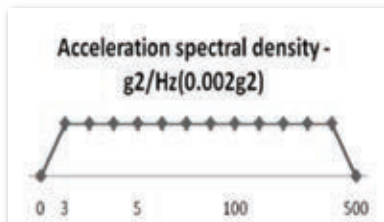
Environmental Test



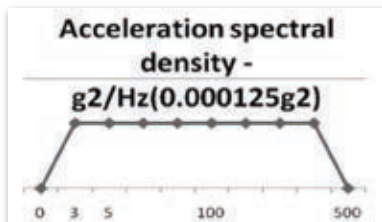
Thermal Test

Random Vibration Test and Shock Test

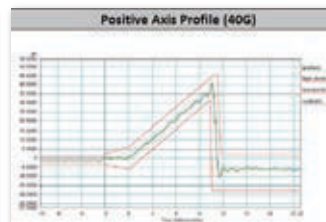
Random vibration and shock tests are IBASE standard validation methods for all products. We test our products under operating and non-operating environments. Random vibration tests verify the specified vibration pattern that products could sustain in specific applications, such as mobile application, etc. Shock tests are performed to provide a degree of confidence that products can withstand the relatively infrequent, non-repetitive shocks encountered in handling, transportation, and service environments. These two validation methods are very important for industrial-grade panel PCs.



Random Vibration Test (non-operating)



Random Vibration Test (operating)



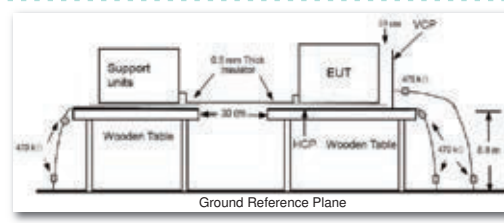
Shock Test (non-operating)



Shock Test

EMI/ESD Pre-Scan

IBASE checks EMI/ESD results during the design phase. EMI pre-scan verifies if the terminal and peripherals conform to the requirements of any class of CE/FCC radiation. ESD pre-test are performed to evaluate whether the product will operate normally or be destroyed when subjected to electrostatic discharge during operation. Through this process, IBASE can ensure newly designed products are ready to go into the pilot run phase. If customers have their own designed applications for medical, railway, or marine applications, IBASE can also prepare specific EMI/ESD test plan for any special projects.



ESD Pre-Test

IBASE Panel PC Ecosystem

Virtual Counter



VINO2100 Series



Office Service Center



IPPC Series



Door Sign



IPPD1560RF



Workplace

Food Company



INOSP Series



Product Manufacturing



ASTUT Series



Home

Car Washing



INOSP Series



Parking



IDOOH Series



Transport

Commercial Activity

Self Ordering Kiosk



IKS2700 Series



Crowd Control



VINO2100 Series



Signage



UPC Series



Ticketing/Vendor Machine



OFP Series



Hospital

Door Sign



IPPD1560RF



Medical



UMT-7211



Information



IDOOH Series



Repairs Center



IPPC Series



Gate



BYTEM Series



Information



BYARM-181-PC



IBASE Panel PC Matrix Table

Aspect Ratio	Platform	11th Gen Intel® Core™ Processors	10th Gen Intel® Celeron® Processor-J Series	10th Gen Intel Atom® Processor-X Series	AMD Ryzen™ Embedded V1000 Series	AMD Ryzen™ Embedded R1000 Series	8th Gen Intel® Core™ Processors
	Panel Size						
16:9	27-inch	Planning stage			OFP-W2700-PCV16 IKS2700A (Until 2027)	OFP-W2700-PCR15 (Until 2027)	OFP-W2700-PCI86 IKS2700I (Until 2027)
	23.6-inch			Planning stage			
	21.5-inch	Planning stage					
	18.5-inch						
	15.6-inch		Planning stage	Planning stage			
	13.3-inch			Planning stage			
	7-inch			Planning stage			
16:10	10.1-inch			Planning stage			
5:4	19-inch	Planning stage					
	17-inch	Planning stage					
	15-inch	Planning stage	Planning stage	Planning stage			
4:3	12.1-inch			Planning stage			
	10.4-inch		Planning stage	Planning stage			

Under developing

Planning stage

Intel Atom® Processor-X Series	Intel® Pentium® Processor-N Series	7th Gen Intel® Core™ Processors	6th Gen Intel® Core™ Processors	Intel® Celeron® Processor-J Series	Intel Atom® Processor-E Series	i.MX 8M Plus	i.MX 6Solo
OFP-W2700-PCI50 (Until 2027)							
						Planning stage	
	OFP-2100-PC (Until 2030)	OFP-2101-PC UPC-7210 VINO2100 (Until 2031)	UMT-7211 (Until 2023)	UPC-6210 (Until 2027)	UPC-6210 (Until 2027) IDOOH-210-IR (Until 2022)		
							BYARM-181-PC (Until 2022)
		ASTUT-W155-PC1S (Until 2024)	ASTUT-W155-PC1S (Until 2024)				
					BYTEM-W071-PC (Until 2027) BYTEM-W072-PC (Until 2027)		
					BYTEM-101-PC (Until 2027)		
			IPPC1905-RE (Until 2030)	IPPC1903-RE (Until 2027)	INOSP-192-RE (Until 2024)		
			IPPC1705-RE (Until 2030)	IPPC1703-RE (Until 2027)			
	OFP-151-PC (Until 2030)		IPPC1505-RE (Until 2030)	IPPC1503-RE (Until 2027)	INOSP-152-RE (Until 2024)		
				IPPC1203-RE (Until 2027)	BYTEM-121-PC (Until 2027) BYTEM-123-PC (Until 2028)		
					IPPC1003-PC (Until 2027) BYTEM-103-PC (Until 2028)		

Open-Frame PANEL PC



Features

- 27" wide-screen Open-Frame panel pc with excellent performance
- 1920 x 1080 resolution and 250-nit & 1000-nit brightness
- Projected capacitive touch
- Supports both portrait and landscape display modes
- Supports IR cut-off solution



OFP-W2700-PCI86



OFP-W2700-PCV16



OFP-W2700-PCI50

Specifications

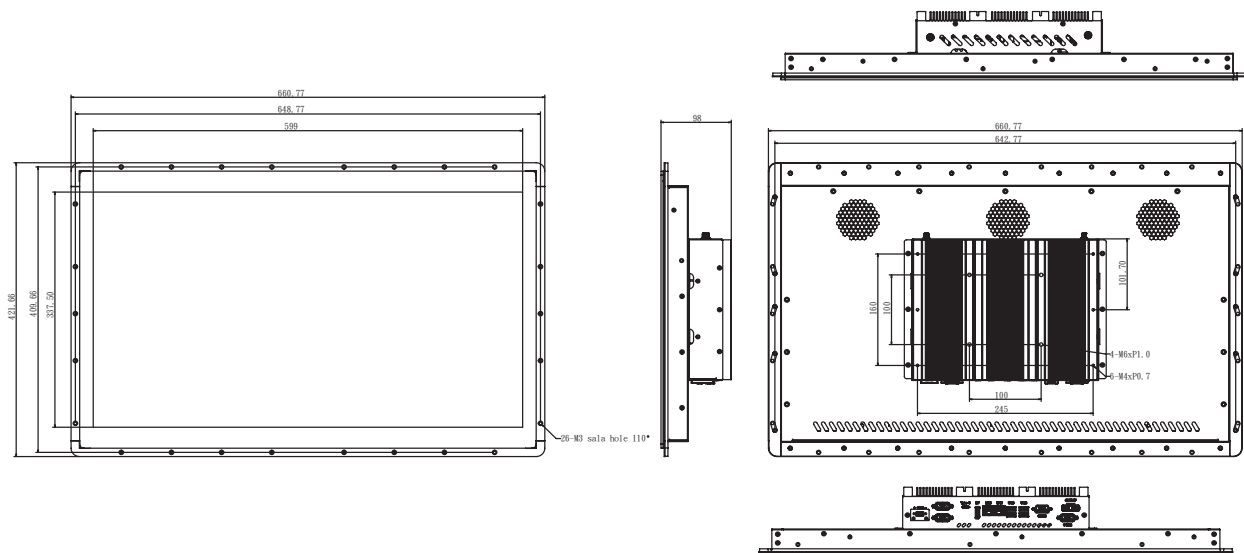
Model No.	OFP-W2700-PCI86	OFP-W2700-PCV16	OFP-W2700-PCI50	
Display & Touch Screen	Display Size	27" TFT-LCD		
	Max. Resolution	1920 x 1080		
	Luminance (cd/m2)	Default: 250 Option: 1000		
	Contrast	1:1000		
	Max. Color	16.7M		
	View Angle (H/V)	178/178		
	Backlight Lifetime(hrs)	30,000		
	Touch Type	Projected capacitive touch IR cut solution (optional)		
	Touch Interface	USB		
	Light Transmission (%)	85		
	Point of touch	10		
I/O Interface	USB 3.0	4 (USB3.1)	4	
	USB 2.0	0		
	RS-232/422/485 Selectable in BIOS	1		
	RS-232	1		
	LAN	2		
	Additional Graphics	1x DisplayPort 1x USB Type-C	2x HDMI	1x HDMI
	Audio	0		
	Digital I/O	0		
	Power Connector	1x 3-pin terminal block AC inlet for high brightness SKU		
	Power Button	1x 2-pin terminal block to power on/off pin		

OFP-W2700-PCI86 / OFP-W2700-PCV16 / OFP-W2700-PCI50

Mechanical	Dimensions (mm)	660.77 x 421.66 x 98		
	Net Weight (kgs)	14.6		
System	Processor	Intel® Core™ i7-8665UE	AMD Ryzen™ V1605B	Intel® Atom® x7/ E3950
	Memory	2x DDR4 SO-DIMM Up to 32GB, 1x 4GB (default)	2x DDR4 SO-DIMM Up to 32GB, 1x 4GB (default)	1x DDR3L SO-DIMM Up to 8GB, 1x 4GB (default)
	Thermal Design	3x fan for IR cut off solution		
	Membrane Control	None		
	Built-in Speaker/MIC	None		
Expansion	Internal Expansion Bus	1x M2280 M.2 socket 1x E2230 M.2 socket	1x M2280 M.2 socket 1x E2230 M.2 socket	2x Mini PCI-E (1x full-size, 1x half-size)
	Expansion Slot	None		
	Wireless	Optional		
Storage Space	HDD	1x 2.5" SATAIII SSD space, 64G SSD (default) 1x M.2 (M-Key)	1x 2.5" SATAIII SSD space, 64G SSD (default) 1x M.2 (M-Key)	1x 2.5" SATAIII SSD space, default 64G SSD 1x mSATA (via full-size Mini PCI-E)
	Removable	None		
Power	Power Input Range	9V~24V DC (general SKU) 100V~240V AC (high brightness SKU)	12V~24V DC (general SKU) 100V~240V AC (high brightness SKU)	12V~24V DC (general SKU) 100V~240V AC (high brightness SKU)
Construction	Chassis Material	SGCC		
	Color (Front/Back)	Raw SGCC		
	IP Rating	Front side IP65		
	Mounting	Open-Frame design		
Environmental	Operating Temperature	-10°C~50°C		
	Storage Temperature	-20°C~70°C		
	Storage Humidity	10%~90% @40°C (non-condensing)		
	Certification	N/A		
	Supported Operating Systems	Windows 10, 64-bit, Linux Kernel 4+		

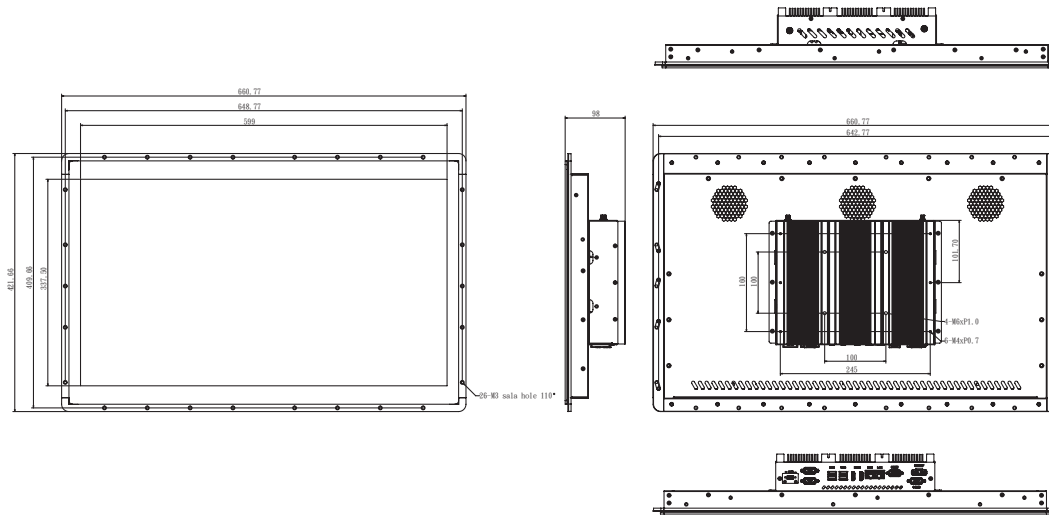
Dimensions

OFP-W2700-PCI86

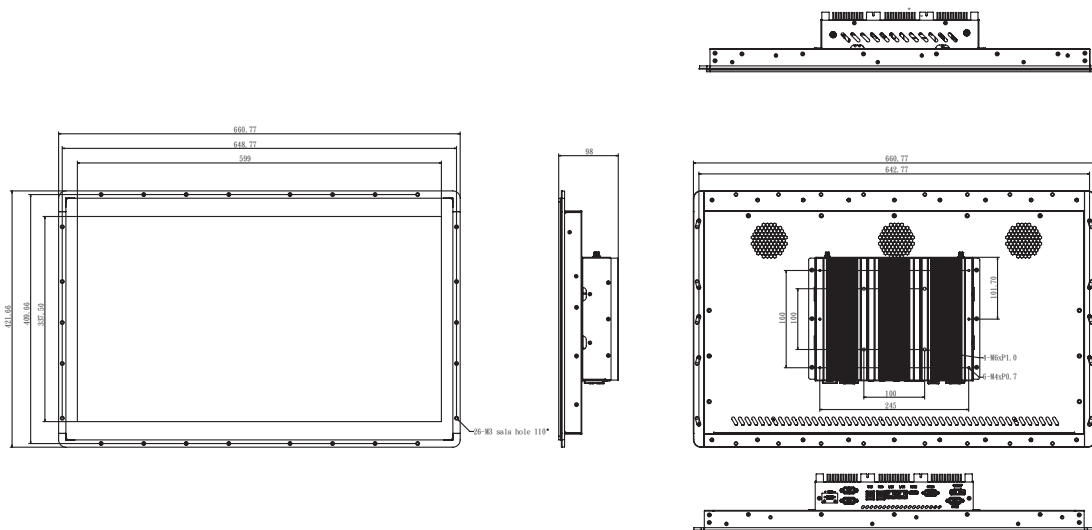


Dimensions

OFP-W2700-PCV16



OFP-W2700-PCI50



Ordering Information

OFP-W2700-PCI86H	27" full HD Open-Frame Panel PC, Intel® i7-8665UE processor, 4GB DDR4 memory, 64GB SSD, 1000nits high brightness, projected capacitive touch screen, 100V~240V AC Power input
OFP-W2700-PCV16I	27" full HD Open-Frame Panel PC, AMD V1605B processor, 4GB DDR4 memory, 64GB SSD, 1000nits high brightness, projected capacitive touch screen with IR cut solution, 100V~240V AC Power input
OFP-W2700-PCI50H	27" full HD Open-Frame Panel PC, Intel® Atom® x7/ E3950 processor, 4GB DDR3L memory, 64GB SSD, 1000nits high brightness, projected capacitive touch screen, 100V~240V AC Power input
OFP-W2700-PCV16	27" full HD Open-Frame Panel PC, AMD V1605B processor, 4GB DDR4 memory, 64GB SSD, 250nits brightness, projected capacitive touch screen, 12V~24V DC Power input

Open-Frame PANEL PC



I/O View



Features

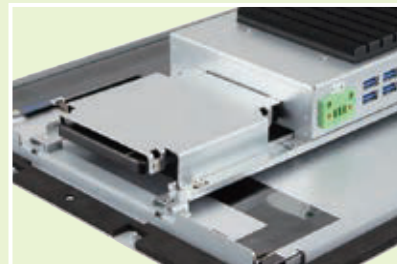
- Flat bezel Open-Frame design with Optional colored frame



- Flat bezel Open-Frame design



- Easily accessible storage space



- Modular design, upgradeable



OFP-151-PC / OFP-2100-PC / OFP-2101-PC

Model No.		OFP-151-PC	OFP-2100-PC	OFP-2101-PC
Display & Touch Screen	Display Size	15	21	21
	Max. Resolution	1024 x 768	1920 x 1080	1920 x 1080
	Luminance (cd/m2)	420	250	250
	Contrast	1:600	1:1000	1:1000
	Max. Color	16.2M	16.7M	16.7M
	View Angle (H/V)	160/160	178/178	178/178
	Backlight Lifetime(hrs)	30000	30000	30000
	Touch Type	Projected capacitive		
	Touch Interface	USB		
	Light Transmission (%)	89		
	Point of touch	10		
I/O Interface	USB 3.0	4		
	USB 2.0	0		
	RS-232/422/485 Selectable in BIOS	1 (RJ50 type)	1 (RJ45 type)	1 (DSUB9)
	RS-232	Optional		
	LAN	2x GbE		
	Additional Graphics	1x HDMI 1x DP		
	Audio	None		
	Digital I/O	Optional		
	Power Connector	1x 3-pin terminal block		
	Power Button	1x 2-pin terminal block for remote		
Mechanical	Dimensions (mm)	375.2 x 289.6 x 60.9	543 x 334 x 88.2	543 x 334 x 88.2
	Net Weight (kgs)	5	7.6	7.7
System	Processor	Intel® Pentium® QC N4200	Intel® Pentium® QC N4200	Intel® Core i7 7600U Intel® Core i5 7300U Intel® Core i3 7100U
	Memory	Max. 8GB DDR4, default 4GB	Max. 8GB DDR4, default 4GB	Max. 32GB DDR4, default 4GB
	Thermal Design	Fanless		
	Membrane Control	None		
	Built-in Speaker/MIC	None		
Expansion	Internal Expansion Bus	1x mini PCI-E for half-size mSATA 1x M.2 B-key	1x mini PCI-E for half size mSATA 1x M.2 B-key	1x mini PCI-E for full-size mSATA
	Expansion Slot	None		
	Wireless	Optional		
Storage Space	HDD	1x 2.5" HDD space, default 64GB SSD		
	Removable	None		
Power	Power Input Range	9V~36V DC	9V~36V DC	9V~24V DC
Construction	Chassis Material	SGCC		
	Color (Front/Back)	Raw SGCC		
	IP Rating	Front side with IP65		
	Mounting	Open-Frame design		
Environmental	Operating Temperature	-10°C~50°C	0°C~50°C	0°C~50°C
	Storage Temperature	-20°C~70°C		
	Storage Humidity	10%~90% @40°C (non-condensing)		
	Certification	Based on chassis design		
	Supported Operating Systems	Windows 10, 64-bit, Linux Kernel 4+		

UPC-7210 UPC-6210

Smart Retail Panel PC

21.5" Panel PC with 7th Gen Intel® Core™ i3/i5/i7 / Celeron® / Atom® Processor

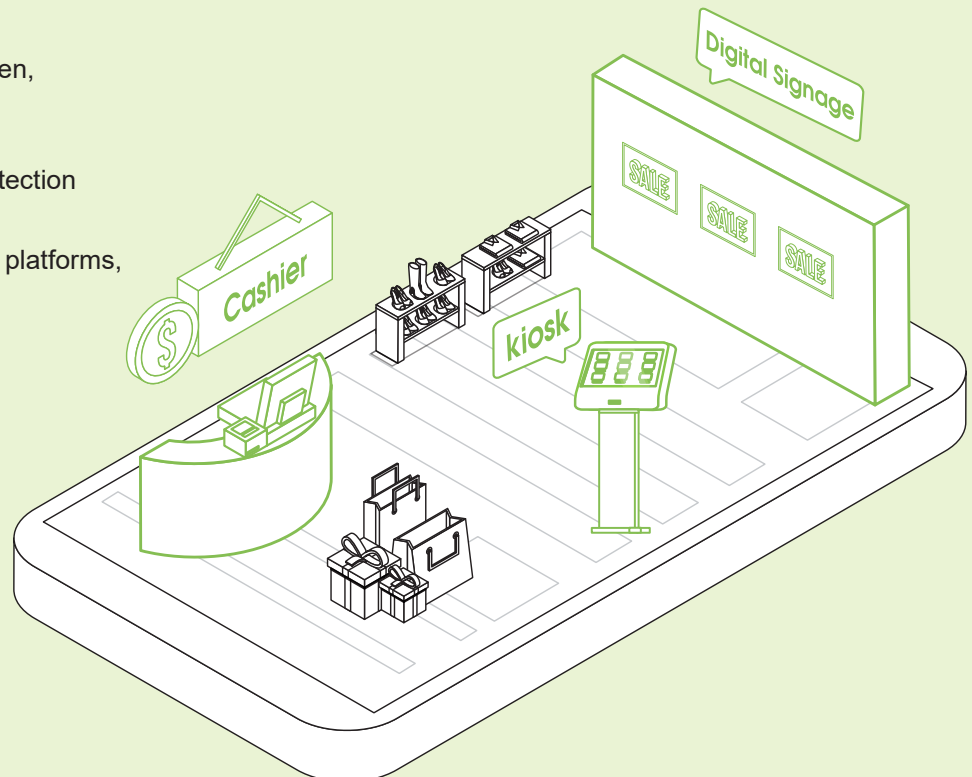
UPC Series **21.5"**

I/O View



Features

- 21.5" IPS LCD, 1920 x1080
- Projected capacitive touch screen, supports multi touch
- IP65 front-panel waterproof protection
- Supports a variety of processor platforms, from entry to performance level
- Optional wireless solution



UPC-7210 / UPC-6210

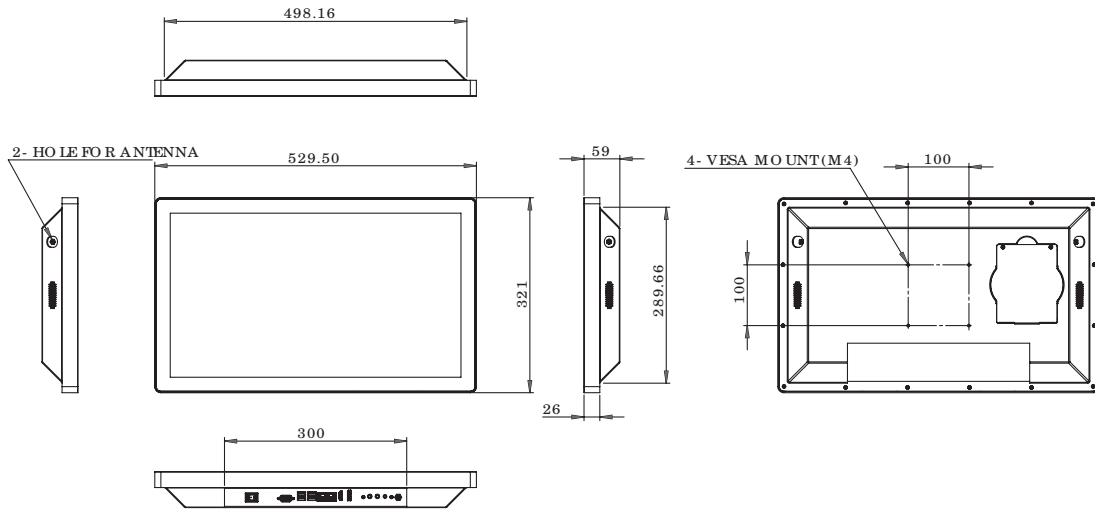
Specifications

Model No.	UPC-7210		UPC-6210	
Display & Touch Screen	Display Size	21.5"		
	Max. Resolution	1920 x 1080		
	Luminance (cd/m2)	250		
	Contrast	1:1000		
	Max. Color	16.2M		
	View Angle (H/V)	178/178		
	Backlight Lifetime(hrs)	30000		
	Touch Type	Projected capacitive		
	Touch Interface	USB		
	Light Transmission (%)	89		
	Point of touch	10		
I/O Interface	USB 3.0	4	1	
	USB 2.0	0	1	
	RS-232/422/485 Selectable in BIOS	1		
	RS-232	0		
	LAN	2 x GbE	1 x GbE	
	Additional Graphics	1x HDMI 1x DP	1x VGA 1x DP	
	Audio	1x 3.5 mm phone jack for line -out		
	Digital I/O	None		
	Power Connector	Power jack		
	Power Button	Rock switch		
	Mechanical	Dimensions (mm)	529 x 321 x 59	
Net Weight (kgs)		9		
System	Processor	Intel® i7 7600U (2.8GHz~3.9GHz, 4MB cache) UPC-7210 -I76 Intel® i5 7300U (2.6GHz~3.5GHz, 3MB cache) UPC-7210 -I73 Intel® i3 7100U (2.4GHz, 3MB cache) UPC-7210 -I71	Intel® Celeron J1900 (2.0GHz~2.4GHz, 2MB cache) UPC-6210 -J19 Intel® Atom® E3825 (1.33GHz, 1MB cache) UPC-6210 -I25	
	Memory	Max. 32GB, default 4GB DDR4		Max. and default 4GB DDR3L
	Thermal Design	Fanless		
	Membrane Control	None		
	Built-in Speaker/MIC	2x 2W 4Ω Speakers		
Expansion	Internal Expansion Bus	1x miniPCI-E Full-size, mSATA supports	1x miniPCI-E Full-size mSATA supports 1x miniPCI-E Full-size 1x miniPCI-E Half-size	
	Expansion Slot	None		
	Wireless	Optional		
Storage Space	HDD	1x 2.5" HDD space default 64GB SSD		
	Removable	None		
Power	Power Input Range	12V/24VDC	12V DC	
Construction	Chassis Material	AL 5052		
	Color (Front/Back)	Black/Black		
	IP Rating	Front Side IP65		
	Mounting	VESA 100x100		
Environmental	Operating Temperature	0°C~50°C		
	Storage Temperature	-20°C~70°C		
	Storage Humidity	10%~90% @40°C (non-condensing)		
	Certification	CE/FCC Class-B +LVD		
	Supported Operating Systems	Windows 10, 64bits, Linux Kernel 4+	Windows 7, Windows 10, 32/64bits, Linux Kernel 3+	

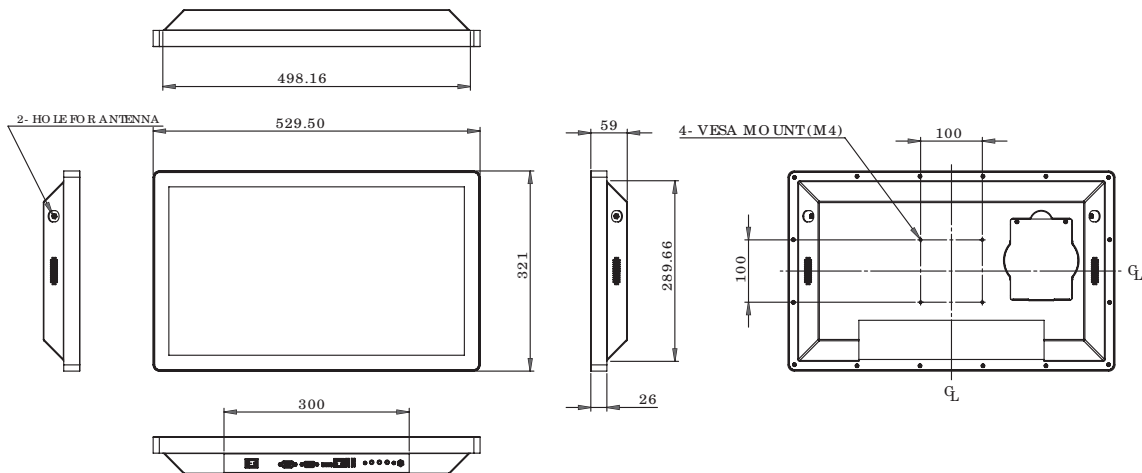
UPC-7210 / UPC-6210

Dimensions

UPC-7210



UPC-6210



Ordering Information

UPC-7210 -I76	21.5" Fanless Panel PC, 7th Gen Intel® Core™ i7 7600U, Projected capacitive touch screen, 4GB DDR4 memory, 64G SSD, 12V or 24V DC input, with 12VDC adaptor
UPC-7210 -I73	21.5" Fanless Panel PC, 7th Gen Intel® Core™ i5 7300U, Projected capacitive touch screen, 4GB DDR4 memory, 64G SSD, 12V or 24V DC input, with 12VDC adaptor
UPC-7210 -I71	21.5" Fanless Panel PC, 7th Gen Intel® Core™ i3 7100U, Projected capacitive touch screen, 4GB DDR4 memory, 64G SSD, 12V or 24V DC input, with 12VDC adaptor
UPC-6210 -J19	21.5" Fanless Panel PC, Intel® Celeron J1900, Projected capacitive touch screen, 4GB DDR3L memory, 64G SSD, 12V DC input, with 12VDC adaptor
UPC-6210 -I25	21.5" Fanless Panel PC, Intel® Atom® Processor E3825, Projected capacitive touch screen, 4GB DDR3L memory, 64G SSD, 12V DC input, with 12VDC adaptor

Features

- Modular design for easy maintenance
- With printer, NFC, scanner, PIN pad, integrated camera
- Supports both portrait and landscape display modes
- Custom modifications to the color, shape, and surface treatment



System Specifications

Model No.	IKS2700I	IKS2700A
System Mainboard	IB919AF-8665	IB918F-1605
CPU	Intel® Core™ i7-8665UE (1.7GHz/4.4GHz)	AMD Ryzen™ V1605B QC APU (2.0GHz~3.6GHz)
Memory	2x DDR4 SO-DIMM, up to 32 GB, default 4GB	2x DDR4 SO-DIMM, up to 32 GB, default 4GB
Rear Panel External I/O	N/A	N/A
Storage	2x 2.5" SATAIII space (default 2x 64GB)	1x 2.5" SATAIII space (default 64GGB) 1x M.2 M2280 (default 64GB)
Expansion Slots	1x M.2 M2280 socket 1x M.2 E2230 socket reserved for optional WiFi	1x M.2 E2230 socket reserved for optional WiFi
Power Supply	100V~240V AC	100V~240V AC
LCD Panel	Panel Size	27" TFT-LCD
	Max. Resolution	1920 x 1080
	Luminance (cd/m2)	250
	Max. Color	16.7M
	View Angle (H°/V°)	178/178
	Backlight Lifetime (hrs)	30,000
Touch Screen	Touch Type	Projected capacitive touch
	Touch Interface	USB
	Light Transmission (%)	85
Build-in Default	Printer	2" or 3" thermal printer w/auto cutter
	Scanner	1D/2D barcode scanner
	Camera	2M camera with MIC
	Speaker	2x 2W
Build-in Options	WIFI	WIFI / Bluetooth module
	EMV payment device	With PCI-certified PIN pad
	NFC Reader	ISO/IEC 14443A Mifare
Construction	Aluminum	Aluminum
Chassis Color	White	White
IP Rating	Front side IP4X	Front side IP4X
Mounting	VEAS 400x200/200x200 Stand-Pole for option	VEAS 400x200/200x200 Stand-Pole for option
Dimensions	1065 x 490 x 288 mm (portrait display mode) 720 x 835 x 288 mm (landscape display mode)	1065 x 490 x 288 mm (portrait display mode) 720 x 835 x 288 mm (landscape display mode)
Weight	40kgs	40kgs

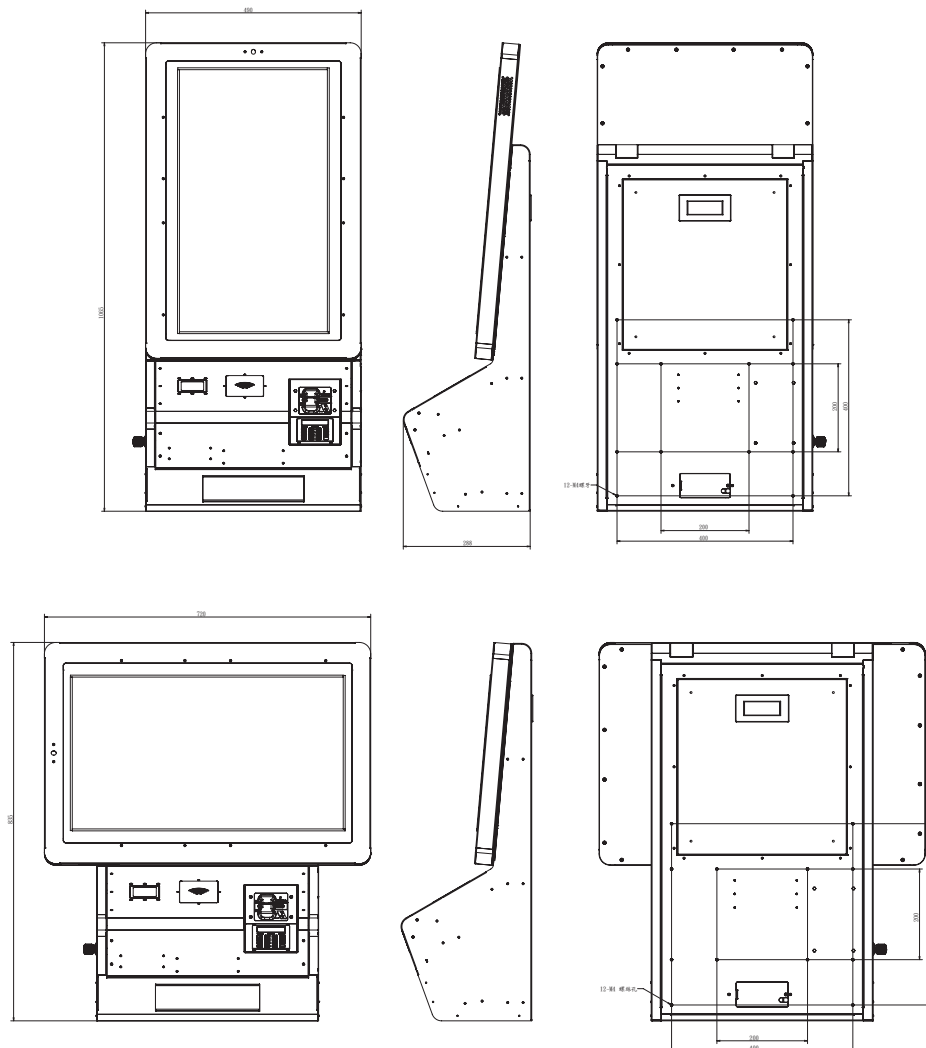
IKS2700I / IKS2700A

Operating Temperature	-5°C~50°C
Storage Temperature	-20°C~70°C
Storage Humidity	10%~90% @40°C (non-condensing)
Vibration	IEC60068-2-64 ed2.0 2008-04
Shock	MIL-STD-810G 516.6
Certification	Meet CE/FCC Class-A +LVD
Operating Systems	Windows 10 IoT

Ordering Information

IKS2700I	27" 1920x1080 IBASE KIOSK System, Intel® i7 8665UE processor, 4GB DDR4 memory, 2x 64GB 2.5" SSD, thermal printer, NFC reader, barcode scanner, PIN Pad, integrated camera, projected capacitive touch screen, pre-installed Windows 10 IoT, 100V~240V AC power input
IKS2700A	27" 1920x1080 IBASE KIOSK System, AMD Ryzen™ V1605B QC APU, 4GB DDR4 memory, 1x 64GB 2.5" SSD, 1x 64G M2280 M.2, thermal printer, NFC reader, barcode scanner, PIN Pad, integrated camera, projected capacitive touch screen, pre-installed Windows 10 IoT, 100V~240V AC power input

System Dimensions





Features

- 21.5" LCD panel, 1920 x 1080
- Projected capacitive touch screen, supports multi touch
- Built-in webcam with digital microphone
- Optional wireless solution
- Supports 2x speakers
- IP65 front-panel waterproof protection

System Specifications

System Mainboard	IB917	
CPU	Intel® Core™ i7-7600U 2.8 GHz (VINO2100-I76) Intel® Core™ i5-7300U 2.6 GHz (VINO2100-I73) Intel® Core™ i3-7100U 2.4 GHz (VINO2100-I71)	
Memory	2x DDR4 SO-DIMM, up to 32 GB, default 4GB	
Construction	Aluminum	
Chassis Color	White	
Rear Panel External I/O	2x RJ45 Gigabit LAN 1x HDMI 1x DP 4x USB3.0 Type-A 1x D-SUB9 COM1 RS-232/422/485 1x Rock switch 1x Power jack	
Storage	1x 2.5" HDD space default 64GB SSD	
Camera	1x USB 1080P camera with digital microphone	
Speaker	2x speaker	
Expansion Slots	1x miniPCI-E Full-size	
Power Supply	DC 24V	
LCD Panel	Panel Size	21.5" TFT-LCD
	Max. Resolution	1920 x 1080
	Luminance (cd/m2)	1000
	Max. Color	16.2M
	View Angle (H°/V°)	178/178
	Backlight Lifetime (hrs)	50,000
Touch Screen	Touch Type	Projected capacitive
	Touch Interface	USB
	Light Transmission (%)	86

Mounting	VESA 100x100/200x100 Desktop stand & Stand pole (option)
Dimensions	537.8 x 329.26 x 71.95 mm 548.65 x 500 x 242 mm (with desktop stand) 1750 x 550 x 500 mm (with stand pole)
Weight	5.7kg
Operating Temperature	0°C~50°C
Storage Temperature	-20°C~70°C
Relative Humidity	10%~90% @40°C (non-condensing)
Vibration	IEC60068-2-64 ed2.0 2008-04
Shock	MIL-STD-810G 516.6
Certification	CE/FCC Class-A +LVD, VCCI
Operating Systems	Windows 10 64-bit

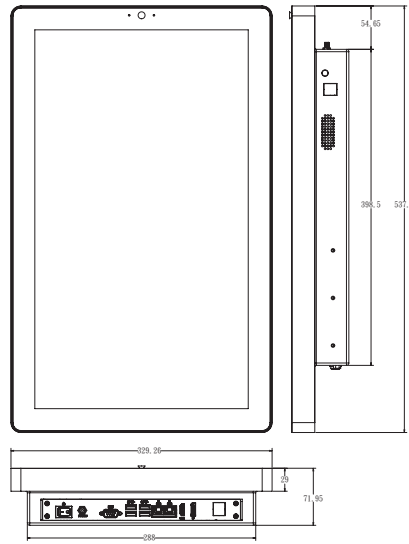
Ordering Information

VINO2100-I76	21.5" 1920x1080 Fanless Panel PC, Intel® Core™ i7 7600U processor, 4GB DDR4 memory, 64GB SSD, projected capacitive touch screen w/ 24V 180W adaptor
VINO2100-I73	21.5" 1920x1080 Fanless Panel PC, Intel® Core™ i5 7300U processor, 4GB DDR4 memory, 64GB SSD, projected capacitive touch screen w/ 24V 180W adaptor
VINO2100-I71	21.5" 1920x1080 Fanless Panel PC, Intel® Core™ i3 7100U processor, 4GB DDR4 memory, 64GB SSD, projected capacitive touch screen w/ 24V 180W adaptor
VINODKM (option)	Desktop Mounting Stand for VINO2100 (SC2VINO21000A1100R)
ASP001 (option)	Stand Pole for VINO2100 (A018VINO210000100P)

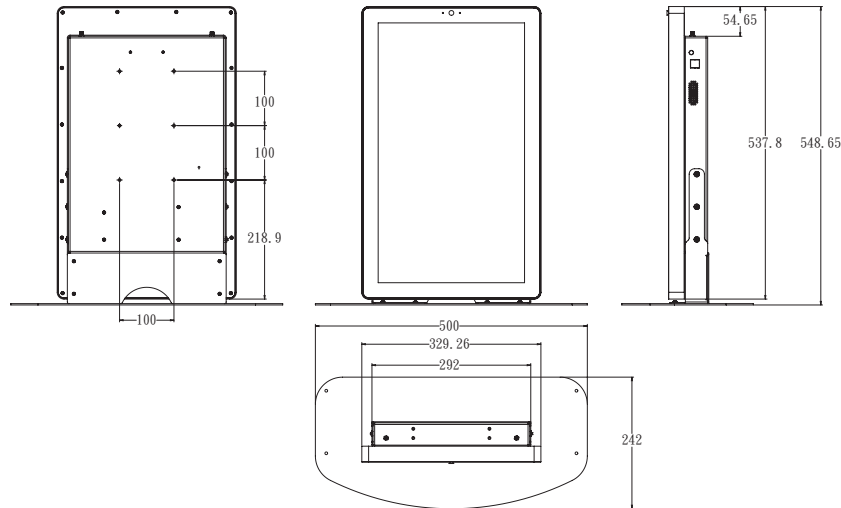
* Intel is committed to respecting human rights and avoiding complicity in human rights abuses. See Intel's Global Human Rights Principles. Intel's products and software are intended only to be used in applications that do not cause or contribute to a violation of an internationally recognized human right.

VIN02100 Series

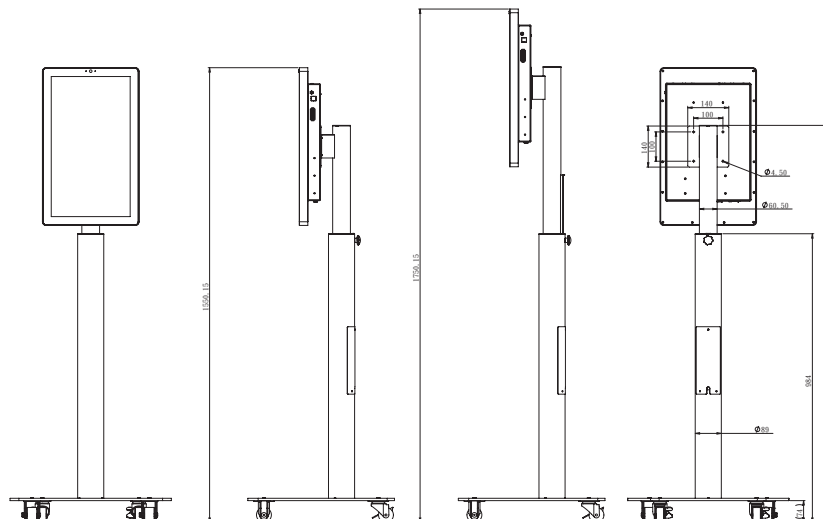
System Dimensions



System with Desktop Dimensions



System with Stand Pole Dimensions



IPPC Series



I/O View



Features

- Fanless design



- Front side accessible USB port



- Two PCI-E(x8) expansion slots



- Rich and flexible I/O interface



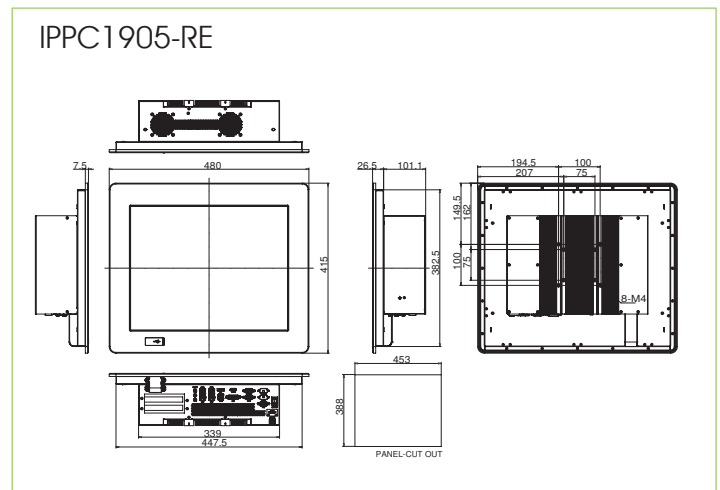
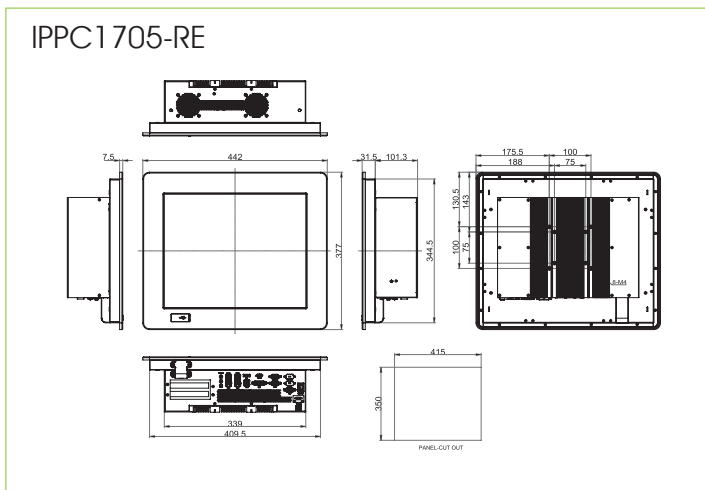
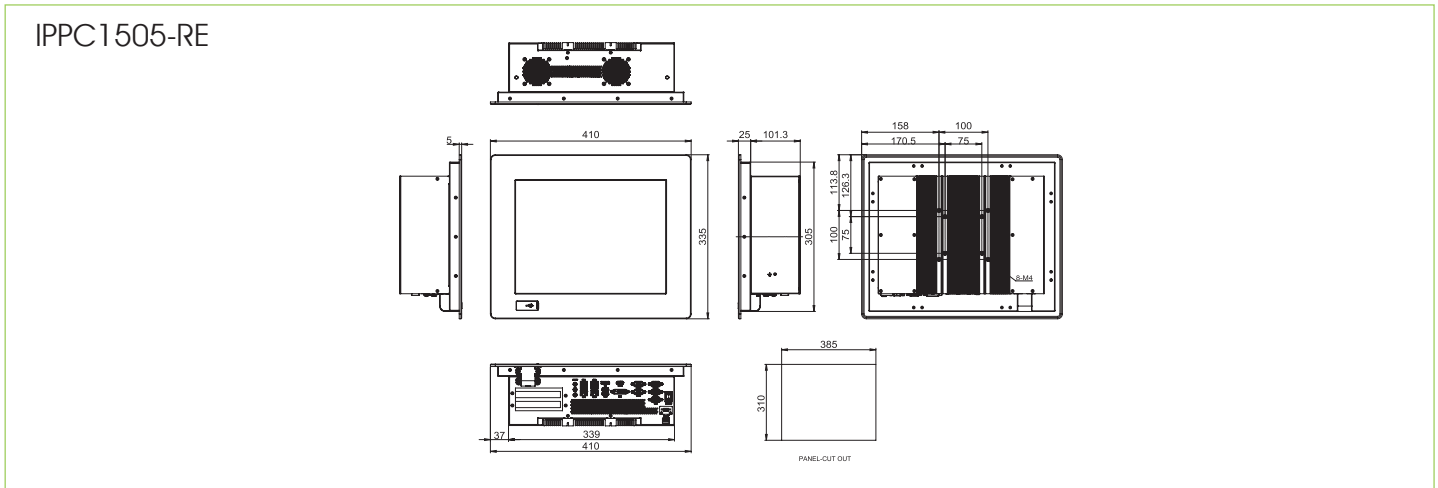
IPPC1505-RE / IPPC1705-RE / IPPC1905-RE

Specifications

Model No.		IPPC1505-RE	IPPC1705-RE	IPPC1905-RE
Display & Touch Screen	Display Size	15"	17"	19"
	Max. Resolution	1024 x 768	1280 x 1024	1280 x 1024
	Luminance (cd/m2)	420	350	350
	Contrast	600:1	800:1	1000:1
	Max. Color	16.2M	16.7M	16.7M
	View Angle (H/V)	160/160	160/140	170/160
	Backlight Lifetime(hrs)	50000	50000	50000
	Touch Type	Resistive		
	Touch Interface	USB		
	Light Transmission (%)	79		
	Point of touch	1		
I/O Interface	USB 3.0	6		
	USB 2.0	1x at front bezel		
	RS-232/422/485 Selectable in BIOS	1		
	RS-232	1		
	LAN	2x GbE LAN		
	Additional Graphics	1x DVI-D 1x DP 1x HDMI (1.4)		
	Audio	1x 3.5 mm phone jack for line -out		
	Digital I/O	Optional 4-in/4-out GPIO		
	Power Connector	3-pin terminal block		
	Power Button	Rock switch		
Mechanical	Dimensions (mm)	410 x 335 x 126.3	442 x 377 x 132.8	480 x 415 x 127.6
	Net Weight (kgs)	9.3	10	10.4
System	Processor	Intel® Core™ i7-6822EQ/ Core™ i5-6442EQ/ Core™ i5-6440EQ/ Core™ i3-6100E		
	Memory	Max. 32GB, Default 4GB		
	Thermal Design	Fanless		
	Membrane Control	None		
	Built-in Speaker/MIC	None		
Expansion	Internal Expansion Bus	1x M.2 M Key 1x miniPCI-E full/half size, mSATA supports		
	Expansion Slot	2x PCI-E x8		
	Wireless	Optional		
Storage Space	HDD	2x 2.5" HDD space default one 64GB SSD		
	Removable	None		
Power	Power Input Range	12V/24VDC		
Construction	Chassis Material	Aluminum and SGCC		
	Color (Front/Back)	Black/Black		
	IP Rating	Front Side IP65		
	Mounting	VESA 75 x75 /100x100		
Environmental	Operating Temperature	0°C~ 40°C (with HDD) 0°C~ 50°C (with SSD)		
	Storage Temperature	-20°C~70°C		
	Storage Humidity	10%~90% @40°C (non-condensing)		
	Certification	CE/FCC Class-B +LVD		
	Supported Operating Systems	Windows 7, Windows 10, 32-bit/64-bit, Linux Kernel 3+		

IPPC1505-RE / IPPC1705-RE / IPPC1905-RE

Dimensions



Ordering Information

IPPC1505-RE-17	15" Industrial Panel PC, 6th Gen Intel® Core™ i7-6822EQ, 4GB DDR4 RAM, 64G SATA SSD, resistive touch, 2x PCI-E x8 slots, with power adaptor
IPPC1505-RE-15	15" Industrial Panel PC, 6th Gen Intel® Core™ i5-6442EQ, 4GB DDR4 RAM, 64G SATA SSD, resistive touch, 2x PCI-E x8 slots, with power adaptor
IPPC1505-RE-13	15" Industrial Panel PC, 6th Gen Intel® Core™ Core™ i3-6100E, 4GB DDR4 RAM, 64G SATA SSD, resistive touch, 2x PCI-E x8 slots, with power adaptor
IPPC1705-RE-17	17" Industrial Panel PC, 6th Gen Intel® Core™ i7-6822EQ, 4GB DDR4 RAM, 64G SATA SSD, resistive touch, 2x PCI-E x8 slots, with power adaptor
IPPC1705-RE-15	17" Industrial Panel PC, 6th Gen Intel® Core™ i5-6440EQ, 4GB DDR4 RAM, 64G SATA SSD, resistive touch, 2x PCI-E x8 slots, with power adaptor
IPPC1705-RE-13	17" Industrial Panel PC, 6th Gen Intel® Core™ Core™ i3-6100E, 4GB DDR4 RAM, 64G SATA SSD, resistive touch, 2x PCI-E x8 slots, with power adaptor
IPPC1905-RE-17	19" Industrial Panel PC, 6th Gen Intel® Core™ i7-6822EQ, 4GB DDR4 RAM, 64G SATA SSD, resistive touch, 2x PCI-E x8 slots, with power adaptor
IPPC1905-RE-15	19" Industrial Panel PC, 6th Gen Intel® Core™ i5-6440EQ, 4GB DDR4 RAM, 64G SATA SSD, resistive touch, 2x PCI-E x8 slots, with power adaptor
IPPC1905-RE-13	19" Industrial Panel PC, 6th Gen Intel® Core™ Core™ i3-6100E, 4GB DDR4 RAM, 64G SATA SSD, resistive touch, 2x PCI-E x8 slots, with power adaptor

IPPC Series



I/O View



IPPC1003-PC



IPPC1203-RE



IPPC1503-RE

Features

- Cost effective
- Low power consumption
- IP65 front-panel waterproof protection



- PCI-E (x1) and PCI expansion
(Not for IPPC1003-PC)



- Front-side access USB 2.0 port
(IPPC1503-RE / IPPC1703-RE / IPPC1903-RE only)



- Projected capacitive touch screen
(IPPC1003-PC only)



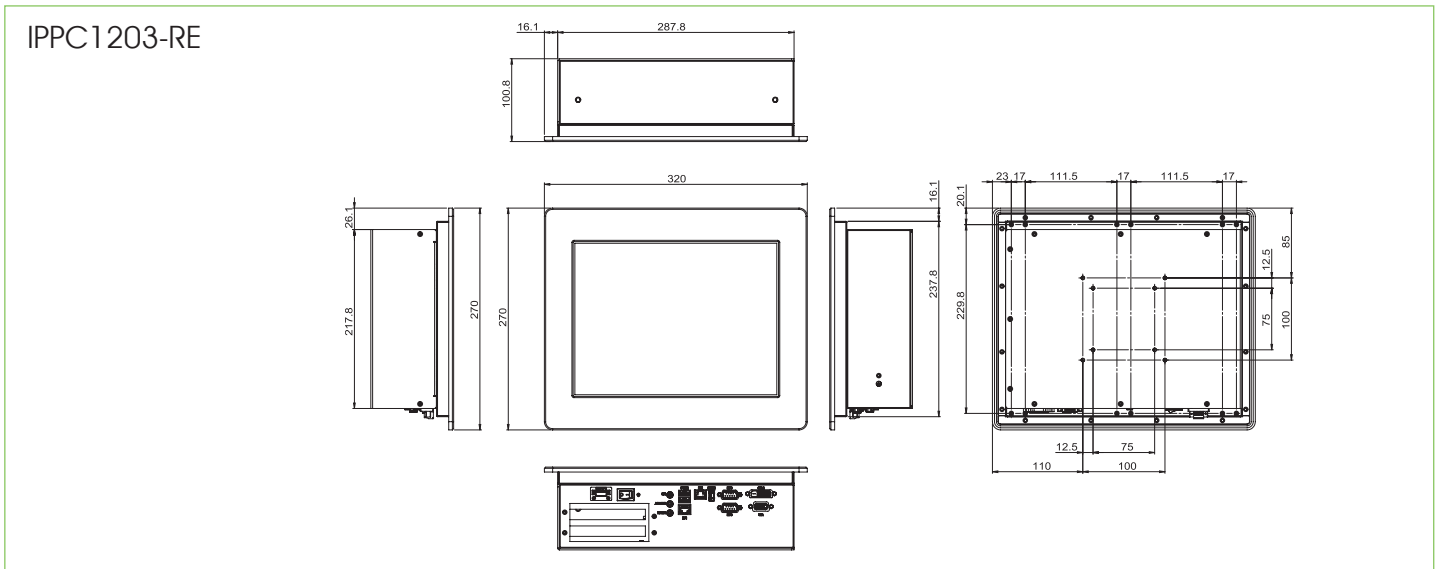
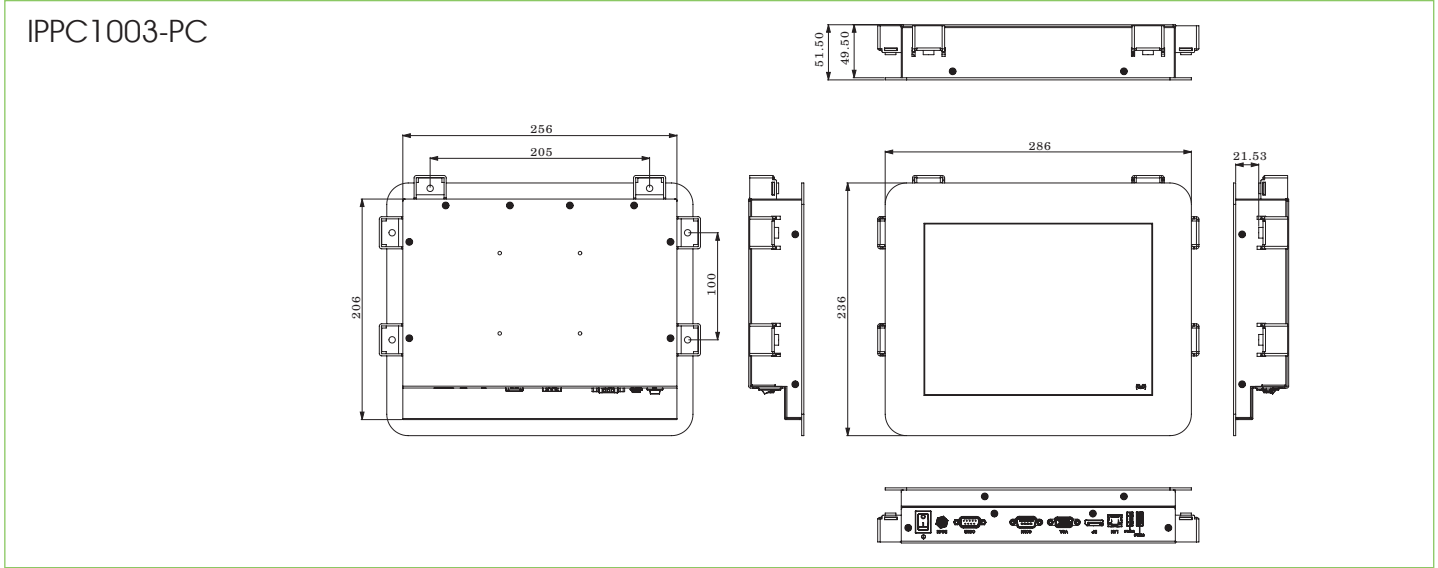
Specifications

Model No.		IPPC 1003-PC	IPPC 1203-RE
Display & Touch Screen	Display Size	10.4" TFT-LCD	12.1" TFT-LCD
	Max. Resolution	1024 x 768	1024 x 768
	Luminance (cd/m ²)	350	350
	Contrast	700:1	800:1
	Max. Color	16.7M	16.7M
	View Angle (H°/V°)	150/150	170/170
	Backlight Lifetime(hrs)	30,000	30,000
	Touch Type	Projected capacitive	Resistive
	Touch Interface	USB	USB
	Light Transmission (%)	85	79
	Point of touch	Up to 2	1
I/O Interface	USB 3.0	1	1
	USB 2.0	1	2 at rear side
	RS-232/422/485 Selectable in BIOS	1	1
	RS-232	1	1
	LAN	1x GbE	2x GbE
	Additional Graphics	DP and VGA	1x VGA and DVI-D
	Audio	None	MIC in/ Line in/Line out phone jack
	Digital I/O	None	None
	Power Connector	Power jack	Terminal block (Jack type option)
	Power Button	Rock switch	Rock switch
Mechanical	Dimensions (mm)	286 x 236 x 51.5	320 x 270 x 101
	Net Weight (kgs)	2.2	7.5
System	Processor	Intel® Atom® Processor E3815 1.46GHz	Intel® Celeron® Processor J1900 2.42GHz
	Memory	1x DDR3L SO-DIMM, up to 4GB, default 2GB	2x DDR3L SO-DIMM, up to 8GB, default 4GB
	Thermal Design	Fanless	Fanless
	Membrane Control	None	None
	Built-in Speaker/MIC	None	None
Expansion	Internal Expansion Bus	1x Mini PCI-E(x1) [full/half-size] 2x Mini PCI-E(x1) [half-size]	1x Mini PCI-E half size 1x Mini PCI-E full/half size, mSATA supports
	Expansion Slot	None	1x PCI-E (x1) and 1x PCI
	Wireless	Optional	Optional
Storage Space	HDD	1x 2.5" SATA	1x 2.5" SATA HDD, default 2.5" 64G MLC SSD
	Removable	None	None
Power	Power Input Range	12V DC	12V/24V DC input
Construction	Chassis Material	SGCC with aluminum heat-sink, Black	SGCC
	Color (Front/Back)	Black/Black	Black / Black
	IP Rating	IP65 rated front bezel	Front IP65/Back IP30
	Mounting	Panel mount and VESA 75x75mm	VESA 75x75 / 100x100, panel mounting
Environmental	Operating Temperature	-20°C ~ 50°C	0°C ~ 50°C (with SSD) 0°C ~ 40°C (with HDD)
	Storage Temperature	-30°C ~ 80°C	-20°C~60°C
	Storage Humidity	10%~90% (non-condensing)	10%~90% (non-condensing) at 40°C
	Certification	CE/FCC Class-B and LVD	CE/FCC Class-B and LVD/CB/CCC
	Supported Operating Systems	Windows 8 32/64-bit, Windows 7 Pro for Embedded 64-bit, WES7 64-bit	Windows 7 Professional/WES 7 and 8/Windows 8.1/ Windows 10 Linux Kernel 3.X

Specifications

Model No.		IPPC1503-RE	IPPC1703-RE	IPPC1903-RE
Display & Touch Screen	Display Size	15" TFT-LCD	17" TFT-LCD	19"
	Max. Resolution	1024 x 768	1280 x 1024	1280 x 1024
	Luminance (cd/m ²)	420	250	350
	Contrast	800:1	1000 : 1	1000:1
	Max. Color	16.2M	16.7M	16.7M
	View Angle (H°/V°)	160/160	178/170	170/160
	Backlight Lifetime(hrs)	30,000	50,000	50,000
	Touch Type	Resistive		
	Touch Interface	USB		
	Light Transmission (%)	79	80	80
	Point of touch	1		
I/O Interface	USB 3.0	1		
	USB 2.0	2x at rear and 1 at front side with cover		
	RS-232/422/485 Selectable in BIOS	1		
	RS-232	1		
	LAN	2x GbE		
	Additional Graphics	1x VGA and DVI-D		
	Audio	MIC in/ Line in/Line out phone jack		
	Digital I/O	None		
	Power Connector	Terminal block (Jack type option)		
	Power Button	Rock switch		
Mechanical	Dimensions (mm)	410 x 335 x 105	442 x 377 x 102.5	480 x 415 x 106.5
	Net Weight (kgs)	8.7	9.7	10.97
System	Processor	Intel® Celeron® Processor J1900 2.42GHz		
	Memory	2x DDR3L SO-DIMM, up to 8GB, default 4GB		
	Thermal Design	Fanless		
	Membrane Control	None		
	Built-in Speaker/MIC	None		
Expansion	Internal Expansion Bus	1x Mini PCI-E half size 1x Mini PCI-E full/half size, mSATA supports		
	Expansion Slot	1x PCI-E (x1) and 1x PCI		
	Wireless	Optional		
Storage Space	HDD	1x 2.5" SATA HDD, default 2.5" 64G MLC SSD		
	Removable	None		
Power	Power Input Range	12V/24V DC input		
Construction	Chassis Material	SGCC		
	Color (Front/Back)	Black / Black		
	IP Rating	Front IP65/Back IP30		
	Mounting	VESA 75x75 / 100x100, panel mounting		
Environmental	Operating Temperature	0°C ~ 50°C (with SSD) 0°C ~ 40°C (with HDD)		
	Storage Temperature	-20°C~60°C		
	Storage Humidity	10%~90% (non-condensing) at 40°C		
	Certification	CE / FCC Class-B and LVD		
	Supported Operating Systems	Windows 7 Professional/ WES 7 and 8/ Windows 8.1/ Windows 10 Linux Kernel 3.X		

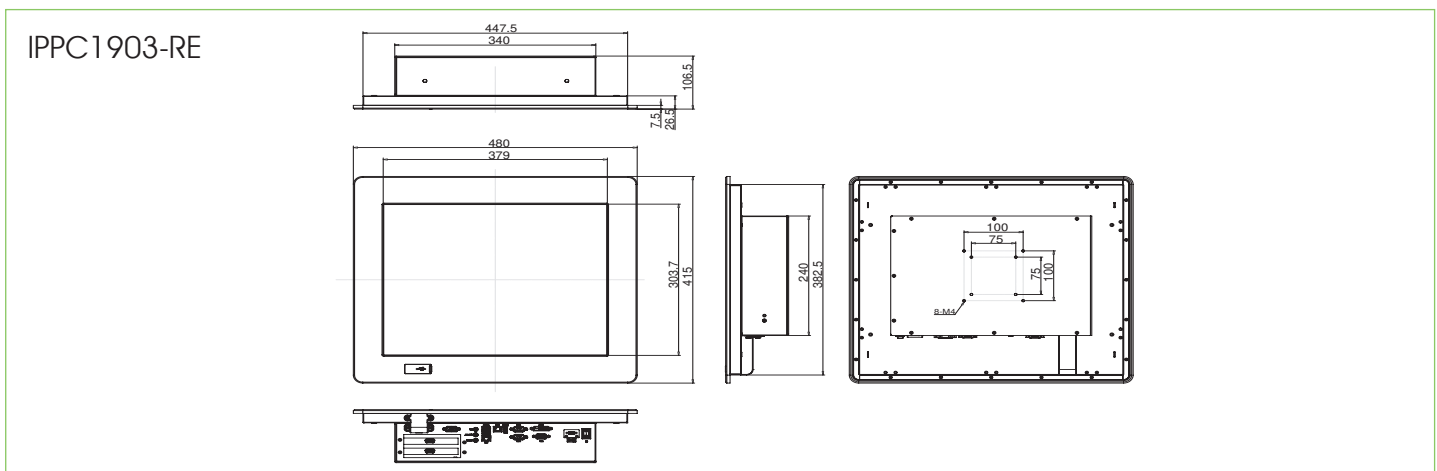
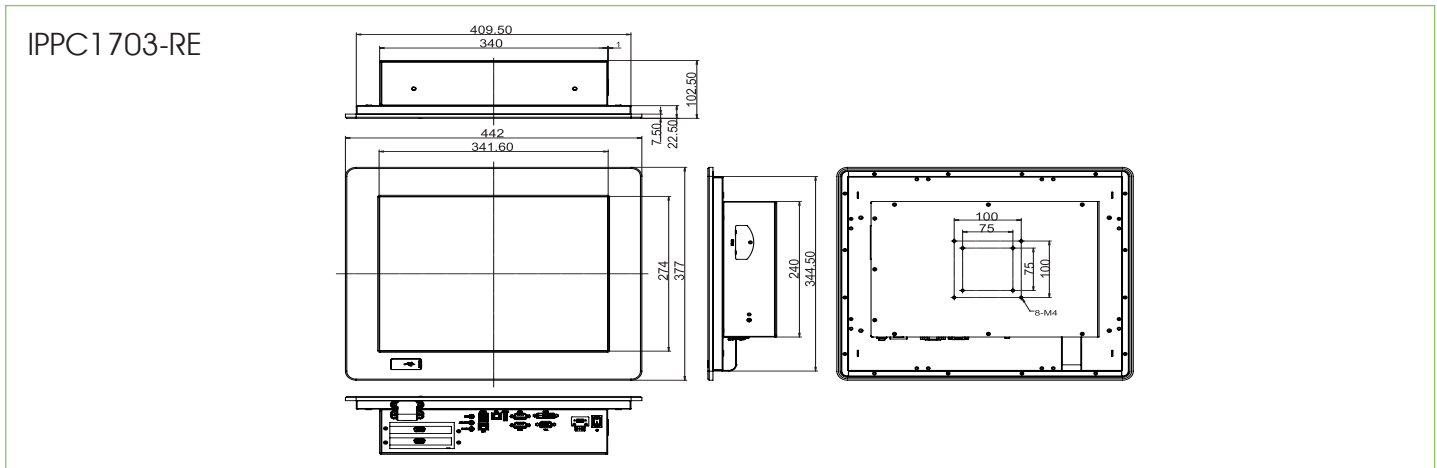
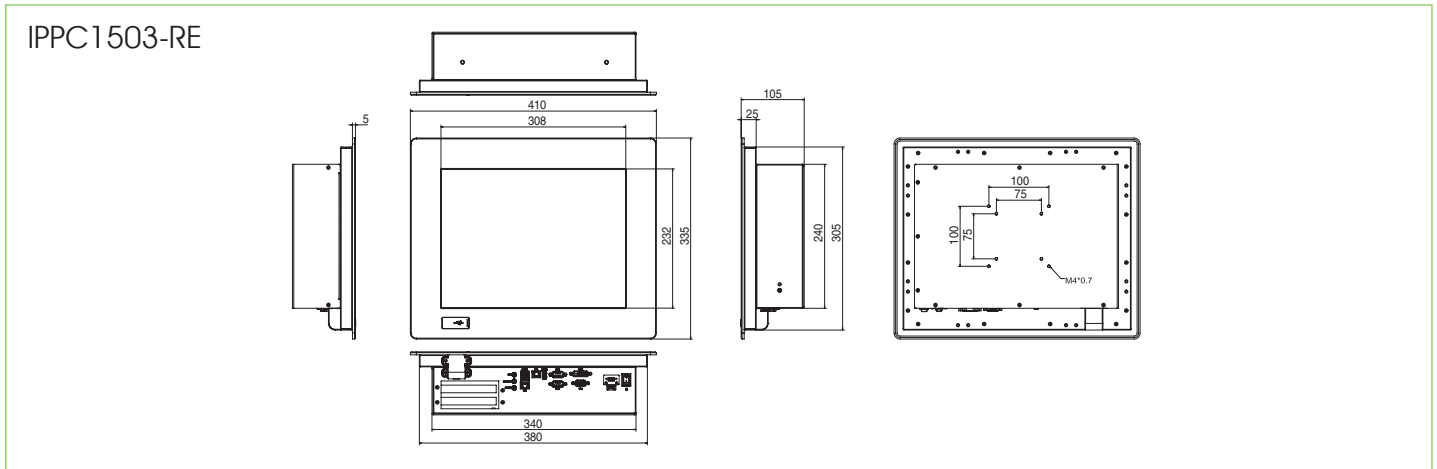
Dimensions



Ordering Information

IPPC1003-PC	10.4" (1024 x 768) Panel PC with IB898, Intel® Atom® Processor E3815 1.46GHz, 2GB DDR3L SO-DIMM, 64G SSD, projected capacitive touch, 60W power adaptor
IPPC1203-RE	12.1" (1024 x 768) Panel PC with MI805, Intel® Celeron® Processor J1900 2.42GHz, 4GB RAM, 64GB MLC SSD, PCI-E (x1) and PCI riser card, resistive touch screen, 12V or 24V DC power input, with power adaptor

Dimensions



Ordering Information

IPPC1503-RE	15" (1024 x 768) Panel PC with MI805, Intel® Celeron® Processor J1900 2.42GHz, 4GB RAM, 64GB MLC SSD, PCI-E (x1) and PCI riser card, resistive touch screen, 12V or 24V DC power input, with power adaptor
IPPC1703-RE	17" (1280 x 1024) Panel PC with MI805, Intel® Celeron® Processor J1900 2.0GHz, 4GB DDR3L SO-DIMM, 64G SSD, resistive touch screen, 12V or 24V power input, with power adapter
IPPC1903-RE	19.1" (1280 x 1024) Panel PC with MI805, Intel® Celeron® Processor J1900 2.42GHz, 4GB RAM, 64GB MLC SSD, PCI-E (x1) and PCI riser card, resistive touch screen, 12V or 24V DC power input, with power adaptor

IPPC1503-REN/IPPC1903-REN

Heavy-duty Industrial Panel PC

Low-power All-in-One Panel PC with Intel® Celeron J1900



Features

- Cost effective
- Low power consumption
- IP65-rated front bezel
- Front side access USB 2.0 port

I/O View



IPPC1503-REN



IPPC1903-REN

Specifications

Model No.		IPPC1503-REN	IPPC1903-REN
Display & Touch Screen	Display Size	15" TFT-LCD	19" TFT-LCD
	Max. Resolution	1024 x 768	1280 x 1024
	Luminance (cd/m2)	420	350
	Contrast	800:1	1000:1
	Max. Color	16.2M	16.7M
	View Angle (H/V)	160/160	170/160
	Backlight Lifetime(hrs)	30,000	50,000
	Touch Type	Resistive	Resistive
	Touch Interface	USB	USB
	Light Transmission (%)	79	80
	Point of touch	1	1
	I/O Interface	USB 3.0	1
USB 2.0		2 at rear and 1 at front side with cover	2 at rear and 1 at front side with cover
RS-232/422/485 Selectable in BIOS		1	1
RS-232		1	1
LAN		2x GbE	2x GbE
Additional Graphics		1x VGA and DVI-D	1x VGA and DVI-D
Audio		MIC in/ Line in/Line out phone jack	MIC in/ Line in/Line out phone jack
Digital I/O		None	None
Power Connector		Terminal block (Jack type as option)	Terminal block (Jack type as option)
Power Button		Rock switch	Rock switch
Mechanical	Dimensions (mm)	410 x 335 x 79	480 x 415 x 80.5
	Net Weight (kgs)	7	10
System	Processor	Intel® Celeron Processor J1900 2.42GHz	Intel® Celeron Processor J1900 2.42GHz
	Memory	2x DDR3L SO-DIMM, up to 8GB, default 4GB	2x DDR3L SO-DIMM, up to 8GB, default 4GB
	Thermal Design	Fanless	Fanless
	Membrane Control	None	None
	Built-in Speaker/MIC	None	None
Expansion	Internal Expansion Bus	1x Mini PCI-E half size 1x Mini PCI-E full/half size, mSATA support	1x Mini PCI-E half size 1x Mini PCI-E full/half size, mSATA support
	Expansion Slot	None	None
	Wireless	Optional	Optional

IPPC1503-REN/IPPC1903-REN

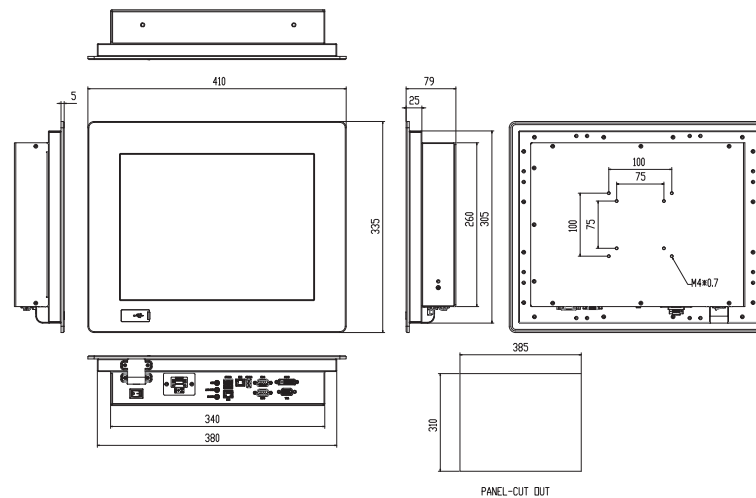
Storage Space	HDD	1x 2.5" SATA HDD, default 2.5" 64G MLC SSD	1x 2.5" SATA HDD, default 2.5" 64G MLC SSD
	Removable	None	None
Power	Power Input Range	12V/24V DC Input	12V/24V DC Input
Construction	Chassis Material	SGCC	SGCC
	Color (Front/Back)	Black/Black	Black/Black
	IP Rating	Front IP65/Back IP30	Front IP65/Back IP30
	Mounting	VESA 75x75/100x100, panel mounting	VESA 75x75/100x100, panel mounting
Environmental	Operating Temperature	0°C ~ 50°C (with SSD) 0°C ~ 40°C (with HDD)	0°C ~ 50°C (with SSD) 0°C ~ 40°C (with HDD)
	Storage Temperature	-20°C~60°C	-20°C~60°C
	Storage Humidity	10%~90% (non-condensing) at 40°C	
	Certification	CE / FCC Class-B and LVD	
	Supported Operating Systems	Windows 7 Professional/ WES 7and 8/ Windows 8.1/ Windows 10 Linux Kernel 3.X	

Ordering Information

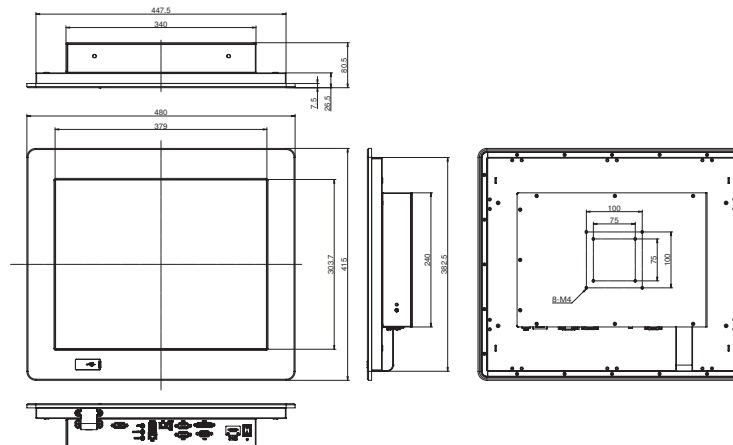
IPPC1503-REN	15" (1024 x 768) Panel PC with M1805, Intel® Celeron® Processor J1900 2.42 GHz, 4GB RAM, 64GB MLC SSD, resistive touch screen, 12V or 24V DC power input, w/o power adaptor
IPPC1903-REN	19.1" (1280 x 1024) Panel PC with M1805, Intel® Celeron® Processor J1900 2.42 GHz, 4GB RAM, 64GB MLC SSD, resistive touch screen, 12V or 24V DC power input, w/o power adaptor

Dimensions

IPPC1503-REN



IPPC1903-REN



ASTUT-W155-PC1S

Heavy-duty Industrial Panel PC

All-in-One Panel PC with 7th/6th Gen Intel® Core™ i5 Processor and Riser Card Expansion

ASTUT Series

15.6"



I/O View



ASTUT-W155-PC1S



TAIWAN
EXCELLENCE
2016

Features

- Optional digitizer touch pen supports
- Optional wireless communication
- Full flat bezel design



- I/O cover for cable arrangement
- Aluminum housing, perfect thermal design



- With riser card expansion slot supports
- PCI-E (x4) for ASTUT-W155-PC1S



- 12V~24V DC wide-range power input



ASTUT-W155-PC1S

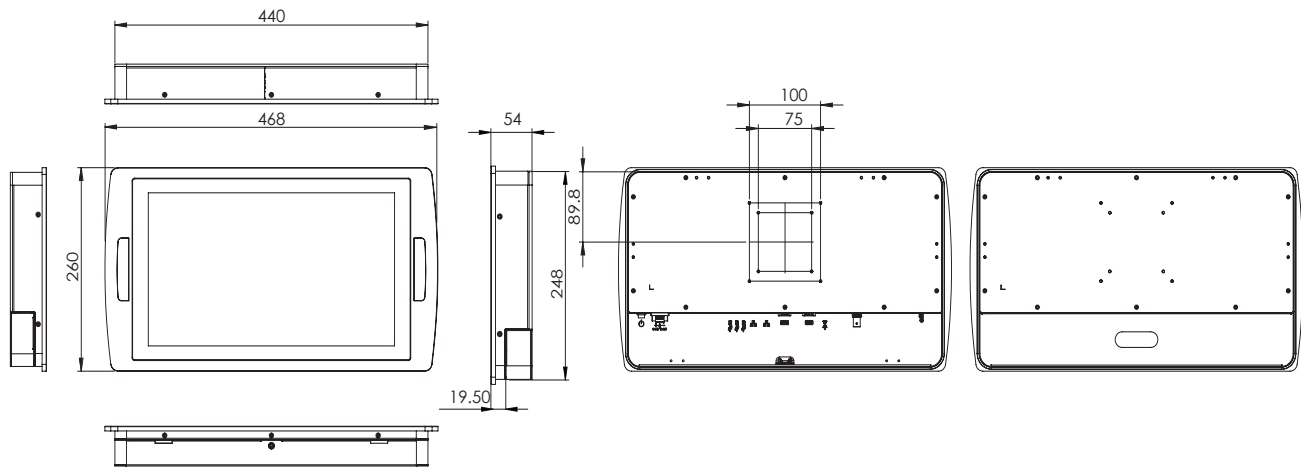
Specifications

Model No.	ASTUT-W155-PC1S	
Display & Touch Screen	Display Size	15.6" TFT-LCD
	Max. Resolution	1366 x 768
	Luminance (cd/m ²)	300
	Contrast	500:1
	Max. Color	16.7M
	View Angle (H°/V°)	160/160
	Backlight Lifetime(hrs)	50,000
	Touch Type	Projected capacitive
	Touch Interface	USB
	Light Transmission (%)	85
	Point of touch	2
I/O Interface	USB 3.0	4
	USB 2.0	0
	RS-232/422/485 Selectable in BIOS	1
	RS-232	RS-485 only
	LAN	2x GbE
	Additional Graphics	1x HDMI
	Audio	None
	Digital I/O	None
	Power Connector	3-pin terminal block
	Power Button	Rock switch
Mechanical	Dimensions (mm)	468 x 260 x 54
	Net Weight (kgs)	7
System	Processor	Intel® Core™ i5-6300U 2.4GHz Intel® Core™ i5-7300U 2.4GHz
	Memory	2x DDR4 2133 SO-DIMM, up to 16GB, default 4GB
	Thermal Design	Fanless
	Membrane Control	None
	Built-in Speaker/MIC	None
Expansion	Internal Expansion Bus	1x Mini PCI-E Half/Full size 1x M.2 22x30
	Expansion Slot	1x PCI-E(x4)
	Wireless	Optional Wi-Fi/BT/LTE/3G/RFID
Storage Space	HDD	1x 2.5" M.2 22x80 default 64GB Optional 2.5" HDD
	Removable	None
Power	Power Input Range	12V~24V DC
Construction	Chassis Material	Aluminum silver
	Color (Front/Back)	Silver / Silver
	IP Rating	IP65 front bezel
	Mounting	Panel mount and VESA 75x75, 100x100 mm
Environmental	Operating Temperature	0°C ~ 50°C
	Storage Temperature	-20°C ~ 60°C
	Storage Humidity	10%~90% (non-condensing)
	Certification	CE/FCC Class-B and LVD
	Supported Operating Systems	Windows 10, Windows 8.1 64-bit Windows 7 (Intel® Core™ i5-6300U 2.4GHz SKU only)

ASTUT-W155-PC1S

Dimensions

ASTUT-W155-PC1S



Ordering Information

ASTUT-W155-PC1S-K73	15.6" (1366 x 768) Panel PC with IBP-900, 7th Gen Intel® Core™ i5 7300U processor, 64GB M.2 SSD, PCI-E(x4) riser card, projective touch screen, 12V~24V DC power input, w/o power adaptor
ASTUT-W155-PC1S-S63	15.6" (1366 x 768) Panel PC with IBP-900, 6th Gen Intel® Core™ i5 6300U processor, 64GB M.2 SSD, PCI-E(x4) riser card, projective touch screen, 12V~24V DC power input, w/o power adaptor
Power adaptor (Optional)	AC 90V~240V input, 12V DC output 84W power adaptor, IBASE P/N: A005PS084W0050000P

IPPD1560RF

Heavy-duty Industrial Monitor

15.6" 1920 x 1080 VGA/AUDIO/ DVI/RFID Monitor



Features

- Flat Panel Design
- Projected Capacitive Touch
- Multiple signal interfaces with VGA & DVI
- Built-in 13.56 MHz RFID reader
- Supports 1920 x 1080 front web camera
- OSD Keypad Control at top side
- DC 12V Power Input



Specifications

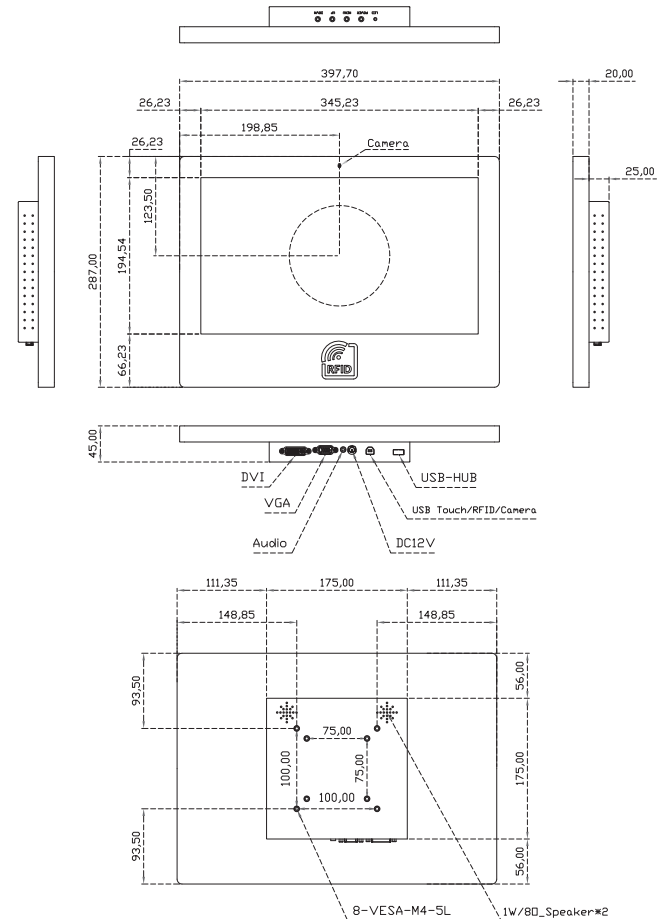
Display & Touch Screen	Display Size	15.6" TFT-LCD
	Max. Resolution	1920 x 1080
	Luminance (cd/m2)	300
	Contrast	700:1
	Max. Color	262K
	View Angle (H/V)	178/178
	Backlight Lifetime(hrs)	15000
	Touch Type	Projected capacitive
	Touch Interface	USB
	Light Transmission (%)	90%
External I/O Port	Point of touch	10
	Signal input	VGA/DVI
	USB	1x USB for touch/RFID/camera 1x USB Hub
	Audio	1x Audio
Mechanical	Power Connector	Power jack
	Dimensions (mm)	397.7 x 287 x 45
System	Net Weight (kgs)	4.5
	Membrane Control	Menu/Enter, Left/Up, Right/Down, Power on/off
	RFID	1x 13.56 MHz RFID Reader
	Built-in Camera	1x 1920 x 1080 front web camera
	Built-in Speaker/Mic	2x Speaker
Power	Power Input Range	12V DC Input
Construction	Chassis Material	SGCC
	Color (Front/Back)	Black
	IP Rating	IP65 front bezel
	Mounting	VESA 75x75, 100x100 mm
Environmental	Operating Temperature	0°C~50°C
	Storage Temperature	-20°C~60°C
	Storage Humidity	10%~90% (non-condensing)
	Certification	CE/FCC Class-A

Ordering Information

IPPD1560RF

15.6" FHD Flat Panel Design Monitor, projected capacitive touch, VGA, DVI, Audio, OSD keypad, camera and RFID reader, 12V DC power input with power adapter

Dimensions



ID00H-210-IR

Outdoor Panel PC
21.5" Outdoor Sunlight Readable Panel PC
with Intel® Atom® Processor E3845

Outdoor Series 21.5"



Features

- Sunlight readable
- Vandal-proof IK06 glass protection
- Wireless supports
- IP65 front-panel waterproof protection and IP33-rated chassis
- Automatic panel brightness, air flow speed and system temperature balance system



Specifications

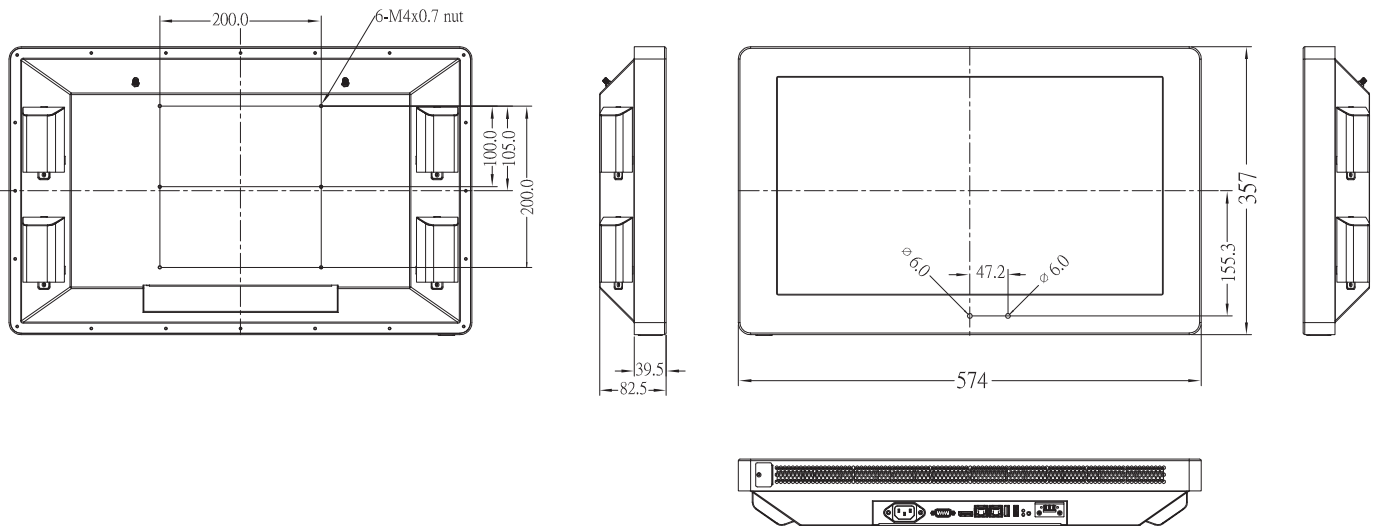
Model No.		ID00H-210-IR
Display & Touch Screen	Display Size	21.5" TFT-LCD
	Max. Resolution	1920 x 1080
	Luminance (cd/m ²)	Up to 1200nits, default @75%
	Contrast	1000:1
	Max. Color	16.7M
	View Angle (H°/V°)	140/120
	Backlight Lifetime(hrs)	50000
	Touch Type	IR touch
	Touch Interface	USB
	Light Transmission (%)	88
Point of touch	1	
I/O Interface	USB 3.0	1
	USB 2.0	1
	RS-232/422/485 Selectable in BIOS	1
	RS-232	0
	LAN	2x GbE
	Additional Graphics	DP
	Audio	None
	Digital I/O	None
	Power Connector	AC inlet
	Power Button	Reset button
Mechanical	Dimensions (mm)	574 x 357 x 82.5
	Net Weight (kgs)	7.5
System	Processor	Intel® Atom® Processor E3845 (Quad-Core @ 1.91GHz)
	Memory	2x DDR3L SO-DIMM, up to 8GB, default DDR3L 4GB (4GBx1)
	Thermal Design	Fan
	Membrane Control	None
	Built-in Speaker/MIC	None

Expansion	Internal Expansion Bus	1x Mini PCI-E(x1) w/ USB signal [half-size] 1x mSATA/Mini PCI-E(x1) w/ USB signal and mSATA Supported [full-size]
	Expansion Slot	None
	Wireless	Optional Wi-Fi/BT
Storage Space	HDD	1x 2.5" SATA
	Removable	None
Power	Power Input Range	90V ~ 240V AC
Construction	Chassis Material	Aluminum front bezel, black Black SGCC + Aluminum chassis
	Color (Front/Back)	Black/Black
	IP Rating	IP65 front-panel waterproof protection
	Mounting	Open-Frame rack mounting VESA 200x200 and 200x100 mm
Environmental	Operating Temperature	Low Temperature: -40°C with installed heater inside High Temperature: with 1120 W/m ² solar energy: 44 °C with 900 W/m ² solar energy: 50 °C
	Storage Temperature	-20°C~60°C
	Storage Humidity	5%~90% @ 50°C, (non-condensing)
	Certification	CE/FCC Class-B
	Supported Operating Systems	Windows 8 32-bit/64-bit, Windows 7 Pro for Embedded 64-bit, WES7 64-bit

IDO0H-210-IR

Dimensions

IDO0H-210-IR



Ordering Information

IDO0H-210-IR	21.5" (1920 x 1080) Outdoor Panel PC with IB897, Intel® Atom® Processor E3845 1.91GHz, 4GB DDR3L SO-DIMM, 64G SSD, IR touch
--------------	---

INOSP-152-RE / INOSP-192-RE

Stainless Steel Panel PC
Fanless Stainless Steel Panel PC
with Intel® Atom® Processor E3845

INOSP Series **15"** **19"**



I/O View



INOSP-152-RE-F/INOSP-192-RE-F
(Full Function)

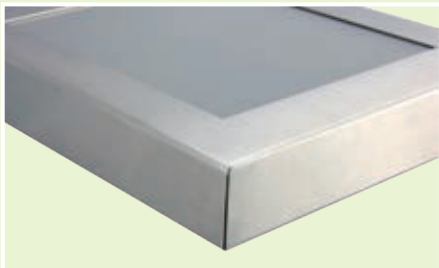


INOSP-152-RE/INOSP-192-RE (Standard)

Features

Special model-By require, MOQ 20pcs

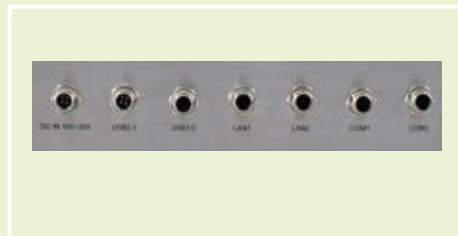
- Fanless design
- Resistive/ Projected capacitive (19" model) touch
- Durable stainless steel housing
- Low power consumption processor



- Wide-range 10V~30V DC power input
- USB 3.0 (Optional)



- M12 I/O port



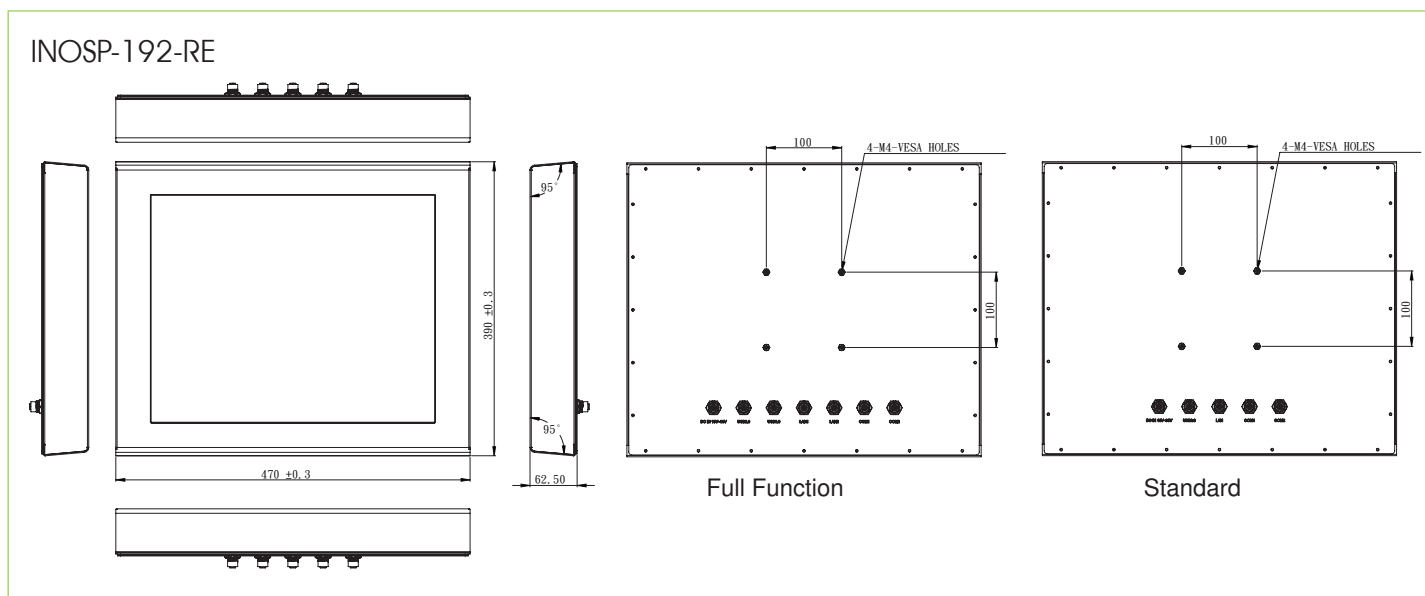
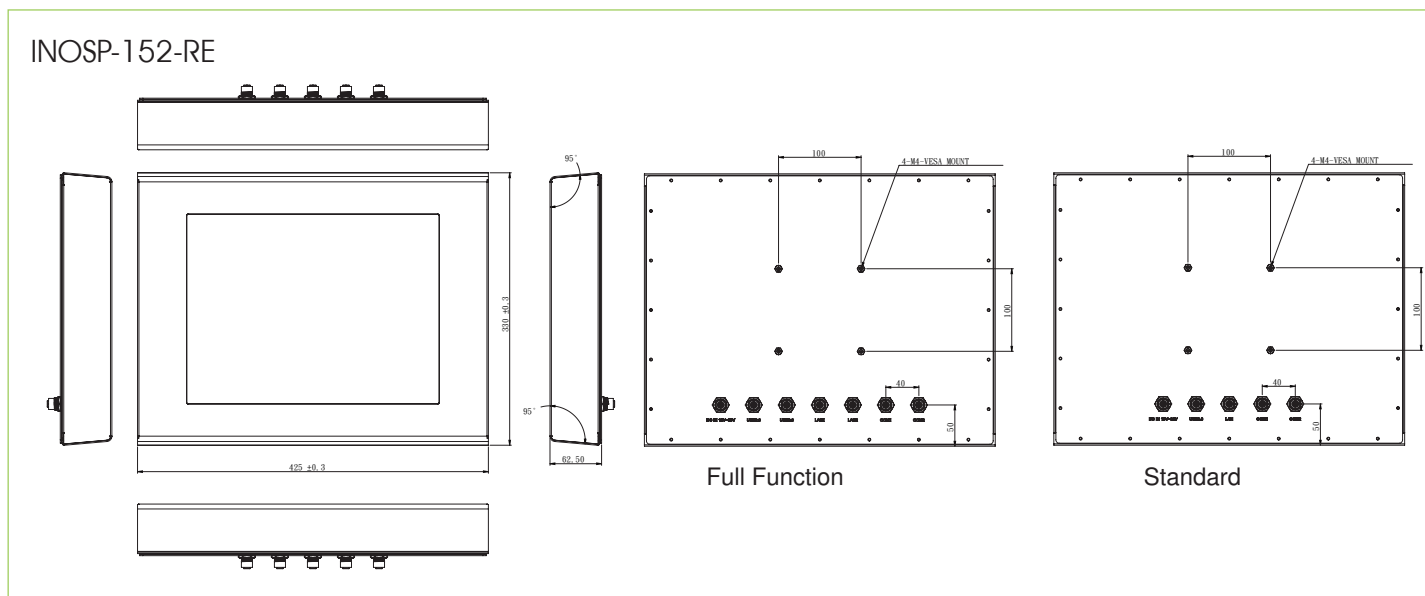
INOSP-152-RE / INOSP-192-RE

Specifications

Model No.		INOSP-152-RE(-F)	INOSP-192-RE(-F)
Display & Touch Screen	Display Size	15" TFT-LCD	19" TFT-LCD
	Max. Resolution	1024 x 768	1280 x 1024
	Luminance (cd/m ²)	500	350
	Contrast	800 : 1	1000 : 1
	Max. Color	16.2M	16.7M
	View Angle (H°/V°)	160/160	170/160
	Backlight Lifetime(hrs)	50,000	50,000
	Touch Type	Resistive	Resistive
	Touch Interface	USB	USB
	Light Transmission (%)	80	80
	Point of touch	1	1
I/O Interface	USB 3.0	Optional (M12)	Optional (M12)
	USB 2.0	1 (M12)	1 (M12)
	RS-232/422/485 Selectable in BIOS	1 (M12)	1 (M12)
	RS-232	1 (M12)	1 (M12)
	LAN	1x GbE (M12) Second LAN for option	1x GbE (M12) Second LAN for option
	Additional Graphics	None	None
	Audio	None	None
	Digital I/O	None	None
	Power Connector	M12 connector	M12 connector
	Power Button	None	None
	Mechanical	Dimensions (mm)	425 x 330 x 62.5
Net Weight (kgs)		13.5	17
System	Processor	Intel® Atom® Processor E3845 1.91GHz	Intel® Atom® Processor E3845 1.91GHz
	Memory	2x DDR3L SO-DIMM, up to 8GB, default 4GB	2x DDR3L SO-DIMM, up to 8GB, default 4GB
	Thermal Design	Fanless	Fanless
	Membrane Control	None	None
	Built-in Speaker/MIC	None	None
Expansion	Internal Expansion Bus	1x Mini PCI-E(x1) [full/half-size] 1x Mini PCI-E(x1) [half-size]	1x Mini PCI-E(x1) [full/half-size] 1x Mini PCI-E(x1) [half-size]
	Expansion Slot	None	None
	Wireless	None	None
Storage Space	HDD	1x 2.5" SATA	1x 2.5" SATA
	Removable	None	None
Power	Power Input Range	10V~30V DC	10V~30V DC
Construction	Chassis Material	304 stainless steel / 316 stainless steel (option)	
	Color (Front/Back)	Silver / Silver	
	IP Rating	IP65 / IP69K	
	Mounting	VESA 75x75mm and 100x100mm	
Environmental	Operating Temperature	0°C ~ 50°C	
	Storage Temperature	-20°C ~ 60°C	
	Storage Humidity	10%~90% (non-condensing)	
	Certification	CE/FCC Class-B and LVD	
	Supported Operating Systems	Windows 10/ Windows 8 32-bit/64-bit, Windows 7 Pro for Embedded 64-bit, WES7 64-bit	

INOSP-152-RE / INOSP-192-RE

Dimensions



Ordering Information

INOSP-152-RE	15" (1024 x 768) Stainless Steel Panel PC with IB897, Intel® Atom® Processor E3845 1.91GHz, 4GB DDR3L SO-DIMM, 64G SSD, resistive touch
INOSP-192-RE	19" (1080 x 1024) Stainless Steel Panel PC with IB897, Intel® Atom® Processor E3845 1.91GHz, 4GB DDR3L SO-DIMM, 64G SSD, resistive touch



Edge I/O

- M23 connector AC input
- 4-pin M12 connector DC output (4-pin definition: +/-/G/earth ground)

Power

Power Supply 90V ~ 240V AC input
 24V DC output @ 3.75mA

Construction

Chassis 304 stainless steel / 316 stainless steel for Optional
 Mounting Wall mount
 Protection Class Full IP56 protection

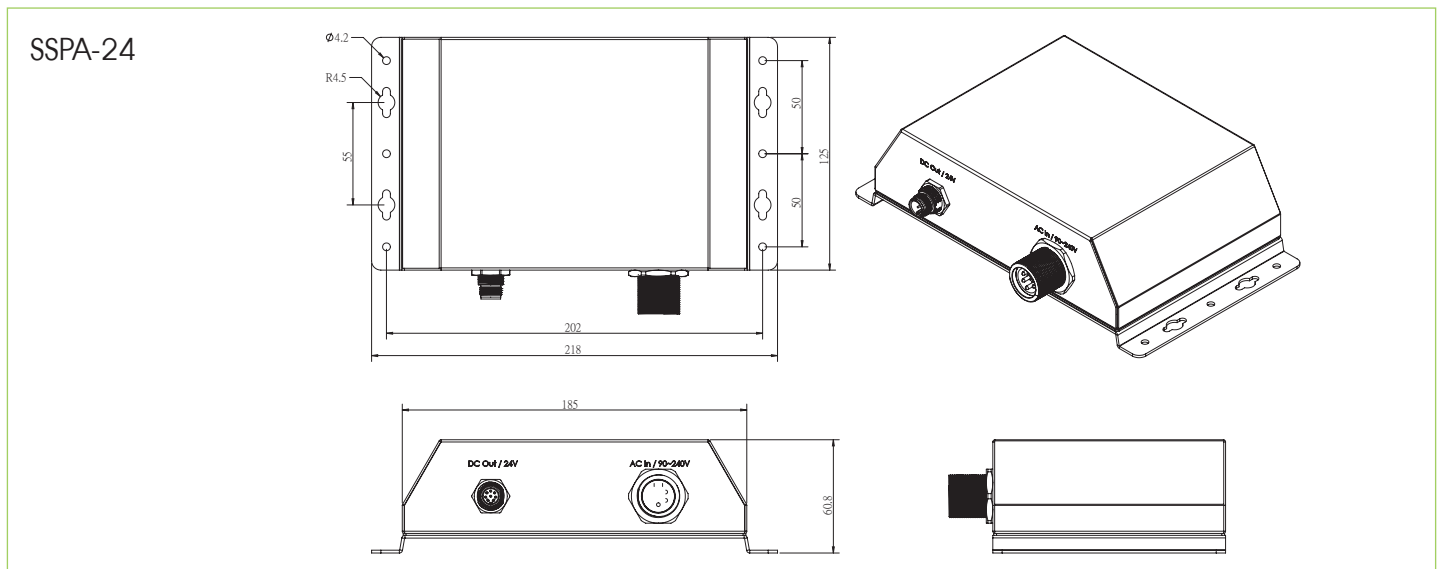
Environmental

Temperature	Operating: 0°C~ 50°C (Max. 80W at 50°C) Storage: -40°C~85°C
Humidity	10%~90% (non-condensing)
Regulation	RoHS
Certification	CE/FCC Class-A

Accessories

- Wall mount kits
- 1x power cable M23/3P L=5m
- 1x power cable M12 4P L=2m
- Power connector for U.S. regulation (Optional)
- Power connector for EU regulation (Optional)
- Power connector for Australian regulatory (Optional)

Dimensions



UMT-7211

Medical Panel PC

21.5" Medical Panel PC
with 6th Gen Intel® Core™ i5-6300U Processor

Medical Series 21.5"

I/O View



Features

- Projected capacitive touch screen



- Capacitive control keypad for power / brightness / volume



- PCI-E (x4) expansion card support



- IP65 front-panel waterproof protection



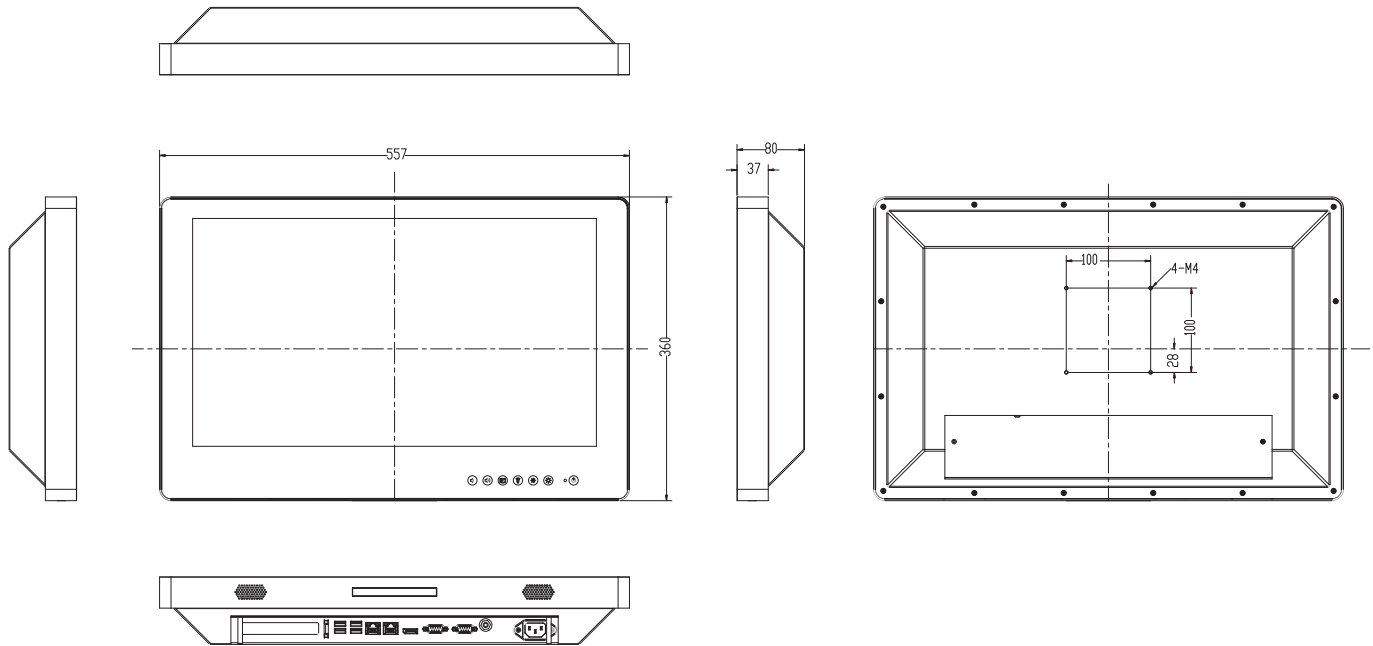
Specifications

Model No.		UMT-7211
Display & Touch Screen	Display Size	21.5" TFT LCD
	Max. Resolution	1920 x 1080
	Luminance (cd/m ²)	300
	Contrast	1000:1
	Max. Color	16.7M
	View Angle (H/V)	178° /178°
	Backlight Lifetime(hrs)	30000
	Touch Type	Projected capacitive
	Touch Interface	USB
	Light Transmission (%)	87
	Point of touch	Up to 10
I/O Interface	USB 3.0	2
	USB 2.0	2
	RS-232/422/485 Selectable in BIOS	1 (4KV isolated)
	RS-232	1 (4KV isolated)
	LAN	2x GbE (4KV isolated)
	Additional Graphics	DP
	Audio	None
	Digital I/O	None
	Power Connector	IEC60320 C14
Power Button	Capacitive-type power button with LED indicator in front bezel	
Mechanical	Dimensions (mm)	557 x 360 x 80
	Net Weight (kgs)	6.7
System	Processor	Intel® Core™ i5-6300U 2.4GHz
	Memory	2x DDR4-2133 SO-DIMM, default 4GB (1x 4GB)
	Thermal Design	Fanless
	Membrane Control	Capacitive keys for Power on-off/Brightness up/down/Volume up/down/Touch on-off/Reading light on-off
	Built-in Speaker/MIC	IP54 speaker
Expansion	Internal Expansion Bus	1x M.2 Type 2230 socket 1x Mini PCI-E full-size socket
	Expansion Slot	1x PCI-E (x4)
	Wireless	Optional
Storage Space	HDD	1x 2.5" SATA, default 64G SSD 1x M.2 SSD
	Removable	None
Power	Power Input Range	90V AC-240V AC Optional internal backup battery for 15-min operation
Construction	Chassis Material	Aluminum + Sheet metal with white powder coating
	Color (Front/Back)	Medical White
	IP Rating	IP65 rated front bezel / IP54 (except I/O side)
	Mounting	VESA 100mm x 100mm
Environmental	Operating Temperature	0°C ~40°C
	Storage Temperature	-20°C ~ 60°C
	Storage Humidity	10%~ 95% (non-condensing)
	Certification	CE/FCC Class-B and LVD EN 60601-1: 2006 + A1: 2013(IEC 60601-1: 2012 reprint) EN 60601-1-2:2015 (IEC 60601-1-2:2014)
	Supported Operating Systems	Windows 8.1/10 64-bit

UMT-7211

Dimensions

UMT-7211



Ordering Information

UMT-7211	21.5" (1920 x 1080) Panel PC with MBM-7001, Intel® Core™ i5-6300U (Quad-Core @2.4GHz), 4GB DDR4 SO-DIMM, 64G SSD, projected capacitive touch, 90V~240V AC power input
Optional battery	3S1P backup battery for 15-minute operation
Optional LED light	IDM101 LED reading light
Optional Wi-Fi set	Optional Intel® M.2 7265 Wi-Fi module with external antenna

BYARM-181-PC

ARM-based Panel PC
ARM-Based All-in-One Panel PC
with NXP i.MX6 Cortex Processor

BYARM Series **18.5"**



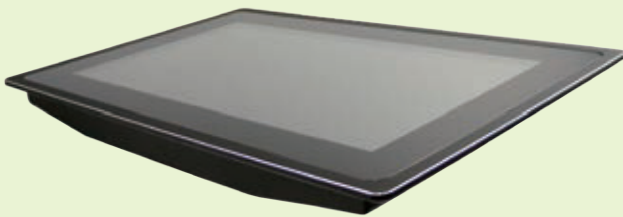
I/O View



BYARM-181-PC

Features

- NXP i.MX6 high performance processor
- Projected capacitive touch screen, flat bezel design



- 12V DC and PoE supports
- Programmable LED light bar (rear)
- External SD card slot for storage expansion
- Supports Android 4.3x



BYARM-181-PC

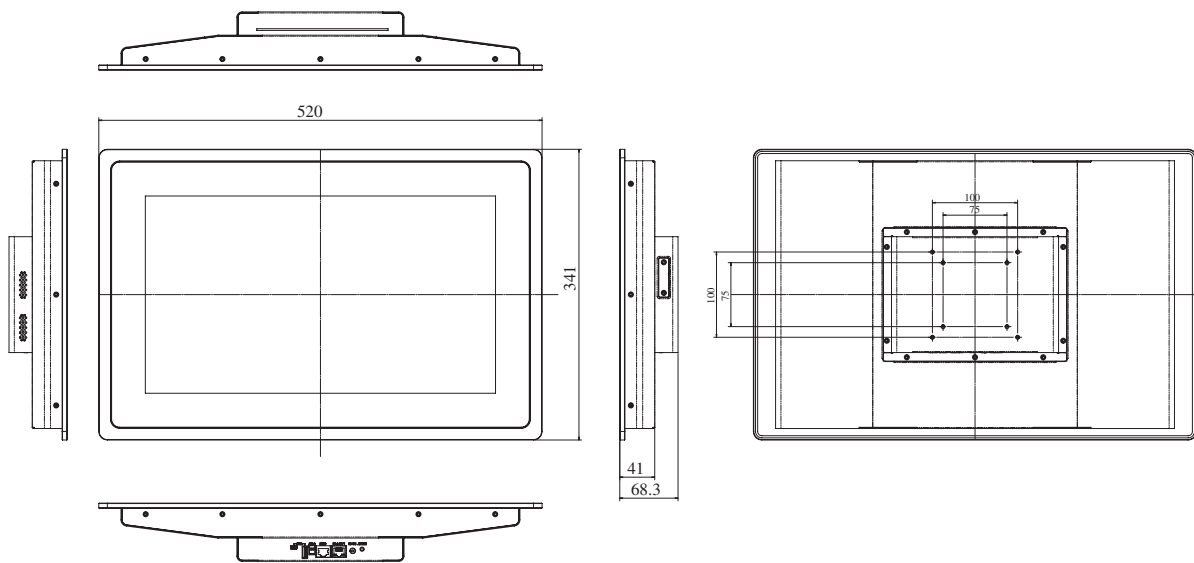
Specifications

Model No.	BYARM-181-PC	
Display & Touch Screen	Display Size	18.5" TFT-LCD
	Max. Resolution	1366 x 768
	Luminance (cd/m2)	300
	Contrast	1000:1
	Max. Color	16.7M
	View Angle (H°/V°)	170/160
	Backlight Lifetime(hrs)	50000
	Touch Type	Projected capacitive
	Touch Interface	USB
	Light Transmission (%)	85
	Point of touch	2
I/O Interface	USB 3.0	0
	USB 2.0	1x USB (USB Host, A-Type) (Flag type) 1x USB OTG (mini AB type)
	RS-232/422/485 Selectable in BIOS	1
	RS-232	0
	LAN	1x GbE
	Additional Graphics	None
	Audio	None
	Digital I/O	None
	Power Connector	Power jack
	Power Button	Reset button
Mechanical	Dimensions (mm)	520 x 341 x 68.3
	Net Weight (kgs)	6.1
System	Processor	NXP i.MX6 Cortex A9 Solo 1 Core @ 1GHz
	Memory	1GB DDR3 on board
	Thermal Design	Fanless
	Membrane Control	None
	Built-in Speaker/MIC	2x speaker
Expansion	Internal Expansion Bus	1x Mini PCI-E slot (full/half size)
	Expansion Slot	None
	Wireless	Optional Wi-Fi/BT
Storage Space	HDD	4GB eMMC on board
	Removable	1x SD slot
Power	Power Input Range	12V DC / PoE+
Construction	Chassis Material	Black aluminum front bezel and black steel back cover
	Color (Front/Back)	Black / Black
	IP Rating	IP65 front bezel
	Mounting	VESA 75x75, 100x100 mm
Environmental	Operating Temperature	0°C~50°C
	Storage Temperature	-20°C~60°C
	Storage Humidity	10%~90% (non-condensing)
	Certification	CE/FCC Class-B
	Supported Operating Systems	Android 4.3

BYARM-181-PC

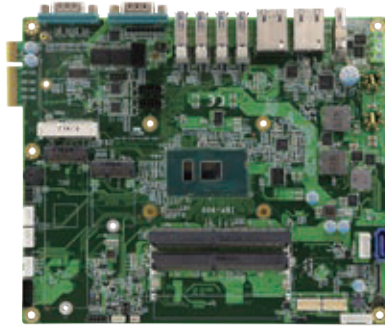
Dimensions

BYARM-181-PC



Ordering Information

BYARM-181-PC	18.5" (1366 x 768) Panel PC with projected capacitive touch, with IB102 i.MX6 Cortex A9 CPU, 1GB DDR3 on board, Android supports, w/ 60W power adaptor
--------------	--



Features

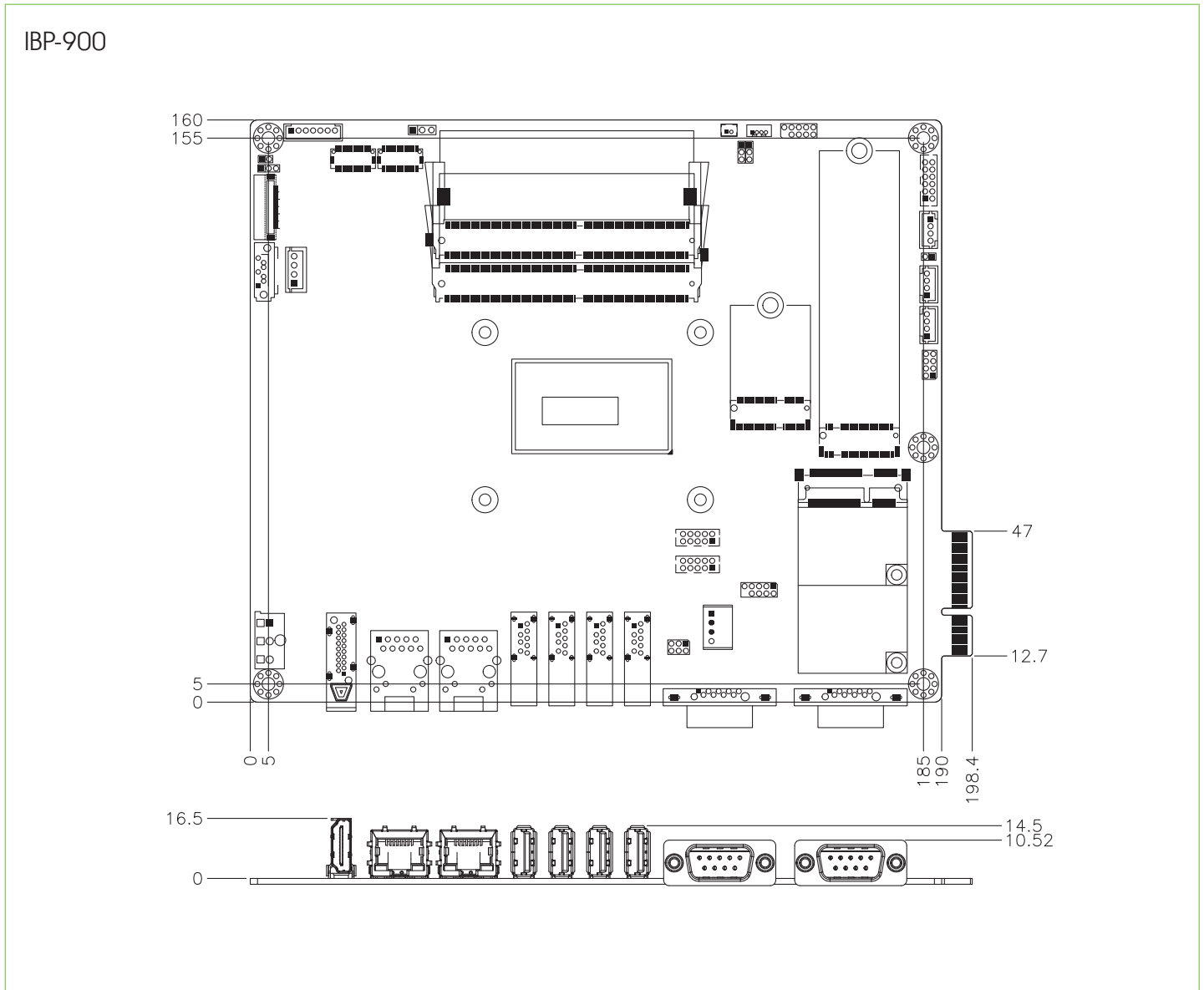
- 7th/6th Gen Intel® Core™ U platform
- Low profile and less cable design
- Onboard 1x miniPCI-E/M.2 22x30 socket and one PCI-E(x4) expansion
- Direct panel backlight driving up to 12V DC with 3A(36W) power
- Dual 24-bit LVDS or eDP panel interface
- Isolated RS232/422/485



Specifications

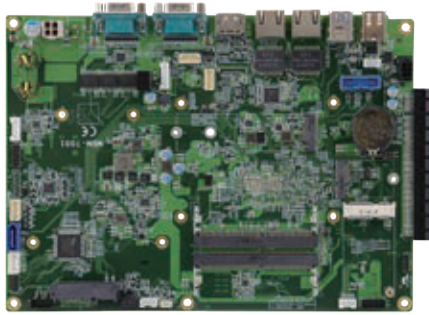
Model No.	IBP-900
CPU	7th/6th Gen Intel® Core™ U series i7/i5/i3
PCH	Integrated in 7th/6th Gen Intel® Core™ U series processor
Memory Types	2x DDR4 SO-DIMM socket, Max. 16GB
BIOS	AMI
Watchdog Timer	256 level
H/W Monitor	Yes
Storage Device Interface	1x M.2 2280 (SATAIII interface) 1x 7P SATAIII connector
Mini Type Slots	1x miniPCI-E (full-sized) 1x M.2 2230
Graphics Controller	Intel® SOC integrated 7th/6th Gen Core™ U graphics
Video Output	24-bit dual-channel LVDS/eDP 2 Lanes HDMI
Ethernet	1x Intel® I219LM GbE 1x Intel® I211AT GbE
I/O Chip	Fintek F81846AD
Serial Port	COM1:RS232/422/485 jumperless selection, isolated Ring-in power @500 mA selectable for 5V or 12V, non isolated COM2: RS232/422/485 jumper less selection, non isolated COM3/COM4: RS-232, box header
USB 2.0	2x USB2.0 box header
USB 3.0/ USB 3.1	4x USB3.0 flag type A
Serial ATA	2x SATAIII
Audio	Realtek ALC283-CGT Line in/Line out/Mic-in/speaker-out (pin header)
TPM	Infineon SLB9665
Features	9V~30V DC-in with reverse protection, PCI-Ex4 expansion
Dimensions (L x W)	198.4mm x 160mm
Power Consumption	Intel® i7-7600U with 2x 4GB DDR4 -2133 @ 12V/3.5A
Operating Temperature	0°C~70°C
Storage Temperature	-20°C~80°C
Relative Humidity	0~90% (Non-condensing @ 60°C)

Dimensions



Ordering Information

IBP-900K-7300	7th Gen Intel® Core™ i5 7300U up to 3.5GHz motherboard, with two DDR4 SO-DIMM, 2x Intel® GbE LAN, dual LVDS/eDP, 9V~30VDC power input
IBP-900S-6300	6th Gen Intel® Core™ i5 6300U up to 3.0GHz motherboard, with two DDR4 SO-DIMM, 2x Intel® GbE LAN, dual LVDS/eDP, 9V~30VDC power input
IBP-900K-7600	7th Gen Intel® Core™ i7 7600U up to 3.9GHz motherboard, with two DDR4 SO-DIMM, 2x Intel® GbE LAN, dual LVDS/eDP, 9V~30VDC power input
IBP-900S-6600	6th Gen Intel® Core™ i7 6600U up to 3.4GHz motherboard, with two DDR4 SO-DIMM, 2x Intel® GbE LAN, dual LVDS/eDP, 9V~30V DC power input
IPP101	4x PCI-E expansion slot card for IBP-900 series



Features

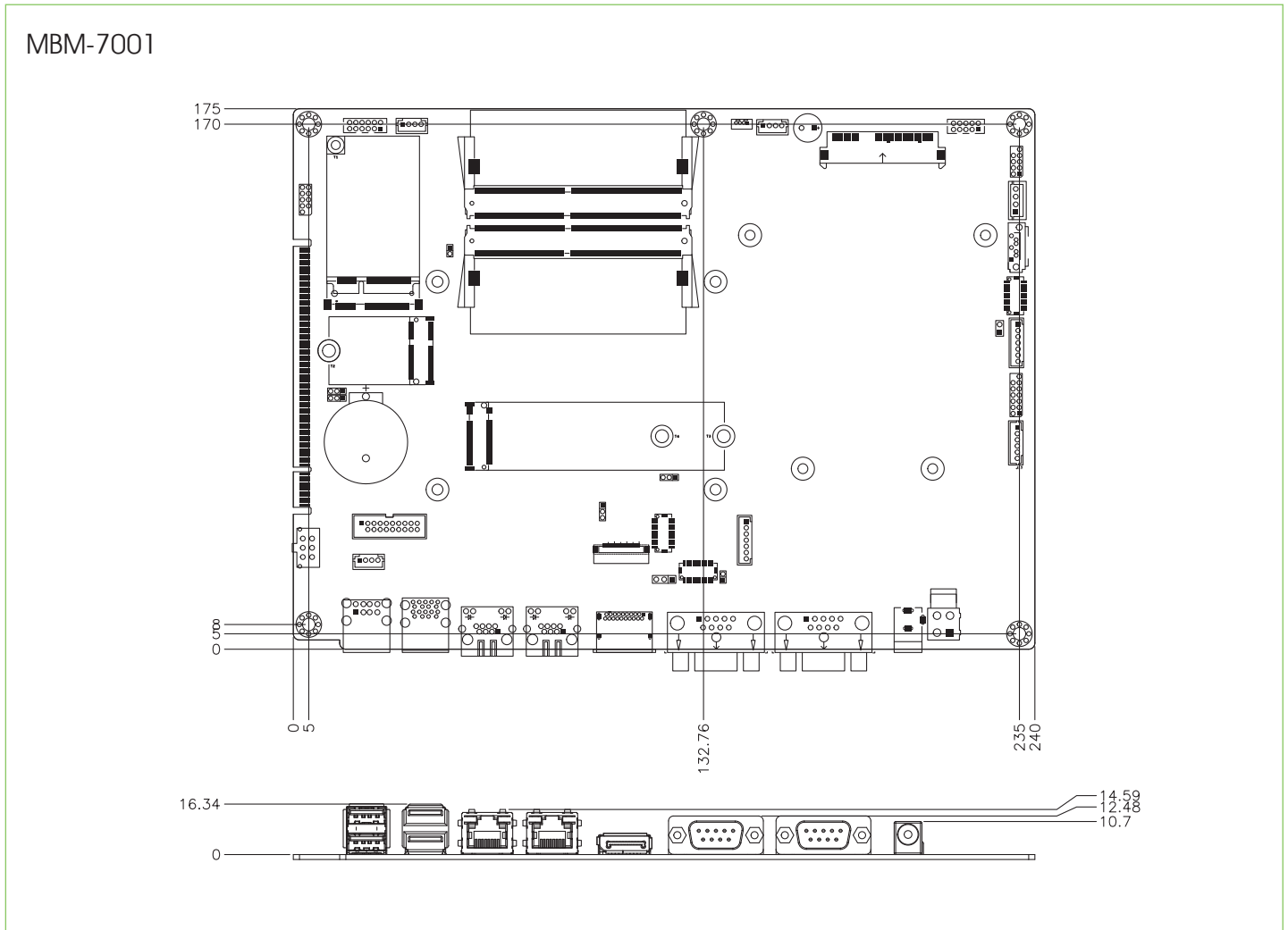
- 7th/6th Gen Intel® Core™ U platform
- Low profile and less cable design
- Dual 24-bit LVDS or eDP panel interface
- Smart battery supports
- Dual 24-bit LVDS or eDP panel interface
- 4KV isolated RS232/422/485



Specifications

Model No.	MBM-7001
CPU	7th/6th Gen Intel® Core™ U series i7/i5/i3
PCH	Integrated in 7th/6th Gen Intel® Core™ U series processor
Memory Types	2x DDR4 SO-DIMM socket, Max. 16GB
BIOS	AMI
Watchdog Timer	256 level
H/W Monitor	Yes
Storage Device Interface	1x M.2 2260/80 (SATAIII interface) 1x 7P SATAIII connector 1x 22P SATAIII connector
Mini Type Slots	1x miniPCI-E (full-sized) 1x M.2 2230
Graphics Controller	Intel® SOC integrated 7th/6th Gen Core™ U graphics
Video Output	24-bit dual-channel LVDS/eDP 2 Lanes DP port
Ethernet	1x Intel® I219LM GbE 4KV isolation 1x Intel® I211AT GbE 4KV isolation
I/O Chip	Fintek F81846AD
Serial Port	COM1: RS232/422/485 jumper less selection, 4KV isolation COM2: RS232, 4KV isolation COM3: RS-232, box header
USB 2.0	One stack connector for 2x USB 2.0 at edge One onboard 4-pin connector with GPO power control
USB 3.0/ USB 3.1	One stack connector for 2x USB 3.0 at edge One 10-pin box header for 2x USB 3.0
Serial ATA	3x SATAIII
Audio	Realtek ALC283-CGT Line in/Line out/Mic-in/speaker-out (pin header)
TPM	Infineon SLB9665
Features	19VDC-in with short protection, PCI-E x4 expansion, smart battery supports
Dimensions (L x W)	240mmx 175mm
Power Consumption	Intel® i7-6600U with 2x 4GB DDR4 -2133 @ 12V/3.5A
Operating Temperature	0°C~60°C
Storage Temperature	-20°C~80°C
Relative Humidity	0~90% (Non-condensing @ 60°C)

Dimensions



Ordering Information

MBM-7001-6600	6th Gen Intel® Core™ i7 6600U up to 3.4GHz motherboard, with two DDR4 SO-DIMM, 2x Intel® GbE LAN, dual LVDS/eDP, ATX /power jack 19VDC power input
MBM-7001-S-6600	6th Gen Intel® Core™ i7 6600U up to 3.4GHz motherboard, with two DDR4 SO-DIMM, 2x Intel® GbE LAN, dual LVDS/eDP, ATX only 19V DC power input
MBM-7001	6th Gen Intel® Core™ i5 6300U up to 3GHz motherboard, with two DDR4 SO-DIMM, 2x Intel® GbE LAN, dual LVDS/eDP, ATX /power jack 19V DC power input
MBM-7001-S	6th Gen Intel® Core™ i5 6300U up to 3GHz motherboard, with two DDR4 SO-DIMM, 2x Intel® GbE LAN, dual LVDS/eDP, ATX only 19V DC power input
IDM-101	LED reading light board, (must works with IDM-102)
IDM-102	Capacitive control keys board, brightness, volume, power on/off, touch on/off, reading light control Must work with MBM-7001
IB03	A034BATSM4S1P0000P 4S1P 2500mAH battery, (for MBM-7001)

HEADQUARTERS

IBASE Technology Inc.
11F, No. 3-1, Yuan Qu St., Nankang,
Taipei 115, Taiwan, R.O.C.

廣積科技股份有限公司

台北市115南港區園區街3-1號11樓G棟
Tel: +886-2-2655-7588
Fax: +886-2-2655-7388
sales@ibase.com.tw
www.ibase.com.tw

WORLDWIDE OFFICES

European Headquarters

IBASE Europe (TMC Technology)
12 Wedgwood Court Stevenage,
Herts, SG1 4QR, United Kingdom
Tel: +44-1438-846090
Fax: +44-1438-842308
sales@ibase-europe.com
www.ibase-europe.com

Italy

IBASE Italy S.r.l.
Via Sant Antonio 1/A
28845 Domodossola, Verbania, Italy
Tel: +39-0324-47501
Fax: +39-0324-47501
info.italy@ibase-europe.com
www.ibase-europe.com

USA

IBASE Technology (USA), Inc.
1050 Stewart Drive, Sunnyvale,
CA 94085, U.S.A.
Tel: +1-408-992-0888
Fax: +1-408-992-0808
sales@ibase-usa.com
www.ibase-usa.com

Singapore

IBASE Singapore Pte Ltd.
10, Ubi Crescent #07-60,
Ubi Techpark (Lobby D),
Singapore 408564
Tel: +65-6842-5112
Fax: +65-6842-5113
sales@ibase-singapore.com
www.ibase-singapore.com

China

IBASE (Shanghai) Technology Inc.
2F, Building 3, No. 2005, HongMei
Road, 201103 Shanghai, China
上海广佳信息技术有限公司
中国上海市虹梅路2005号3号楼2层
邮编: 201103
Tel: +86-021-6090-5088
Fax: +86-021-6090-6388
sales@ibase.com.tw
www.ibase.com.tw

China

IBASE (Shanghai) Technology Inc.
Beijing Office
Room 1622, GuoFengMeiTang
Building 5, No. 106, KeXing West Road,
Changping District, 100029 Beijing, China
上海广佳信息技术有限公司-北京办事处
中国北京市昌平区回龙观科星西路106号
国风美唐5号商务楼1622室
邮编: 100029
Tel: +86-133-113-80499
sales@ibase.com.tw
www.ibase.com.tw

Japan

IBASE Japan Corp.
3F Bansei Muromachi Bldg., 4-3-12
Nihonbashi Muromachi, Chu-O ku,
Tokyo, Japan
IBASE ジャパン株式会社
東京都中央区日本橋室町4-3-12
バンセイ室町ビル3F
Tel: +81-3-6262-1303
Fax: +81-3-6262-6106
sales@ibase-japan.com
www.ibase-japan.com

India

IBASE India
sales@ibase-india.com
www.ibase-india.com



DOWNLOAD
INDUSTRIAL
PANEL PC CATALOG