

EPC-APL

Intel® Pentium®/Celeron® Processor Fanless Tiny System

Quick Reference Guide

1st Ed – 12 September 2017

Copyright Notice

Copyright © 2017 ALL RIGHTS RESERVED.

FCC Statement



THIS DEVICE COMPLIES WITH PART 15 FCC RULES. OPERATION IS SUBJECT TO THE FOLLOWING TWO CONDITIONS:

(1) THIS DEVICE MAY NOT CAUSE HARMFUL INTERFERENCE.

(2) THIS DEVICE MUST ACCEPT ANY INTERFERENCE RECEIVED INCLUDING INTERFERENCE THAT MAY CAUSE UNDESIRE OPERATION.

THIS EQUIPMENT HAS BEEN TESTED AND FOUND TO COMPLY WITH THE LIMITS FOR A CLASS "A" DIGITAL DEVICE, PURSUANT TO PART 15 OF THE FCC RULES.

THESE LIMITS ARE DESIGNED TO PROVIDE REASONABLE PROTECTION AGAINST HARMFUL INTERFERENCE WHEN THE EQUIPMENT IS OPERATED IN A COMMERCIAL ENVIRONMENT. THIS EQUIPMENT GENERATES, USES, AND CAN RADIATE RADIO FREQUENCY ENERGY AND, IF NOT INSTALLED AND USED IN ACCORDANCE WITH THE INSTRUCTION MANUAL, MAY CAUSE HARMFUL INTERFERENCE TO RADIO COMMUNICATIONS.

OPERATION OF THIS EQUIPMENT IN A RESIDENTIAL AREA IS LIKELY TO CAUSE HARMFUL INTERFERENCE IN WHICH CASE THE USER WILL BE REQUIRED TO CORRECT THE INTERFERENCE AT HIS OWN EXPENSE.

A Message to the Customer

Customer Services

Each and every product is built to the most exacting specifications to ensure reliable performance in the harsh and demanding conditions typical of industrial environments. Whether your new device is destined for the laboratory or the factory floor, you can be assured that your product will provide the reliability and ease of operation.

Your satisfaction is our primary concern. Here is a guide to our customer services. To ensure you get the full benefit of our services, please follow the instructions below carefully.

Technical Support

We want you to get the maximum performance from your products. So if you run into technical difficulties, we are here to help. For the most frequently asked questions, you can easily find answers in your product documentation. These answers are normally a lot more detailed than the ones we can give over the phone. So please consult the user's manual first.

Content

1. Getting Started	4
1.1 Safety Precautions	4
1.2 Packing List	4
1.3 System Specifications	5
1.4 System Overview.....	7
1.4.1 Front View.....	7
1.4.2 Rear View	7
1.5 System Dimensions.....	9
1.5.1 Front & Top View	9
2. Hardware Configuration	10
2.1 EPC-APL connector mapping.....	11
2.1.1 Serial Port connector (COM)	11
2.1.2 VGA connector (VGA)	11
2.2 Installing Hard Disk & Memory (EPC-APL).....	12
2.3 Installing MPCIE devices (EPC-APL)	13
2.4 Installing Din Rail Mounting (EPC-APL)	15
2.5 Installing Stand (EPC-APL)	16
2.6 Installing Mounting Brackets (EPC-APL)	14

1. Getting Started

1.1 Safety Precautions

Warning!



Always completely disconnect the power cord from your chassis whenever you work with the hardware. Do not make connections while the power is on. Sensitive electronic components can be damaged by sudden power surges. Only experienced electronics personnel should open the PC chassis.

Caution!



Always ground yourself to remove any static charge before touching the CPU card. Modern electronic devices are very sensitive to static electric charges. As a safety precaution, use a grounding wrist strap at all times. Place all electronic components in a static-dissipative surface or static-shielded bag when they are not in the chassis.

1.2 Packing List

- 1 x EPC-APL Intel® Pentium®/Celeron® Processor Fanless Tiny System
- 1 x Driver/Utility DVD-ROM
- Other major components include the followings:
 - EPC-APL Stand
 - Screw Kit
 - Adapter
 - Power Cord



If any of the above items is damaged or missing, contact your retailer.

1.3 System Specifications

System	
SBC	<ul style="list-style-type: none"> ECM-APL2
CPU	<ul style="list-style-type: none"> Intel® Pentium® Processor N4200 (2M Cache, up to 2.5 GHz) Intel® Celeron® Processor N3350 (2M Cache, up to 2.4 GHz)
BIOS	<ul style="list-style-type: none"> AMI BIOS, 128Mbit SPI Flash ROM
System Chipset	<ul style="list-style-type: none"> Apollo SoC integrated
System Memory	<ul style="list-style-type: none"> 1 x 204-pin SODIMM Socket Up to 8GB DDR3L 1866MHz SDRAM
Watchdog Timer	<ul style="list-style-type: none"> H/W Reset, 1sec. ~ 65535sec and 1sec. or 1min./step
H/W Status Monitor	<ul style="list-style-type: none"> Monitoring CPU Temperature, Voltage with Auto Throttling Control
Expansion	
Expansion	<ul style="list-style-type: none"> 1 x Full Size Mini PCIe (mSATA) 1 x Half Size Mini PCIe
Storage	
Combination	<ul style="list-style-type: none"> 1 x 2.5" Drive Bay 1 x mSATA
Front I/O	
Button	<ul style="list-style-type: none"> 1 x Power On/Off Button w/LED
LED	<ul style="list-style-type: none"> 1 x LED for Storage Access
Rear I/O	
Serial Port	<ul style="list-style-type: none"> 1 x RS-232/422/485(Jumper)
USB Port	<ul style="list-style-type: none"> 4 x USB 3.0
LAN Port	<ul style="list-style-type: none"> 2 x RJ45
Display Port	<ul style="list-style-type: none"> 1 x VGA, 2 x HDMI
DC Input	<ul style="list-style-type: none"> 1 x DC Jack (Lockable DC Jack)
LED	<ul style="list-style-type: none"> 2 x LED for Power On/Off & Storage Access
Others	<ul style="list-style-type: none"> 2 x Antenna Mounting with Dust Cover
Internal I/O	
SATA	<ul style="list-style-type: none"> The same to ECM-APL2
Display	
Chipset	<ul style="list-style-type: none"> Processor Graphics Intel® HD Graphics 500 for N3350 Intel® HD Graphics 505 for N4200
Resolution	<ul style="list-style-type: none"> 1 x VGA Mode: 1920 x 1200 @ 60Hz 2 x HDMI Mode: 3840x2160@30Hz (HDMI 1.4b)
Ethernet	

EPC-APL

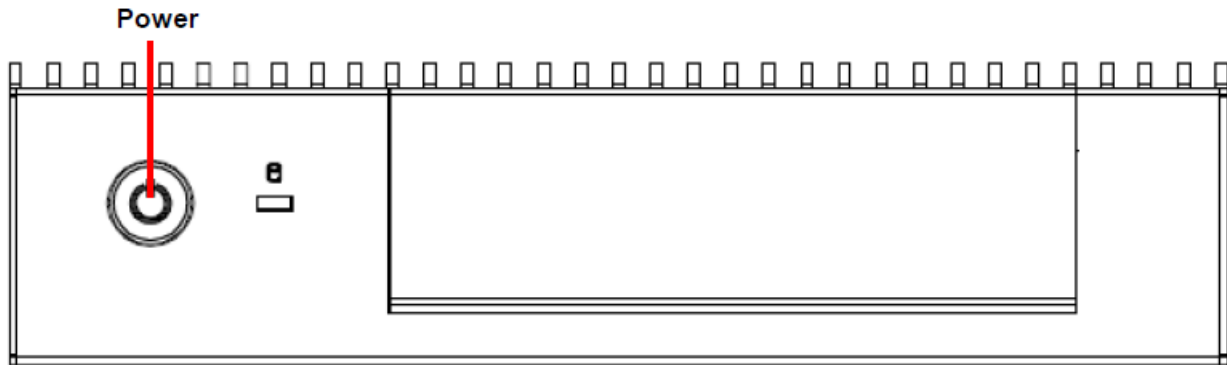
Chipset	<ul style="list-style-type: none"> 2 x Intel® I211AT
Ethernet Interface	<ul style="list-style-type: none"> 10/100/1000 Base-Tx Gigabit Ethernet Compatible
Lan Port	<ul style="list-style-type: none"> 2 x RJ45 w/LED
Audio	
Chipset	<ul style="list-style-type: none"> Realtek ALC892
Audio Interface	<ul style="list-style-type: none"> Mic-In, Line-In and Line-Out (Factory Option with onboard Pin header)
Mechanical & Environmental	
Power Connector	<ul style="list-style-type: none"> Lockable DC Jack
Power Requirement	<ul style="list-style-type: none"> Power Input: Typical 12/24 Vdc (+12 ~ 26V)
Power Type	<ul style="list-style-type: none"> AT/ATX (ATX is the default)
ACPI	<ul style="list-style-type: none"> Single power ATX Support S0, S3, S4, S5 ACPI 5.0 Compliant
Dimension	<ul style="list-style-type: none"> 177 x 123 x 43.5 mm
Weight	<ul style="list-style-type: none"> 2.65lbs(1.2KG)
Color	<ul style="list-style-type: none"> Black & Blue
Mounting Kit	<ul style="list-style-type: none"> Stand (Default) VESA Mount kit (Factory Option) Din Rail kit (Factory Option)
Reliability	
Vibration Test	<ul style="list-style-type: none"> With SSD: 1.5Grms, IEC 60068-2-64, Random, 5 ~ 500Hz, 30min/axis
Mechanical Shock Test	<ul style="list-style-type: none"> With SDD : 50G, IEC 60068-2-27, Half Sine, 11ms, 3 Axis, 6 Faces
Mechanical Bump Test	<ul style="list-style-type: none"> With SDD : 10G, IEC 60068-2-29, Half Sine, 11ms, Z axis
Drop Test	<ul style="list-style-type: none"> ISTA 2A, IEC-60068-2-32 Test : Ed
Operating Temperature	<ul style="list-style-type: none"> With extended temperature peripherals: -10°C ~ 50°C (14°F ~ 122°F) with 1m/air flow
Operating Humidity	<ul style="list-style-type: none"> 0% ~ 90% relative humidity, non-condensing
Storage Temperature	<ul style="list-style-type: none"> -40 ~ 75°C (-40 ~ 167°F)
Certification	<ul style="list-style-type: none"> CE, FCC Class B
OS Supported	<ul style="list-style-type: none"> Win 10, Linux



Note: Specifications are subject to change without notice.

1.4 System Overview

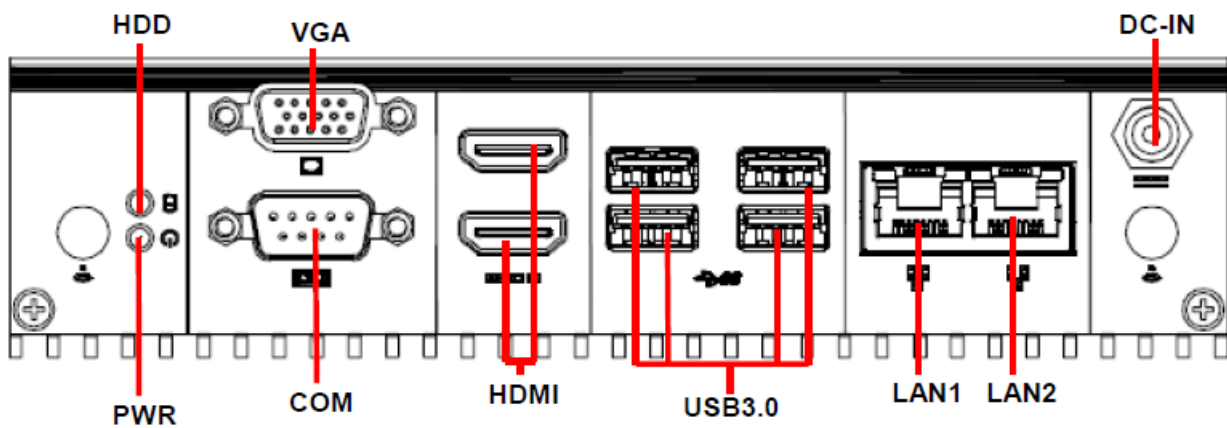
1.4.1 Front View



Connectors

Label	Function	Note
Power	Power on button	

1.4.2 Rear View



Connectors

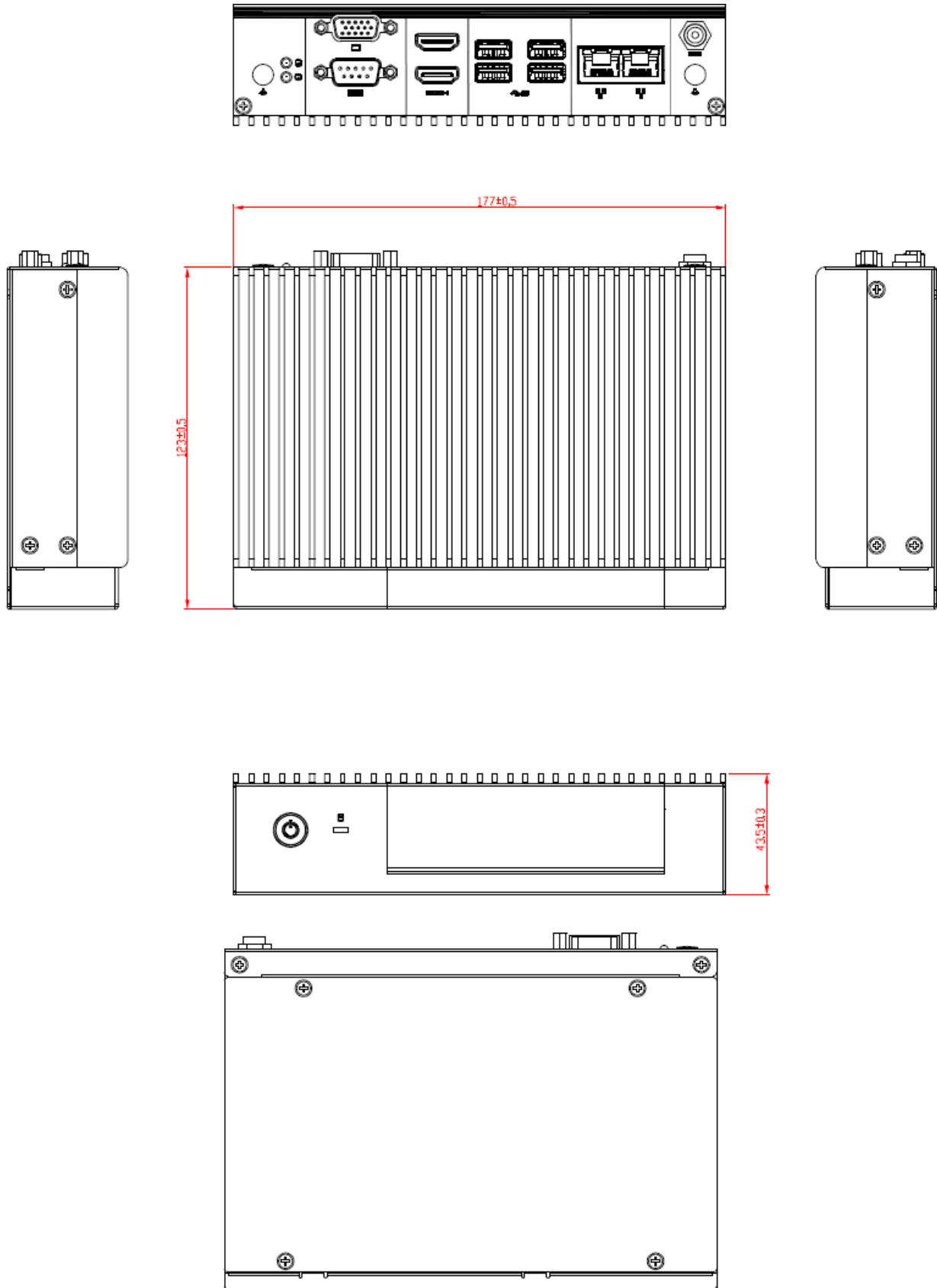
Label	Function	Note
COM	Serial port connector	D-sub 9-pin, male Note : Support RS422/485 by BIOS setting (Factory option)
HDD	HDD indicator	
PWR	System power indicator	

EPC-APL

LAN	RJ-45 Ethernet x 2
USB3.0	USB 3.0 connector x 4
HDMI	HDMI connector x 2
DC-IN	DC Power-in connector
VGA	VGA connector

1.5 System Dimensions

1.5.1 Front & Top View



(Unit: mm)

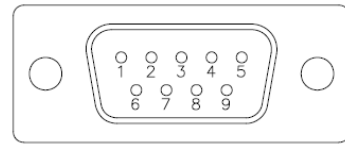
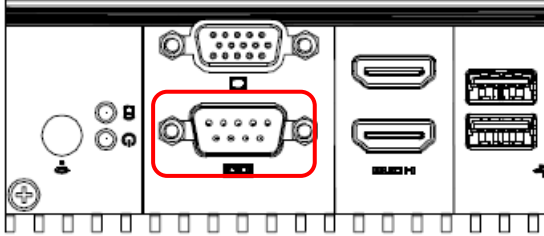
2. Hardware Configuration

For advanced information, please refer to:

- 1- ECM-APL2 User's Manual

2.1 EPC-APL connector mapping

2.1.1 Serial Port connector (COM)



RS-485

Signal	PIN	PIN	Signal
485_Tx-	1	6	NC
485_Tx+	2	7	NC
NC	3	8	NC
NC	4	9	NC
GND	5		

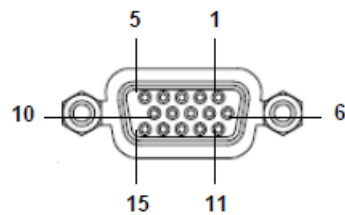
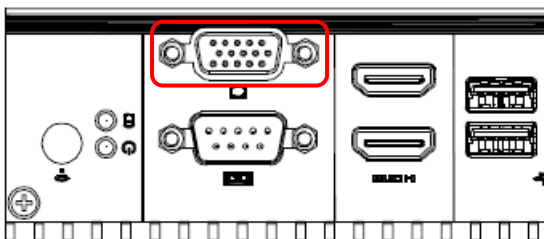
RS-232

Signal	PIN	PIN	Signal
DCD#	1	6	DSR#
RXD	2	7	RTS#
TXD	3	8	CTS#
DTR#	4	9	RI#
GND	5		

RS-422

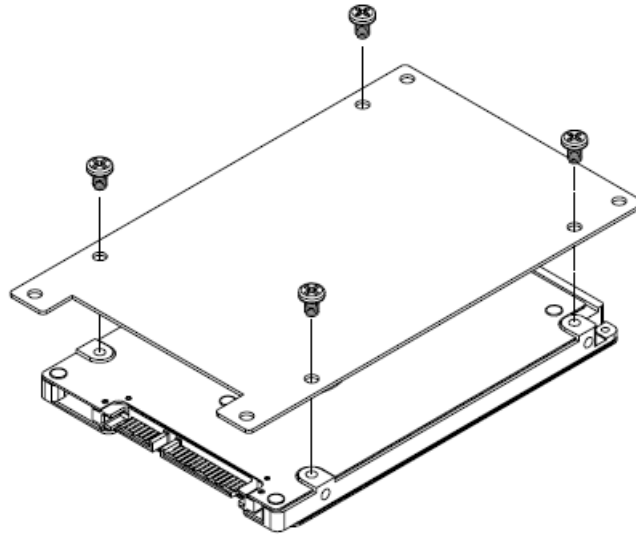
Signal	PIN	PIN	Signal
422_Tx-	1	6	NC
422_Tx+	2	7	NC
422_Rx+	3	8	NC
422_Rx-	4	9	NC
GND	5		

2.1.2 VGA connector (VGA)

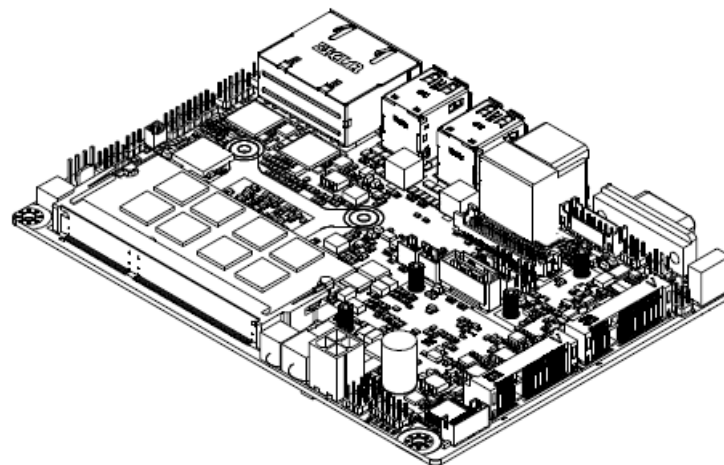
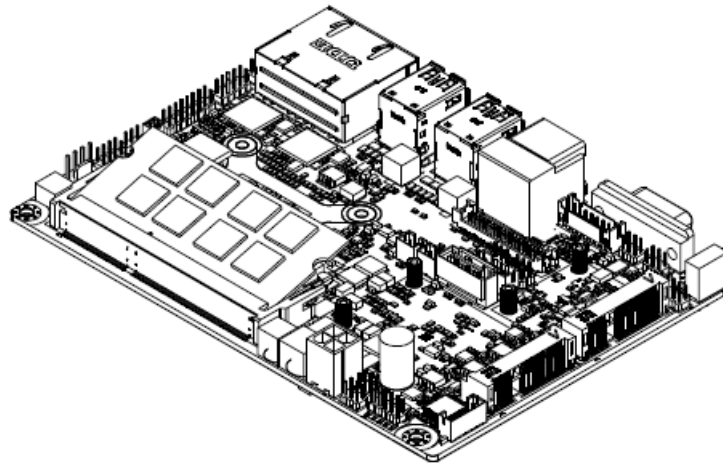


PIN	Signal	PIN	Signal	PIN	Signal
1	RED	6	GND	11	NC
2	GREEN	7	GND	12	DDCDAT
3	BLUE	8	GND	13	HSYNC
4	NC	9	+5V	14	VSYSNS
5	GND	10	GND	15	DDCCLK

2.2 Installing Hard Disk & Memory (EPC-APL)

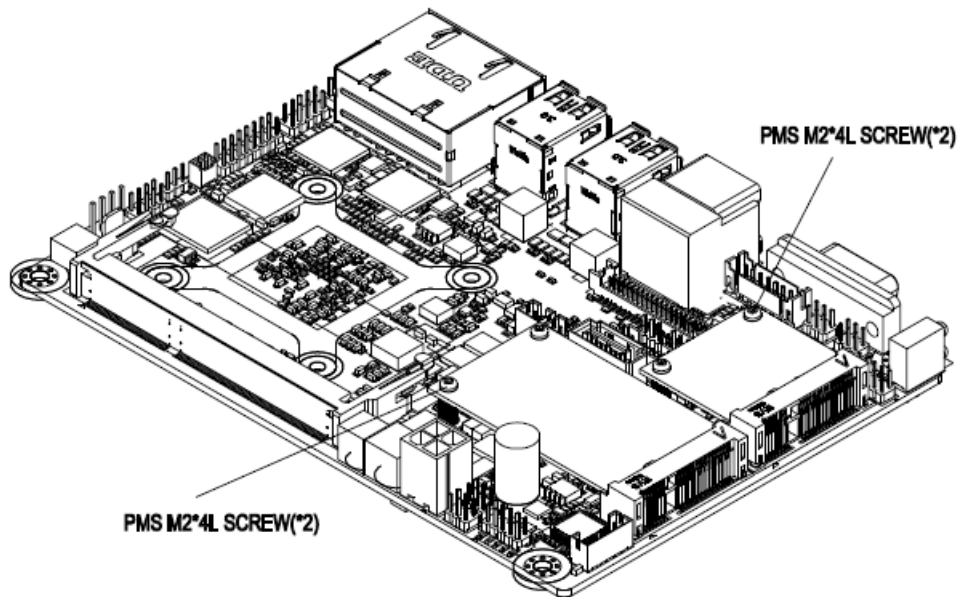


Step1. Fix HDD using the 4 screws in the Accessory Kit.



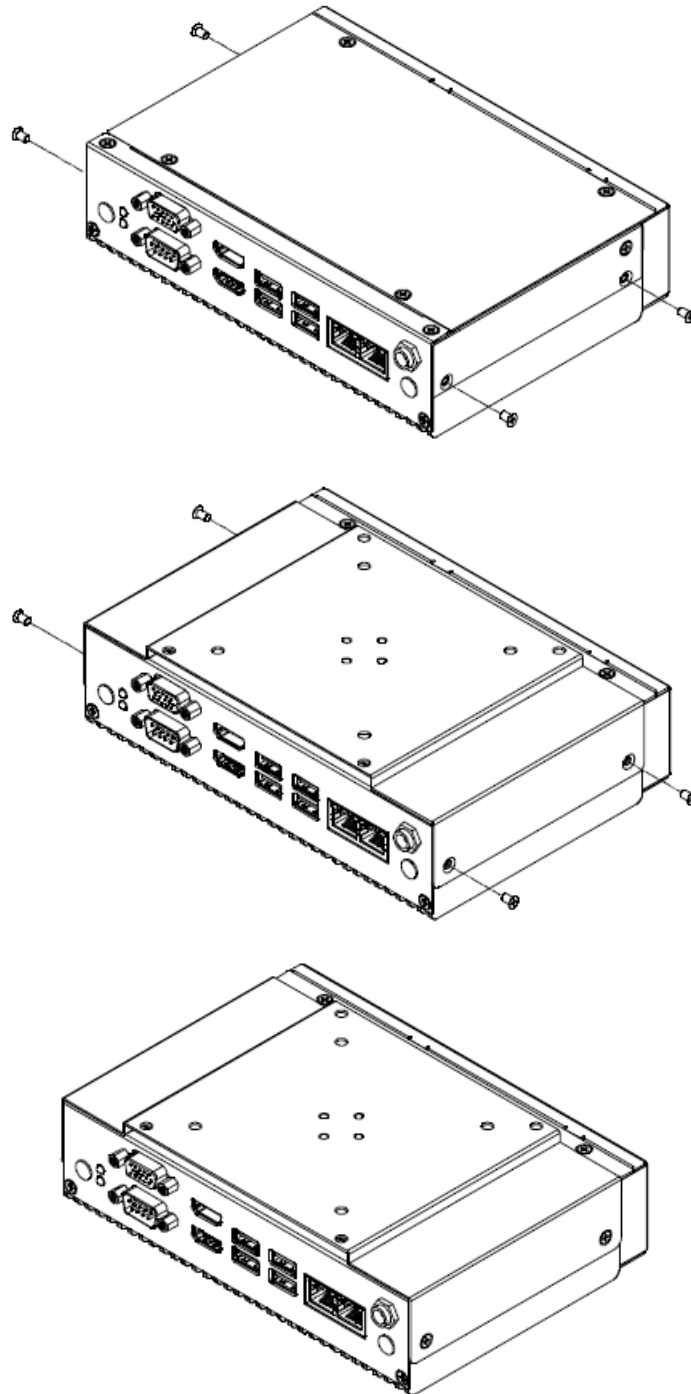
Step2. Properly install the memory module and press until properly seated.

2.3 Installing MPCIE devices (EPC-APL)



Step1. Insert MPCIE cards into designated locations and fasten with the screw to complete MPCIE installation.

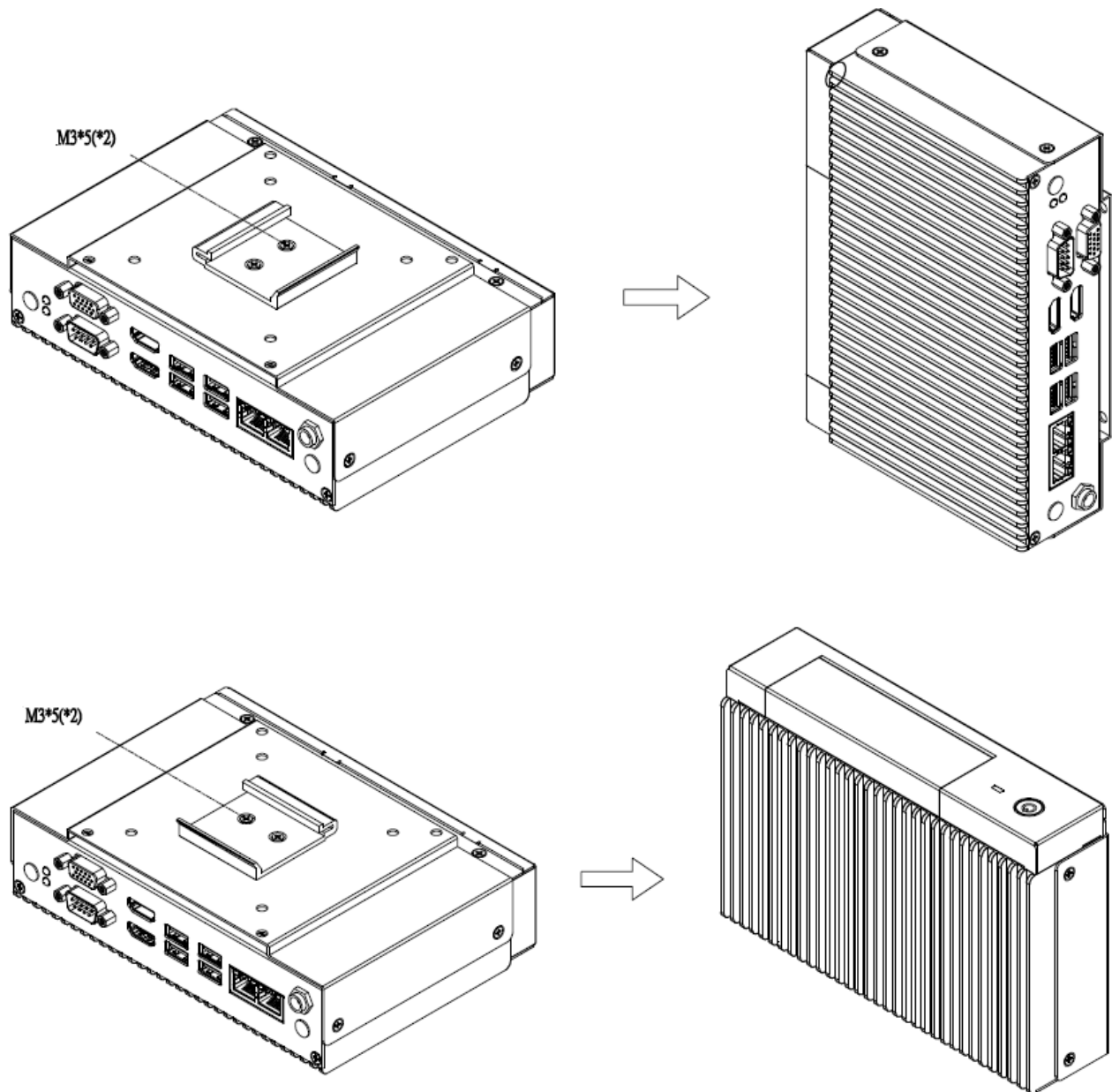
2.4 Installing Mounting Brackets (EPC-APL)



Step1. Remove 4 screws from the side.

Step2. Insert and fasten screw on each side of the system to secure Mounting brackets.

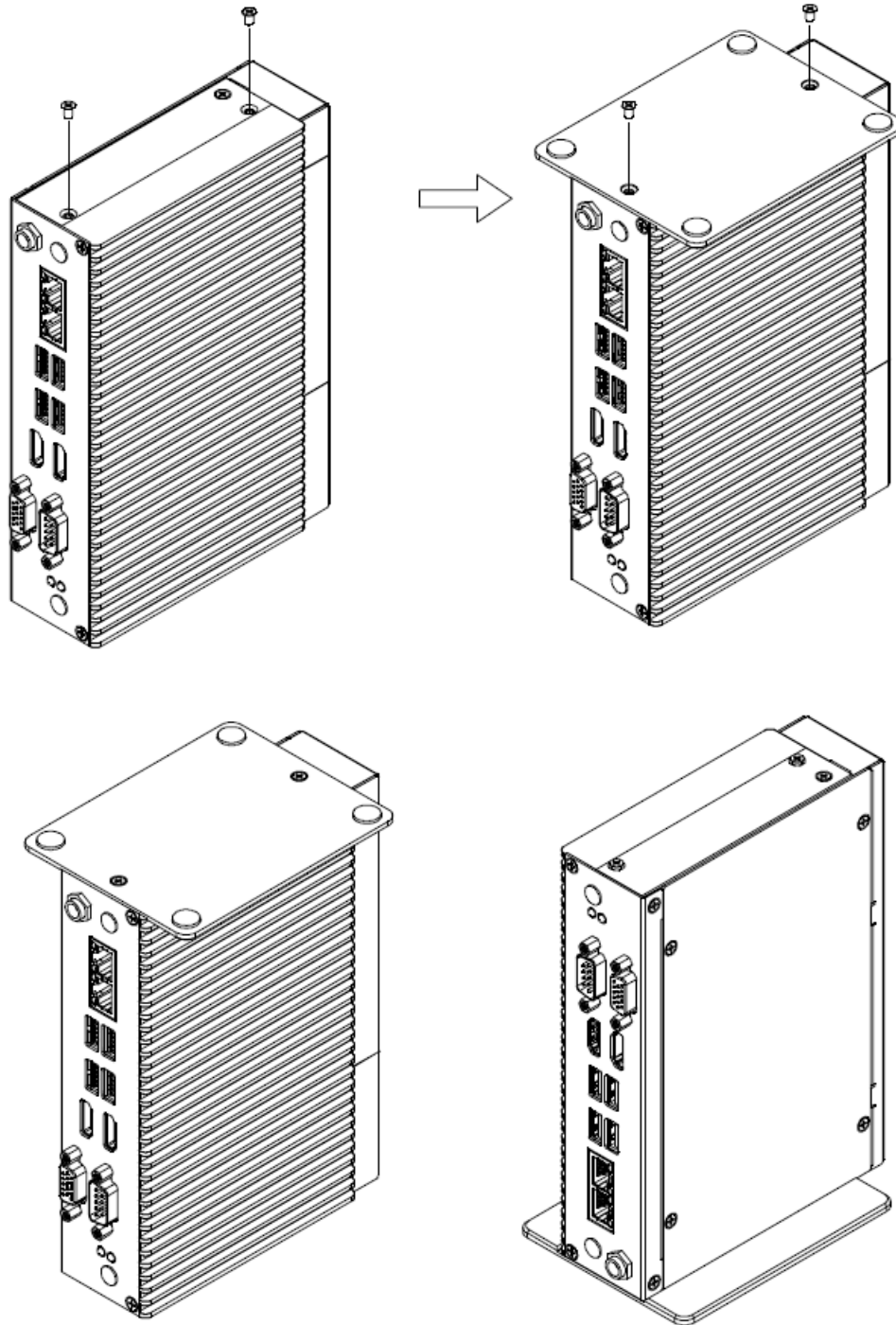
2.5 Installing Din Rail Mounting (EPC-APL)



Step1. Position brackets on both sides, matching the holes on the system.

Step2. Insert and fasten screws on each side of the system to secure Mounting bracket.

2.6 Installing Stand (EPC-APL)



Step1. Remove 2 screws from the side.

Step2. Fasten 2 screws on the side of the system to secure Stand.

