

# INOSP-151-RE / INOSP-191-RE Intel® Atom™ D2550 Processor Stainless Steel Panel PC

INOSP Series 15" 19"



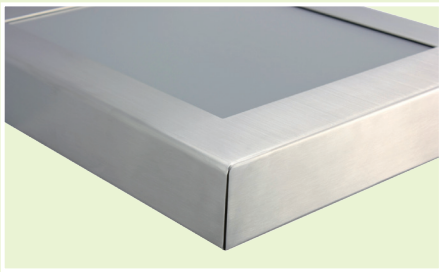
## I/O View



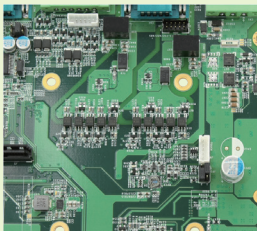
INOSP-151-RE / INOSP-191-RE

## Features

- Resistive touch screen
- Dual-Core fanless design
- Durable stainless steel housing



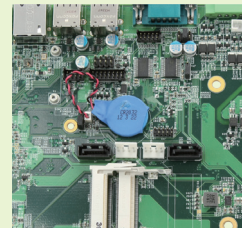
- Wide-range 12~36V DC power input
- Isolated RS-232/422/485



- IP65-grade protection with L-type waterproof cover (optional)



- Long-life 500mA, wide range -40~110°C RTC battery



### What's isolated?

Isolated RS-232/244/485 serial port to protect your serial devices, such as PLC device, from burn outs and shorts.

# INOSP-151-RE / INOSP-191-RE

## Specifications

Model No.		INOSP-151-RE	INOSP-191-RE
Display & Touch Screen	Display Size	15" TFT-LCD	19" TFT-LCD
	Max. Resolution	1024 x 768	1280 x 1024
	Luminance (cd/m <sup>2</sup> )	500	350
	Contrast	800:1	1000:1
	Max. Color	16.2M	16.7M
	View Angle (H°/V°)	160/160	170/160
	Backlight Lifetime(hrs)	50000	50000
	Touch Type	Resistive	Resistive
	Touch Interface	Default RS-232, USB for option	Default RS-232, USB for option
	Light Transmission (%)	80	80
	Point of touch	1	1
I/O Interface	USB 3.0	0	0
	USB 2.0	2	2
	RS-232/422/485 Selectable under BIOS	1	1
	RS-232	1	1
	LAN	2x GbE	2x GbE
	Additional Graphics	None	None
	Audio	Mic-in / Speaker-out	Mic-in / Speaker-out
	Digital I/O	2in / 2out	2in / 2out
	Power Connector	3-pin terminal block	3-pin terminal block
	Power Button	None	None
Mechanical	Dimensions (mm)	425 x 330 x 60	470 x 390 x 60
	Net Weight (kgs)	6.3 w/o cover	8.2 w/o cover
System	Processor	Intel® Atom™ Processor D2550 (1M cache, 1.86 GHz)	Intel® Atom™ Processor D2550 (1M cache, 1.86 GHz)
	Memory	2x DDR3-1033 / 1066 SO-DIMM, up to 4GB	2x DDR3-1033 / 1066 SO-DIMM, up to 4GB
	Thermal Design	Fanless	Fanless
	Membrane Control	None	None
	Built-in Speaker/MIC	None	None
Expansion	Internal Expansion Bus	1x Mini PCI-E half/full size	1x Mini PCI-E half/full size
	Expansion Slot	None	None
	Wireless	None	None
Storage Space	HDD	1x 2.5" SATA	1x 2.5" SATA
	Removable	1x CFAST slot	1x CFAST slot
Power	Power Input Range	12~36V DC	12~36V DC
Construction	Chassis Material	304 stainless steel / 316 stainless steel as option	304 stainless steel / 316 stainless steel as option
	Color (Front/Back)	Silver / Silver	Silver / Silver
	IP Rating	IP65 (except I/O side; Waterproof I/O cover with M12 connector is optional)	IP65 (except I/O side; Waterproof I/O cover with M12 connector is optional)
	Mounting	VESA 75x75 and 100x100 mm	VESA 100x100 mm
Environment	Operating Temperature	0°C ~ 50°C	0°C ~ 50°C
	Storage Temperature	-20°C ~ 60°C	-20°C ~ 60°C
	Storage Humidity	10%~90% @ 40°C (non-condensing)	
	Certification	CE/FCC Class B	
	Supported Operating Systems	Windows Embedded Standard 7, Windows 7 Pro for Embedded	

01

Vertical Applications  
Panel PC

02

Stainless Steel  
Panel PC

03

All-In-one Panel  
PC with Riser Card  
Expansion

04

Compact Panel PC

05

Heavy-duty  
Industrial Panel PC

06

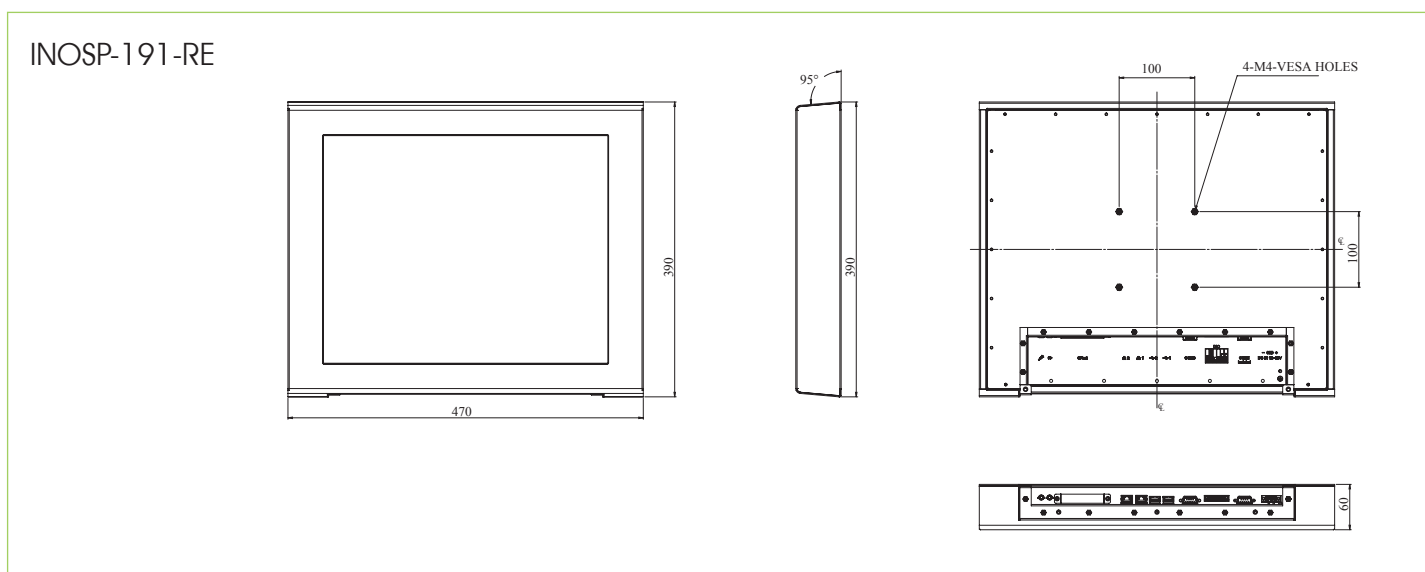
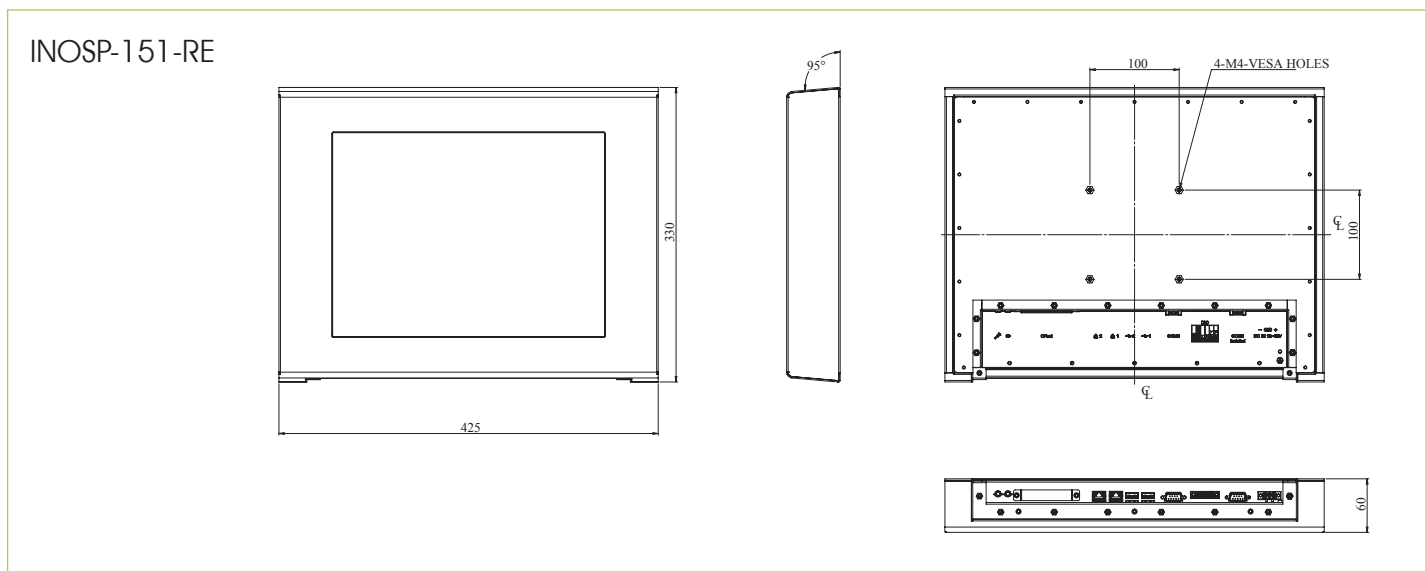
ARM-Based  
Panel PC

07

ARM-Based HMI

# INOSP-151-RE / INOSP-191-RE

## Dimensions



## Ordering Information

INOSP-151-RE	15" Stainless Steel Panel PC with IB809, Intel® Atom™ Processor D2550 1.86GHz, 4GB DDR3 memory, 64G SSD, with resistive touch screen, w/o adaptor
INOSP-191-RE	19" Stainless Steel Panel PC with IB809, Intel® Atom™ Processor D2550 1.86GHz, 4GB DDR3 memory, 64G SSD, with resistive touch screen, w/o adaptor
191B Cover (optional)	IP65 I/O cover for INOSP, M12 connectors with LAN/2x USB 2.0/COM and power input, backward direction
191D Cover (optional)	IP65 I/O cover for INOSP, M12 connectors with LAN/2x USB 2.0/COM and power input, downward direction
Power adaptor (optional)	AC 90V~240V input, 12V DC output 84W power adaptor IBASE P/N: A005PS084W0050000P
SSPA-24 (optional)	90V~240V AC input, 24VDC output IP56 stainless steel power adaptor