

IPPC15B7-RE / IPPC15B9-RE IPPC17B9-RE / IPPC19B9-RE

Intel® Atom™ D2550/ Core™ i
Heavy-Duty Industrial B7/B9 Panel PC

IPPC Series 15" 17" 19"



I/O View



IPPC B7 Series



IPPC B9 Series

Features

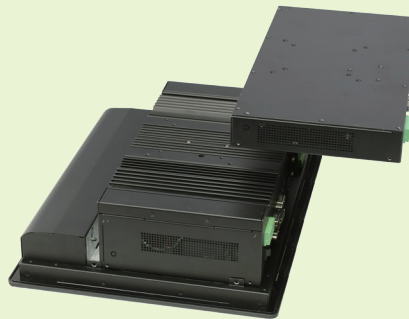
- Fanless design modularized Panel PC
- IP65 front panel protection
- 5-wire resistive touch panel
- Slim & compact design
- Riser card expansion
B9 series 2x PCI
B7 series 1x PCI



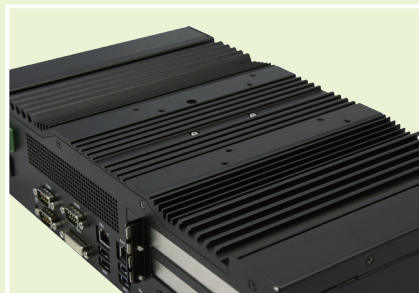
- Optional wide-range DC power, for B7 series only



- Modular design, swappable computing box (For 15" model only)



- Intel® Core™ I platform, fanless (B9 series)



01 Vertical Applications Panel PC

02 Stainless Steel Panel PC

03 All-In-One Panel PC with Riser Card Expansion

04 Compact Panel PC

05 Heavy-duty Industrial Panel PC

06 ARM-Based Panel PC

07 ARM-Based HMI

IPPC15B7-RE/IPPC15B9-RE/IPPC17B9-RE/IPPC19B9-RE

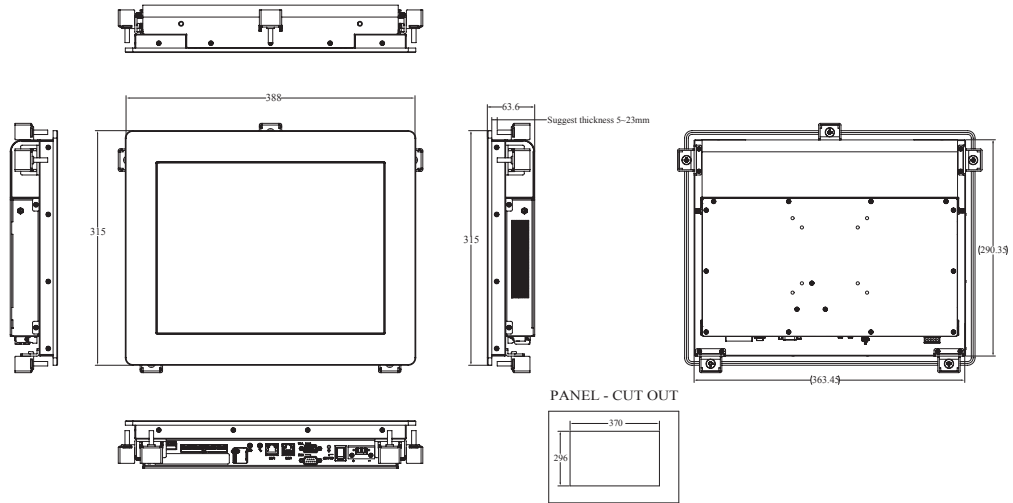
Specifications

Model No.		IPPC15B7-RE	IPPC15B9-RE	IPPC17B9-RE	IPPC19B9-RE
Display & Touch Screen	Display Size	15" TFT-LCD	15" TFT-LCD	17" TFT-LCD	19" TFT-LCD
	Max. Resolution	1024 x 768	1024 x 768	1280 x 1024	1280 x 1024
	Luminance (cd/m ²)	400	400	350	350
	Contrast	700:1	700:1	800:1	1000:1
	Max. Color	16.2M	16.2M	16.7M	16.7M
	View Angle (H°/V°)	160/140	160/140	170/170	170/160
	Backlight Lifetime(hrs)	50000	50000	50000	50000
	Touch Type	Resistive	Resistive	Resistive	Resistive
	Touch Interface	USB	USB	USB	USB
	Light Transmission (%)	80	80	81	81
I/O Interface	Point of touch	1	1	1	1
	USB 3.0	0	2	2	2
	USB 2.0	4	2	2	2
	RS-232/422/485 Selectable under BIOS	1	2	2	2
	RS-232	0	1	1	1
	LAN	2x GbE	2x GbE	2x GbE	2x GbE
	Additional Graphics	VGA	DVI-I	DVI-I	DVI-I
	Audio	Mic-in / Line-out	Mic-in / Line-out	Mic-in / Line-out	Mic-in / Line-out
	Digital I/O	2in / 2out	4in / 4out	4in / 4out	4in / 4out
	Power Connector	3-pin terminal block	3-pin terminal block	3-pin terminal block	3-pin terminal block
Mechanical	Power Button	Rock switch	Rock switch	Rock switch	Rock switch
	Dimensions (mm)	388 x 315 x 63.6	388 x 315 x 110.14	430 x 365 x 118.1	465 x 390 x 118.1
System	Net Weight (kgs)	6.5	7.9	9.2	9.8
	Processor	Intel® Atom™ Processor D2550 1M cache, 1.86GHz	Intel® Core™ i3-2340UE 1.3 GHz	Intel® Core™ i3-2340UE 1.3 GHz	Intel® Core™ i3-2340UE 1.3 GHz
	Memory	1x DDR3-1066 SO-DIMM up to 4GB	2x DDR3-1333 SO-DIMM up to 16GB	2x DDR3-1333 SO-DIMM up to 16GB	2x DDR3-1333 SO-DIMM up to 16GB
	Thermal Design	Fanless	Fanless	Fanless	Fanless
	Membrane Control	None	None	None	None
Expansion	Built-in Speaker/MIC	None	None	None	None
	Internal Expansion Bus	1x Mini PCI-E half/full size	2x Mini PCI-E half/full size	2x Mini PCI-E half/full size	2x Mini PCI-E half/full size
	Expansion Slot	1x PCI slot	2x PCI slot	2x PCI slot	2x PCI slot
Storage Space	Wireless	Optional Wi-Fi/BT	Optional Wi-Fi/BT	Optional Wi-Fi/BT	Optional Wi-Fi/BT
	HDD	1x 2.5" SATA	1x 2.5" SATA	1x 2.5" SATA	1x 2.5" SATA
Power	Removable	None	1x CFast slot	1x CFast slot	1x CFast slot
	Power Input Range	9V~32V DC Optional 12V DC	12V~24V DC	12V~24V DC	12V~24V DC
Construction	Chassis Material	Aluminum front bezel and black steel back cover with aluminum heat-sink	Aluminum front bezel and black steel back cover with aluminum heat-sink	Aluminum front bezel and black steel back cover with aluminum heat-sink	Aluminum front bezel and black steel back cover with aluminum heat-sink
	Color (Front/Back)	Black / Black	Black / Black	Black / Black	Black / Black
	IP Rating	IP65 front bezel	IP65 front bezel	IP65 front bezel	IP65 front bezel
	Mounting	Panel mount and VESA 75x75 and 100x100 mm	Panel mount and VESA 75x75 and 100x100 mm	Panel mount and VESA 75x75 and 100x100 mm	Panel mount and VESA 75x75 and 100x100 mm
Environment	Operating Temperature	0°C ~ 50°C	0°C ~ 50°C	0°C ~ 50°C	0°C ~ 50°C
	Storage Temperature	-20°C~ 60°C	-20°C ~ 60°C	-20°C ~ 60°C	-20°C ~ 60°C
	Storage Humidity	10%~90% (non-condensing)			
	Certification	CE/FCC Class B			
	Supported Operating Systems	Windows Embedded Standard 7, Windows 7 Pro for Embedded			

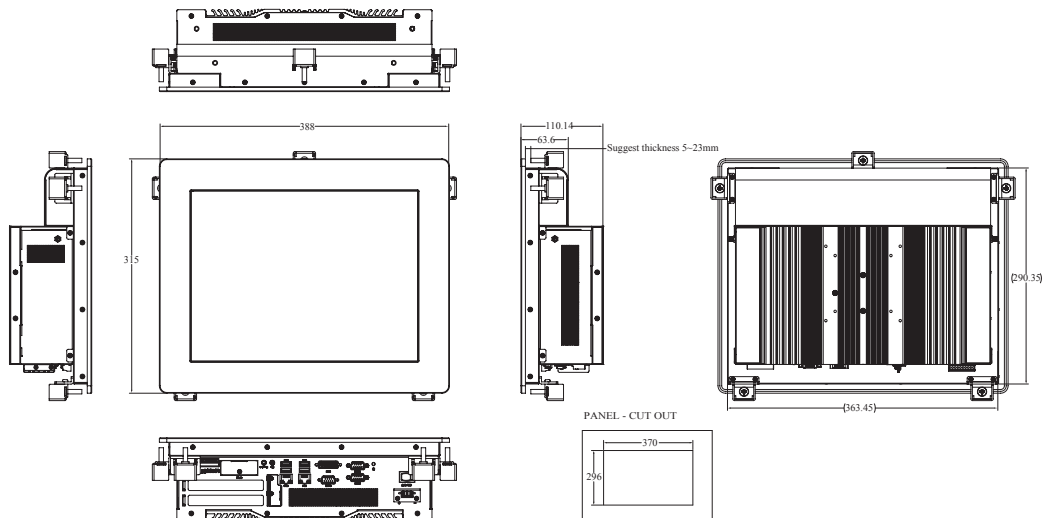
IPPC15B7-RE/IPPC15B9-RE/IPPC17B9-RE/IPPC19B9-RE

Dimensions

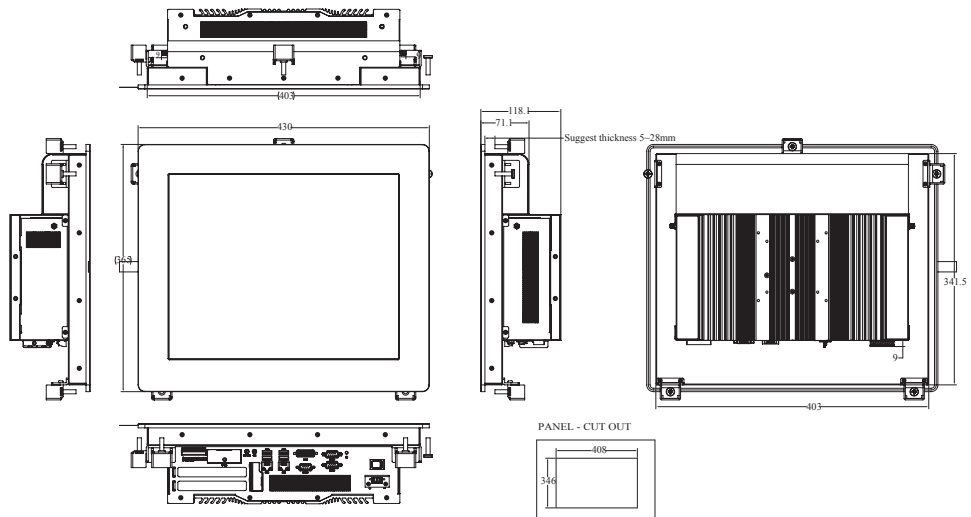
IPPC15B7-RE



IPPC15B9-RE

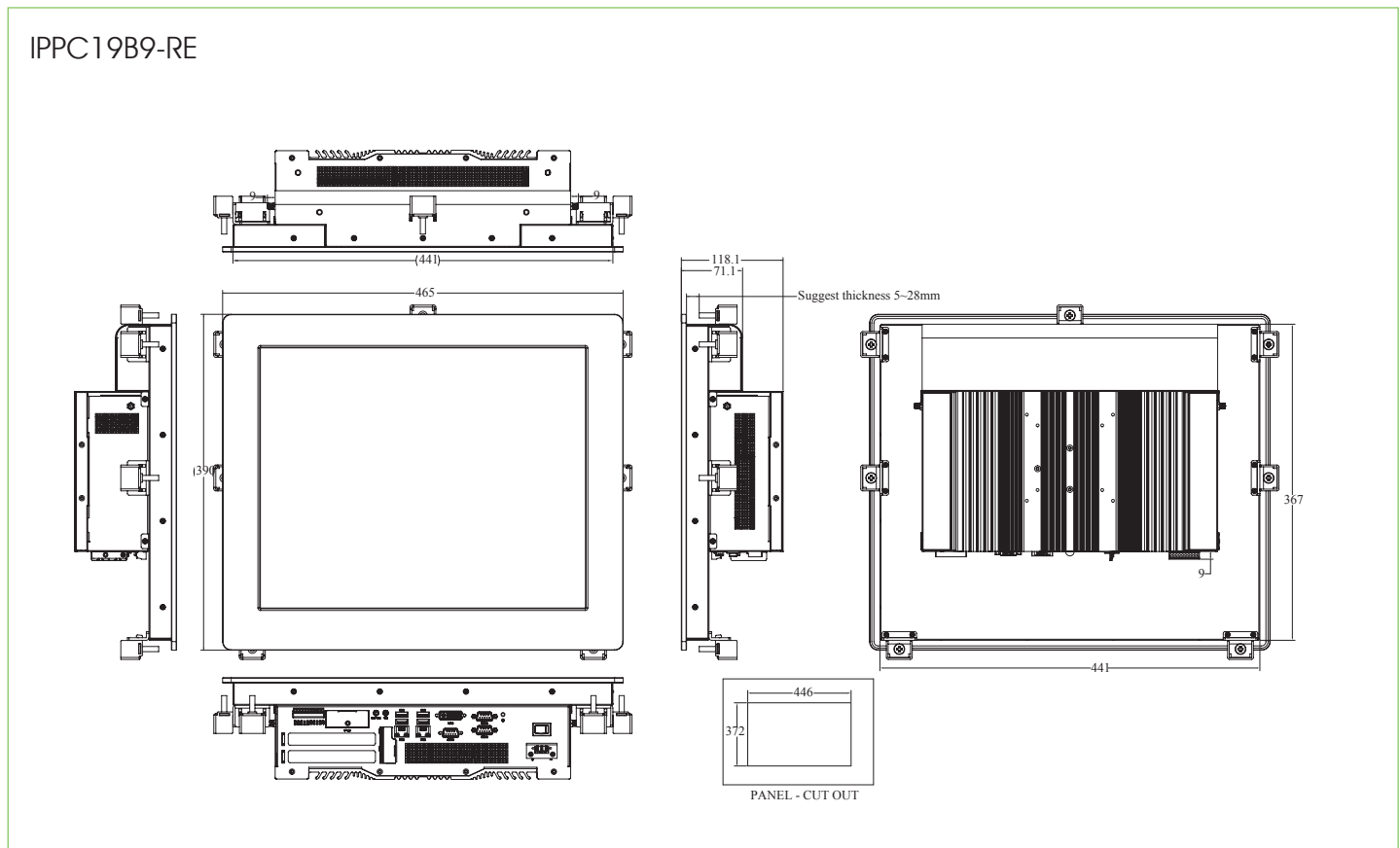


IPPC17B9-RE



IPPC15B7-RE/IPPC15B9-RE/IPPC17B9-RE/IPPC19B9-RE

Dimensions



Ordering Information

IPPC15B7-RE	15" Modularized Panel PC with IB806, Intel® Atom™ Processor D2550 1.86GHz, 2GB DDR3 SO-DIMM, 320GB HDD, 9~32V DC, and resistive touch, w/o power adaptor
IPPC15B9-RE	15" Modular Panel PC with resistive touch Intel® Core™ i3-2340UE Processor 1.3GHz CPU, 4GB DDR3-1333 SO-DIMM, 320G HDD, 12~24V wide range DC input, w/o power adaptor
IPPC17B9-RE	17" Modular Panel PC with resistive touch Intel® Core™ i3-2340UE Processor 1.3GHz CPU, 4GB DDR3-1333 SO-DIMM, 320G HDD, 12V-24V wide range DC input, w/o power adaptor
IPPC19B9-RE	19" Modular Panel PC with resistive touch Intel® Core™ i3-2340UE Processor 1.3GHz CPU, 4GB DDR3-1333 SO-DIMM, 320G HDD, 12V-24V wide range DC input, w/o power adaptor
Power adaptor (optional)	AC 90V~240V input, 12V DC output 84W power adaptor