



## Features

- Fanless Design
- Intel® Atom D2550 1.8G Processor
- Onboard DDR3 4GB
- 11~32V DC wide-ranging power input
- 5 sides IP65
- 5-Wire Resistive Touch Screen



## Specifications

### System

Processor	Intel Atom D2550 1.8G Processor
System Chipset	Intel NM10 Express
System Memory	Onboard DDR3 4GB

### IO Port

USB	2 x USB 2.0 type A
Serial/Paralle	1 x RS-232/422/485 selectable default RS-485 DB9 (COM 1) 1 x RS-232 DB9 (COM 2)
Audio	1 x Line out, phone jack
Graph	None
LAN	2 x GbE RJ-45
Digital I/O	None
KB/MS	None
Membrane control	None
Power	1 x 3 pins terminal block connector 1 x Power switch
TB-528C1U2PS1	2 x USB 1 x RS-232 (COM 5)

### Storage Space

HDD	1 x 2.5" HDD space
Movable device	1 x Internal SD slot on board

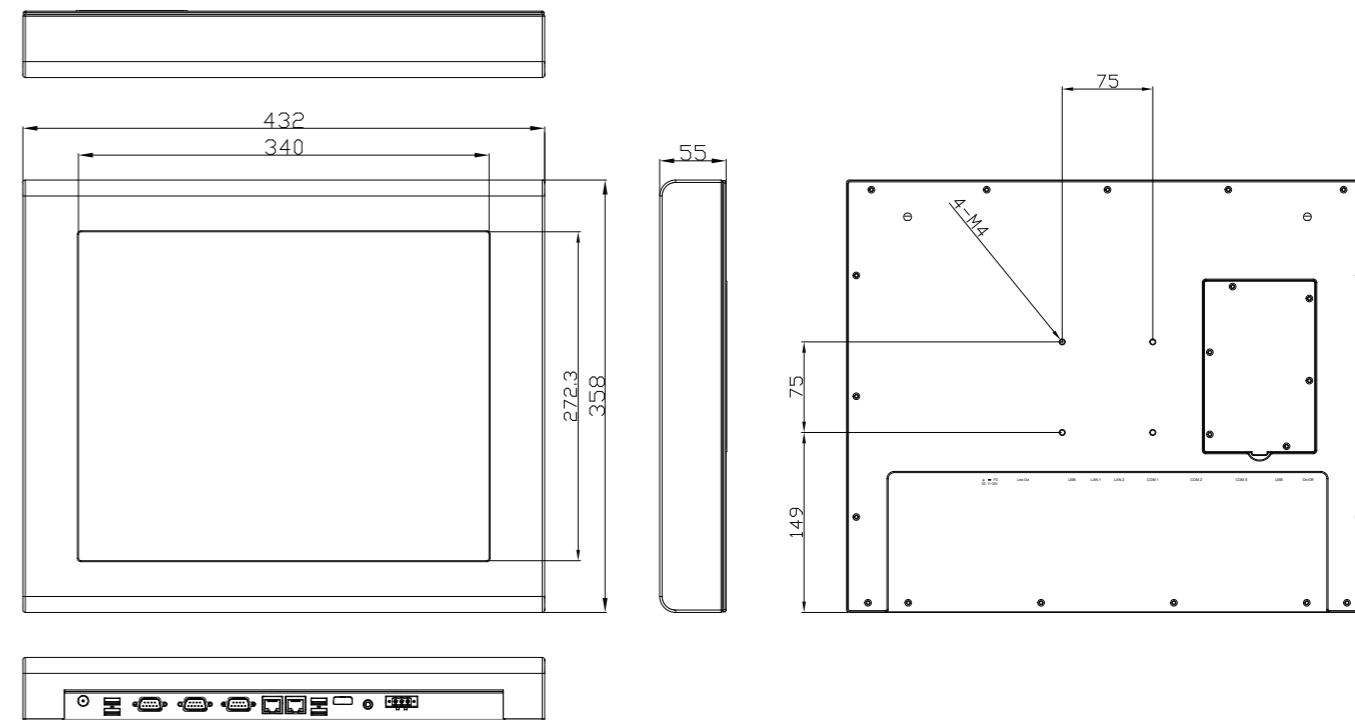
### Expansion

On board expansion bus	1 x Mini PCIe half size Option wifi/BT with Antenna
------------------------	--------------------------------------------------------

### Display

Display Type	17" TFT-LCD
Max. Resolution	1280x1024
Max. Color	16.7M
Luminance (cd/m <sup>2</sup> )	350
View Angle	170/170
Contrast	1000:1
Backlight Lifetime	50,000

## Dimensions



### Touch Screen

Type	Resistive Touch
Interface	Default USB
Light transmission (%)	80%

### Power

Power input	11~32V DC
Power Consumption	Max: 33.6W

### Mechanical

Construction	Steel/Black
IP Rating	5 sides IP65
Mounting	VESA 75 x 75
Dimension (mm)	432 x 358 x 55
Net Weight (Kgs)	7.6

### Environmental

Operating temperature(°C)	0~50°C (with HDD) -20~60°C (with Industrial SSD) Optional
Storage temperature(°C)	-30~70°C
Storage humidity	10 to 90% @ 40°C, non-condensing
Certification	CE/FCC class A

### Operating System Support

Microsoft Windows 7 pro for embedded, Windows embedded standard 7

### Ordering information

APC-3785AT-05	17" SXGA 5 sides IP65 Intel Atom D2550 1.8G fan less panel PC, DDR3 4G on board, 2.5" SATA2 320GB HDD, Resistive touch, 11~32VDC power input with adaptor, steel enclosure
---------------	----------------------------------------------------------------------------------------------------------------------------------------------------------------------------