

SI-623-N

Digital Signage Player

User's Manual

Version 1.0
(Oct. 2017)



Copyright

© 2017 IBASE Technology, Inc. All rights reserved.

No part of this publication may be reproduced, copied, stored in a retrieval system, translated into any language or transmitted in any form or by any means, electronic, mechanical, photocopying, or otherwise, without the prior written consent of IBASE Technology, Inc. (hereinafter referred to as "IBASE").

Disclaimer

IBASE reserves the right to make changes and improvements to the products described in this document without prior notice. Every effort has been made to ensure the information in the document is correct; however, IBASE does not guarantee this document is error-free.

IBASE assumes no liability for incidental or consequential damages arising from misuse or inability to use the product or the information contained herein, and for any infringements of rights of third parties, which may result from its use.

Trademarks

All the trademarks, registrations and brands mentioned herein are used for identification purposes only and may be trademarks and/or registered trademarks of their respective owners.

Compliance

CE

The product described in this manual complies with all applicable European Union (CE) directives if it has a CE marking. For systems to remain CE compliant, only CE-compliant parts may be used. Maintaining CE compliance also requires proper cable and cabling techniques.

FCC

This product has been tested and found to comply with the limits for a Class B device, pursuant to Part 15 of the FCC Rules. These limits are designed to provide reasonable protection against harmful interference in a residential installation. This equipment generates, uses and can radiate radio frequency energy and, if not installed and used in accordance with manufacturer's instructions, may cause harmful interference to radio communications.

WEEE



This product must not be disposed of as normal household waste, in accordance with the EU directive of for waste electrical and electronic equipment (WEEE - 2012/19/EU). Instead, it should be disposed of by returning it to a municipal recycling collection point. Check local regulations for disposal of electronic products.

Green IBASE



This product complies with the current RoHS directives restricting the use of the following substances in concentrations not to exceed 0.1% by weight (1000 ppm) except for cadmium, limited to 0.01% by weight (100 ppm).

- Lead (Pb)
- Mercury (Hg)
- Cadmium (Cd)
- Hexavalent chromium (Cr6+)
- Polybrominated biphenyls (PBB)
- Polybrominated diphenyl ether (PBDE)

Important Safety Information

Carefully read the following safety information before using this device.

Setting up your system:

- Put the device horizontally on a stable and solid surface.
- Do not use this product near water or any heated source.
- Leave plenty of space around the device and do not block the ventilation openings. Never drop or insert any objects of any kind into the openings.
- Use this product in environments with ambient temperatures between 0°C and 45°C.

Care during use:

- Do not place heavy objects on the top of the device.
- Make sure to connect the correct voltage to the device. Failure to supply the correct voltage could damage the unit.
- Do not walk on the power cord or allow anything to rest on it.
- If you use an extension cord, make sure the total ampere rating of all devices plugged into the extension cord does not exceed the cord's ampere rating.
- Do not spill water or any other liquids on your device.
- Always unplug the power cord from the wall outlet before cleaning the device.
- Only use neutral cleaning agents to clean the device.
- Vacuum dust and particles from the vents by using a computer vacuum cleaner.

Product Disassembly

Do not try to repair, disassemble, or make modifications to the device. Doing so will void the warranty and may result in damage to the product or personal injury.



CAUTION

There is a danger of explosion if the lithium-ion battery is replaced with an incorrect battery. Replace only with the same or equivalent type recommended by the manufacturer. Dispose of used batteries by observing local regulations.

Warranty Policy

- **IBASE standard products:**

24-month (2-year) warranty from the date of shipment. If the date of shipment cannot be ascertained, the product serial numbers can be used to determine the approximate shipping date.
- **3rd-party parts:**

12-month (1-year) warranty from delivery for 3rd-party parts that are not manufactured by IBASE, such as CPU, CPU cooler, memory, storage devices, power adaptor, display panel and touch screen.
- * PRODUCTS, HOWEVER, THAT FAIL DUE TO MISUSE, ACCIDENT, IMPROPER INSTALLATION OR UNAUTHORIZED REPAIR SHALL BE TREATED AS OUT OF WARRANTY AND CUSTOMERS SHALL BE BILLED FOR REPAIR AND SHIPPING CHARGES.

Technical Support & Services

1. Visit the IBASE website at www.ibase.com.tw to find the latest information about the product.
2. If you encounter any technical problems and require assistance from your distributor or sales representative, please prepare and send the following information:
 - Product model name
 - Product serial number
 - Detailed description of the problem
 - Error messages in text or screenshots if any
 - The arrangement of the peripherals
 - Software used (such as OS and application software)
3. If repair service is required, please download the RMA form at <http://www.ibase.com.tw/english/Supports/RMAService/>. Fill out the form and contact your distributor or sales representative.

Table of Contents

Compliance	iii
Important Safety Information	iv
Warranty Policy	v
Technical Support & Services	v
Chapter 1 General Information	1
1.1 Introduction	2
1.2 Features.....	2
1.3 Packing List	3
1.4 Optional Accessories	3
1.5 Specifications.....	4
1.6 Overview.....	6
1.7 Dimensions	8
Chapter 2 Hardware Installation & Motherboard Information	9
2.1 Installations.....	10
2.1.1 Memory Module Installation	10
2.1.2 Mini-PCIe & M.2 Cards Installation	11
2.1.3 WiFi / 3G / 4G Antenna Installation.....	12
2.1.4 HDMI Cable Holder Installation.....	12
2.1.5 Mounting Installation.....	13
2.1.6 Pin Assignment for Power Input Connector	14
2.2 Setting the Jumpers	15
2.2.1 How to Set Jumpers	15
2.3 Jumper & Connector Locations on Motherboard	16
2.4 Jumper & Connectors Quick Reference	18
2.4.1 Clearing CMOS Data Selection (JP7)	19
2.4.2 DC Power Input (CN12).....	19
2.4.3 COM1 RS-232 Port (CN7).....	20
2.4.4 CPU Fan Power Connector (J3)	20
2.4.5 USB 2.0 Ports Header (J12)	21
2.4.6 COM2 RS-232 Port (J10)	21
2.4.7 System Function Connector (J14)	22
2.4.8 Digital I/O Connector (J13)	22

Chapter 3	Driver Installation	23
3.1	Introduction	24
3.2	Intel® Chipset Software Installation Utility	24
3.3	Intel® Graphics Driver Installation	25
3.4	HD Audio Driver Installation	26
3.5	LAN Driver Installation	27
3.6	Intel® Management Engine Components Drivers Installation.....	28
Chapter 4	BIOS Setup	29
4.1	Introduction	30
4.2	BIOS Setup.....	30
4.3	Main Settings	31
4.4	Advanced Settings	32
4.4.1	M.2 (NGFF) Configuration	32
4.4.2	iSmart Controller.....	33
4.4.3	AMT Configuration.....	34
4.4.4	F81846 Super IO Configuration	35
4.4.5	Hardware Monitor	38
4.4.6	CPU Configuration.....	39
4.4.7	SATA Configuration	40
4.4.8	CSM Configuration	41
4.4.9	USB Configuration.....	42
4.5	Chipset Settings.....	43
4.5.1	System Agent Bridge Name.....	43
4.5.2	PCH-IO Configuration.....	44
4.6	Security Settings	45
4.7	Boot Settings.....	46
4.8	Save & Exit Settings.....	47
Appendix	48
A.	I/O Port Address Map.....	49
B.	Interrupt Request Lines (IRQ)	51
C.	Watchdog Timer Configuration.....	52

Chapter 1

General Information

The information provided in this chapter includes:

- Features
- Packing List
- Specifications
- Optional Accessories
- Overview
- Dimensions

1.1 Introduction

The SI-623-N is a fanless digital signage system powered by Intel® 7th / 6th Generation mobile processors. It supports three display outputs for HDMI high definition video playback and iSmart energy-saving features such as power on/off scheduling and power resume function. The device operates in environments with temperatures ranging from 0°C to 45°C.



1.2 Features

- Compact and fanless digital signage player
- iSmart for auto-scheduler and power resume
- Intel® 7th / 6th Gen. Core™ mobile processor
- Intel® processor HD Graphics 530
- 2 x DDR4-2133 SO-DIMM, dual channel, expandable to 32GB
- 3 x display outputs for HDMI 2.0 (1 port) and HDMI 1.4 (2 ports) with independent audio output and built-in hardware EDID emulation
- Gigabit Ethernet & RS-232 COM ports
- 1 x M.2 B key (3042) for storage, Wi-Fi, Bluetooth and 4G or TV tuner options
- 1 x M.2 M-Key (2280) for storage
- 1 x Mini-PCI-E (full-size) for Wi-Fi, Bluetooth, 4G
- SIM card slot
- iAMT (11.0), TPM1.2, vPro and Watchdog timer

1.3 Packing List

If you buy a barebone SI-623-N, your product package should include the items listed below. If any of the items below is missing, contact the distributor or the dealer from whom you have purchased the product.

Drivers and this user manual are downloadable from our website.

- SI-623-N Digital Signage Player x 1
- Power Adaptor x 1
- Power Cord x 1
- Screws for M.2 Card (M3 x 3.8 mm) x 2
- Screw for Mini-PCIe card (M2 x 0.4 mm) x 1
- HDMI Cable Holder x 1
- Screws with Washer for HDMI Cable Holder (M3 x 6 mm) x 2
- Wall Mount Kit x 1
- Screws for Wall Mount Kit (M3 x 6 mm) x 4

1.4 Optional Accessories

IBASE provides optional accessories as listed below. Please contact us or your dealer if you would like to order any item(s).

- 3G/LTE kit
- WiFi kit
- COM port cable
- VESA Mount
- Screws for VESA Mount
- 1U Rackmount Kit

1.5 Specifications

Product	SI-623-N	
System		
Mainboard	MBD623	
Operating System	<ul style="list-style-type: none"> • Windows 10 (64-bit) • Windows 8.1 (64-bit) • Windows 7 (32-bit / 64-bit), • Linux Fedora / Ubuntu <p>* Embedded OS will be tested by request.</p>	
CPU	Intel® 7 th / 6 th Gen. Core™ mobile processor	
Chipset	Intel® QM170	Intel® HM170
Cache	Up to 8 MB	
Memory	2 x DDR4 SO-DIMM 2133 MHz, dual channel, expandable to 32GB	
Graphics	Intel® processor HD Graphics 530	
Network	Intel® I219LM	Intel® I219V
Super I/O	Fintek F81846AD	
Storage	1 x 2.5" SATA HDD / SSD	
Power Requirement	12V DC-in	
Power Supply	84W power adaptor	
Watchdog	Watchdog Timer 256 segments, 0, 1, 2...255 sec/min	
iSmart	Yes	
Chassis	Aluminum and SGCC, black & white	
Mounting	Slim design with wall mounting holes	
Dimensions (W x H x D)	215.6mm x 40mm x 215.6mm (8.49" x 1.57" x 8.49")	
Net Weight	2.4 kg (5.29 lb)	
Compliance	CE, FCC class B, cULus & CCC	
I/O Ports		
HDMI	<ul style="list-style-type: none"> • 1 x HDMI 2.0 • 2 x HDMI 1.4 	
LAN	1 x GbE RJ45 LAN port	

Serial	<ul style="list-style-type: none"> • 1 x RJ45 for COM1 RS-232 port • 1 x onboard pin-header for COM2 RS-232 port
USB	<ul style="list-style-type: none"> • 2 x USB 3.0 • 2 x USB 2.0
Audio Jack	<ul style="list-style-type: none"> • 1 x Line-Out • 1 x Mic-In
Power Jack	1 x DC-in power jack
SIM	1 x SIM card socket
Expansion	<ul style="list-style-type: none"> • 1 x M.2 B Key (3042) with PCIe (x2), SATA, USB 2.0, USB 3.0 for storage / WiFi / BT / 4G LTE options • 1 x M.2 M Key (2280) with SATA • 1 x Mini-PCIe (x1) for WiFi / BT / TV tuner / 4G LTE options
Environment	
Temperature	<ul style="list-style-type: none"> • Operating: 0°C ~ 45°C (32°F ~ 113°F) • Storage: -20°C ~ 80°C (-4°F ~ 176°F)
Relative Humidity	10 ~ 90% (non-condensing)

All specifications are subject to change without prior notice.

1.6 Overview

Top View



Wall Mount

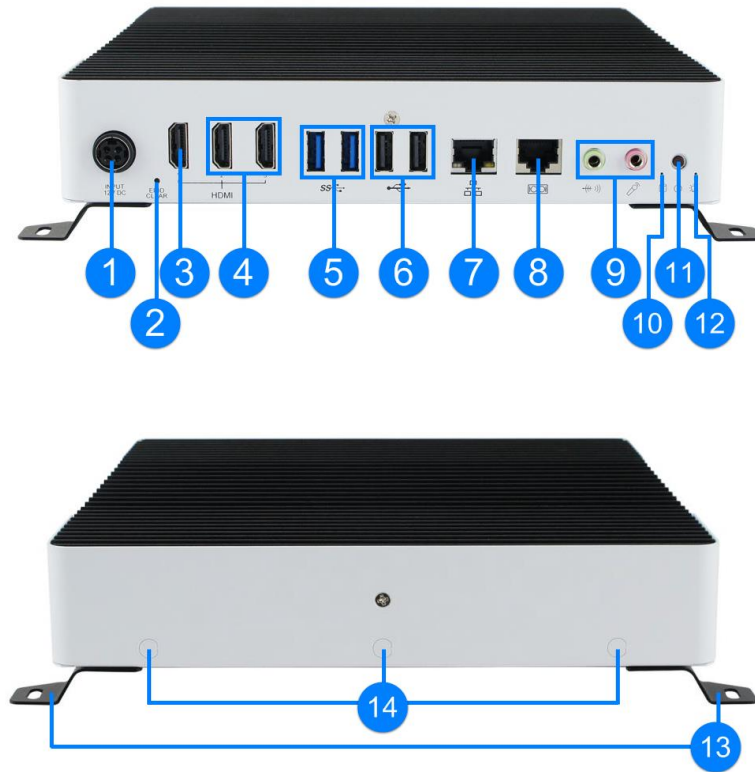


Side Mount



Remarks: The same set (2pcs) of mounting kit can be used for wall mount or side mount methods as shown above.

I/O View

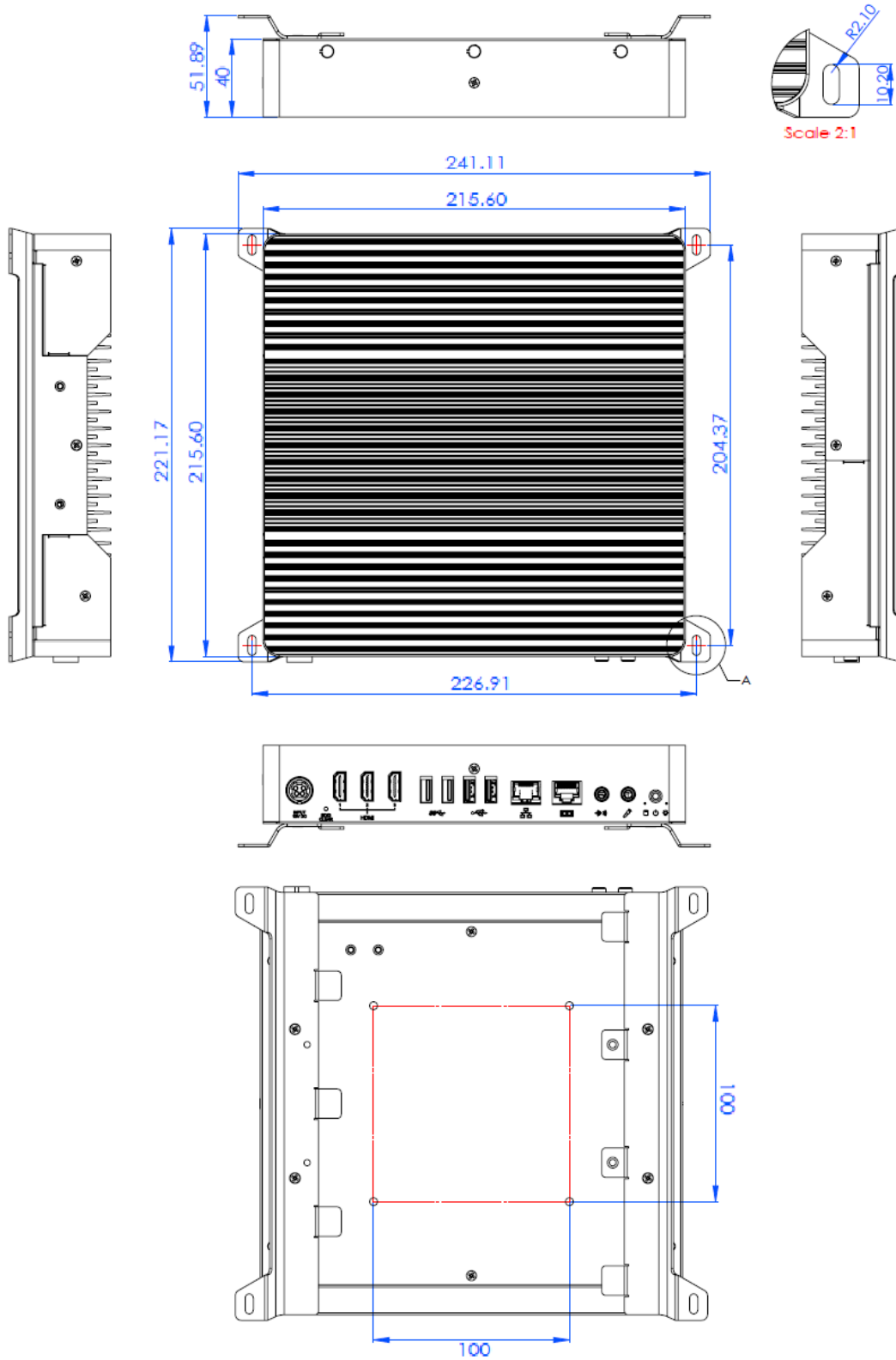


No.	Name	No.	Name
1	DC Power Input	8	COM Port
2	EDID Button*	9	Audio Jacks (From left to right: Line-Out, Mic-In)
3	HDMI 2.0 Port	10	LED Indicator for HDD
4	HDMI 1.4 Ports	11	Power Button
5	USB 3.0	12	LED Indicator for Power
6	USB 2.0	13	Mounting Kit
7	LAN Port	14	Antenna Hole

* Be sure to press the EDID Button to acquire or change the EDID data when the connected display/monitor cannot be recognized, or the displayed image does not fit the screen.

1.7 Dimensions

Unit: mm



Chapter 2

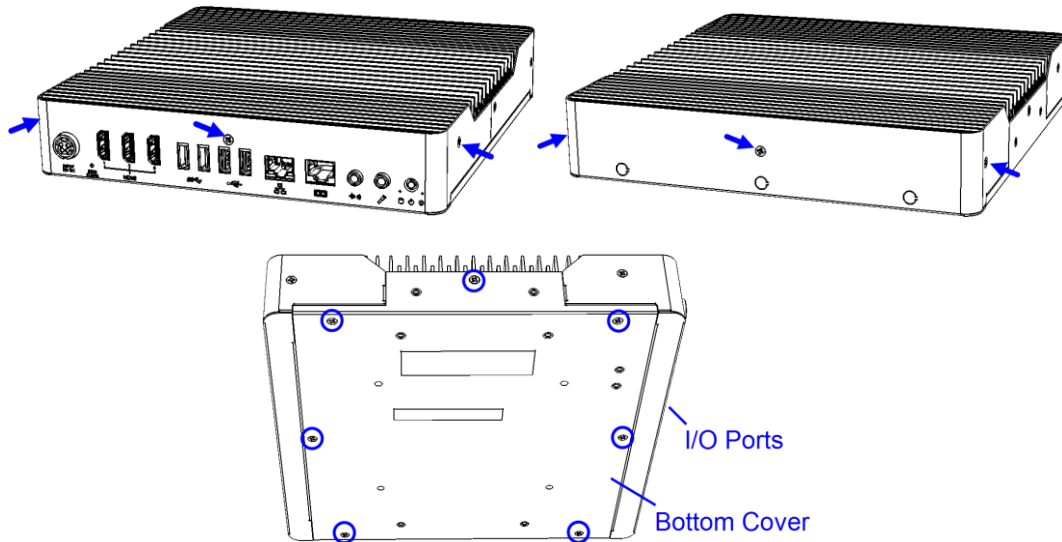
Hardware Installation & Motherboard Information

This section contains general information about:

- Essential installations instructions
- Jumper and connectors

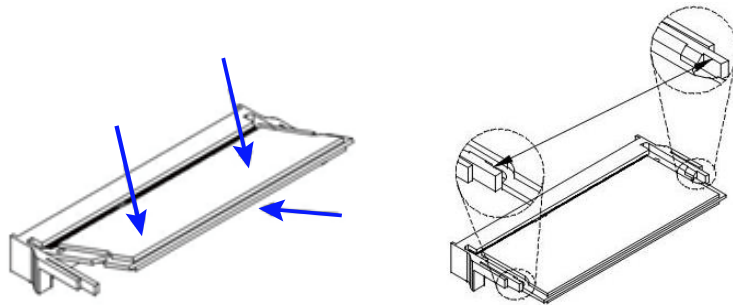
2.1 Installations

Before installing any card or module into the device, remove the screws shown in the picture below. Pull out the side covers and then remove the bottom cover.



2.1.1 Memory Module Installation

To install or replace modules, locate the memory slot on the board and perform the following steps:



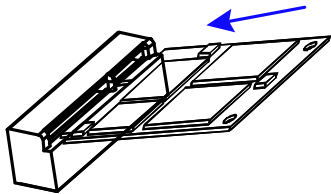
1. Align the key of the memory module with that on the memory slot and insert the module slantwise.
2. Gently push the module in an upright position until the clips of the slot close to hold the module in place when the module touches the bottom of the slot.

To remove a module, use your fingers to press the clips outwards until the module pops up. Grab the module gently and pull it out of the slot.

2.1.2 Mini-PCIe & M.2 Cards Installation

1. Align the mini-PCIe card's bus connector with the mini-PCIe slot, and insert the card slantwise.

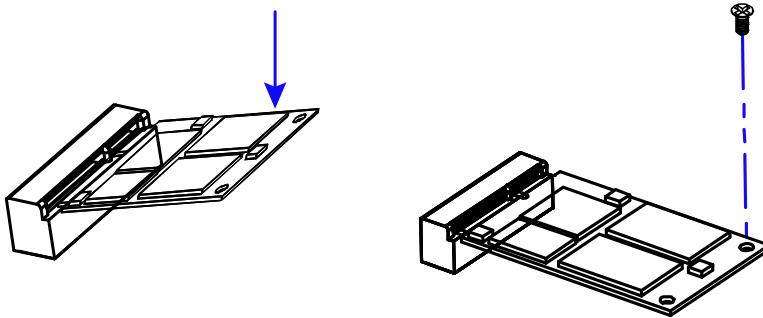
(Insert M.2 cards by using the same method.)



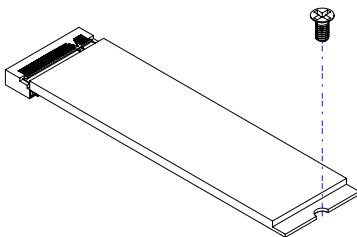
2. Push the mini PCIe card downwards as shown in the picture, and fix it with a screw.

(Fix M.2 cards by using the same method.)

Mini PCIe:



M.2:



2.1.3 WiFi / 3G / 4G Antenna Installation

Insert the WiFi / 3G / 4G antenna extension cable through the antenna hole of the front I/O cover and fasten the antenna as shown below. Then apply adhesive around the hex nut behind the front I/O cover to prevent the extension cable from falling off if the cable becomes loose.

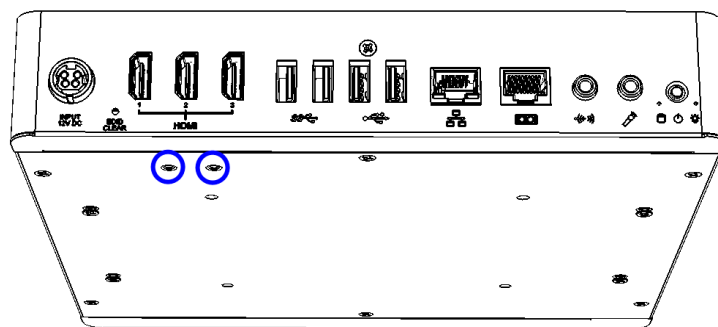
1. Fasten the hex nut and the washer. Then install the antenna.
2. Apply adhesive around here.



Info: The diameter of the nut is around 6.35 mm (0.25"-36UNC).

2.1.4 HDMI Cable Holder Installation

An HDMI cable holder comes with the product package. Align it to the HDMI ports and secure it with the supplied round-head screws (2x) with washer as shown below.



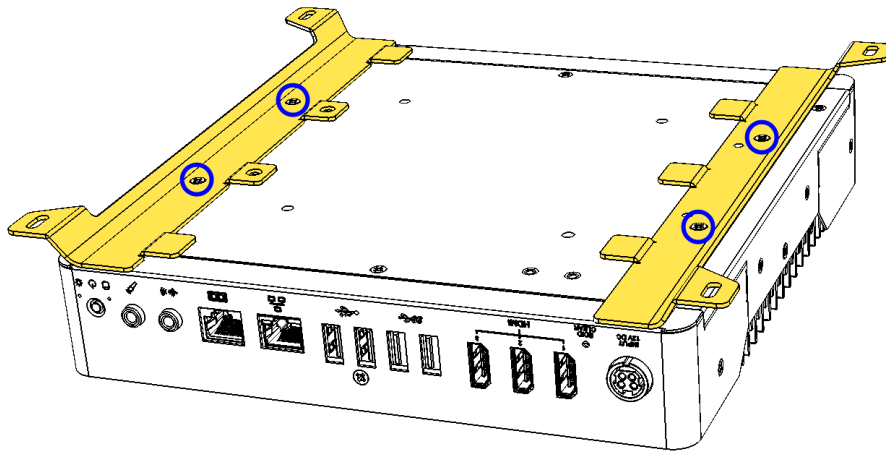
2.1.5 Mounting Installation

Requirements

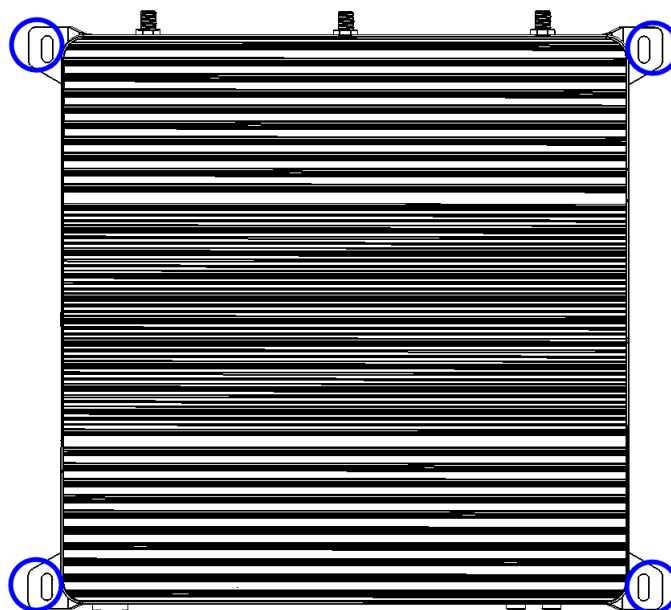
Before mounting the system, ensure that you have enough room for the power adaptor and signal cable routing, and have good ventilation for the power adaptor. The method of mounting must be able to support weight of the SI-623-N plus the weight of the suspending cables attached to the system. Use the following methods for mounting your system:

Wall Mounting Installation

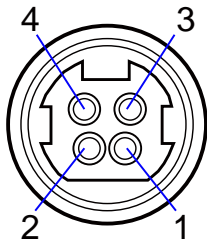
Turn your device upside down. Attach the wall-mount kit to the device and secure with the supplied 4 screws.



Prepare at least 4 screws (M3) to install the device on the wall as shown.



2.1.6 Pin Assignment for Power Input Connector



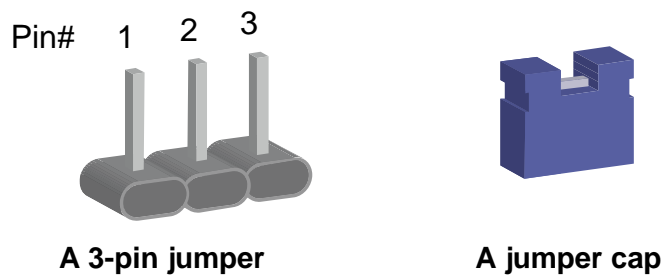
Pin	Signal	Pin	Signal
1	Ground	3	+12V
2	Ground	4	+12V

2.2 Setting the Jumpers

Configure your SI-623-N by using jumpers to enable the features that you need based on your applications. Contact your supplier if you have doubts about the best configuration for your use.

2.2.1 How to Set Jumpers

Jumpers are short-length conductors consisting of several metal pins with a base mounted on the circuit board. Jumper caps are placed (or removed) on the pins to enable or disable functions or features. If a jumper has 3 pins, you can connect Pin 1 with Pin 2 or Pin 2 with Pin 3 by shorting the jumper.



Refer to the illustration below to set jumpers.

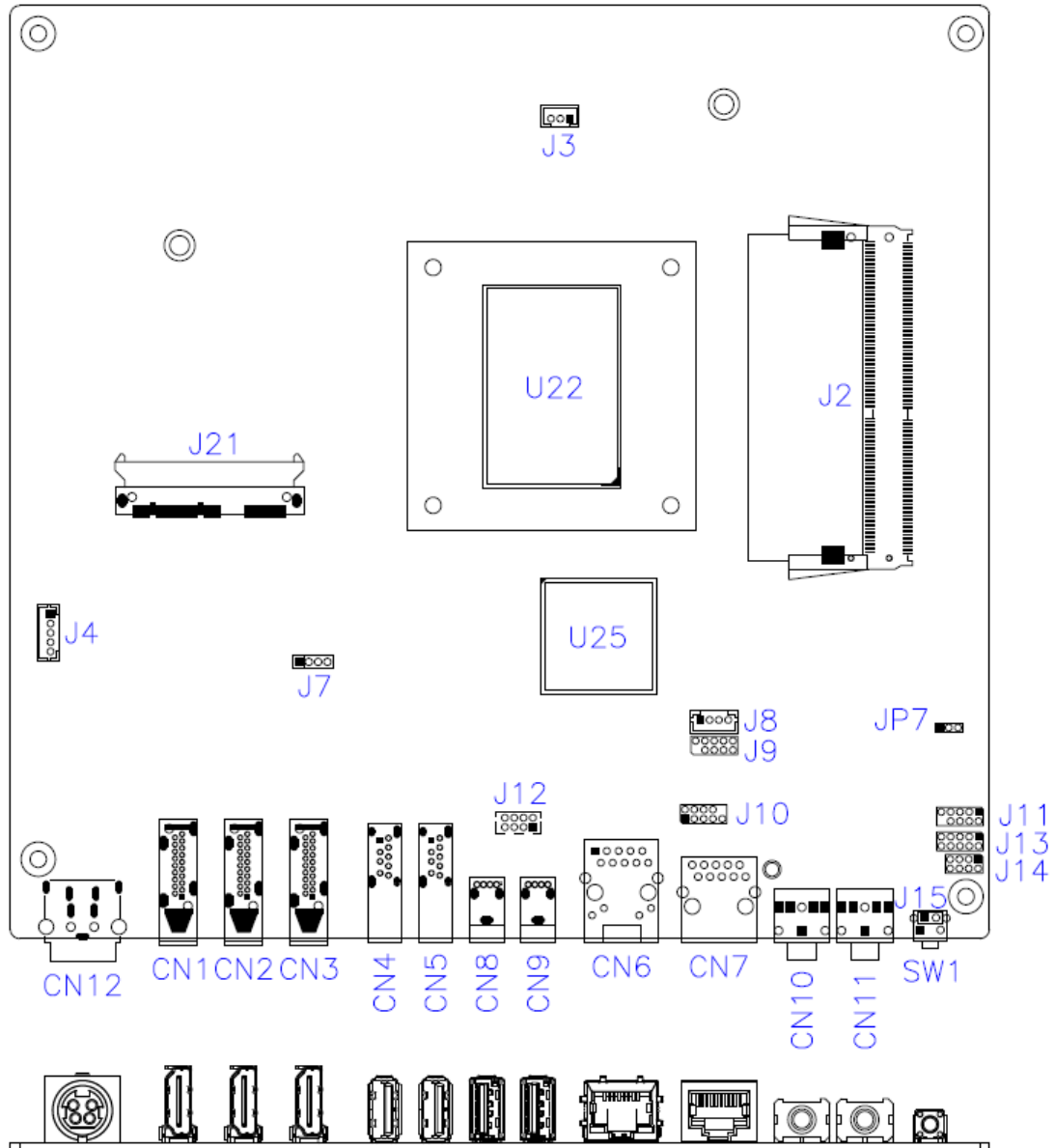
Pin closed	Oblique view	Illustration in the manual
Open		
1-2		
2-3		

When two pins of a jumper are encased in a jumper cap, this jumper is **closed**, i.e. turned **On**.

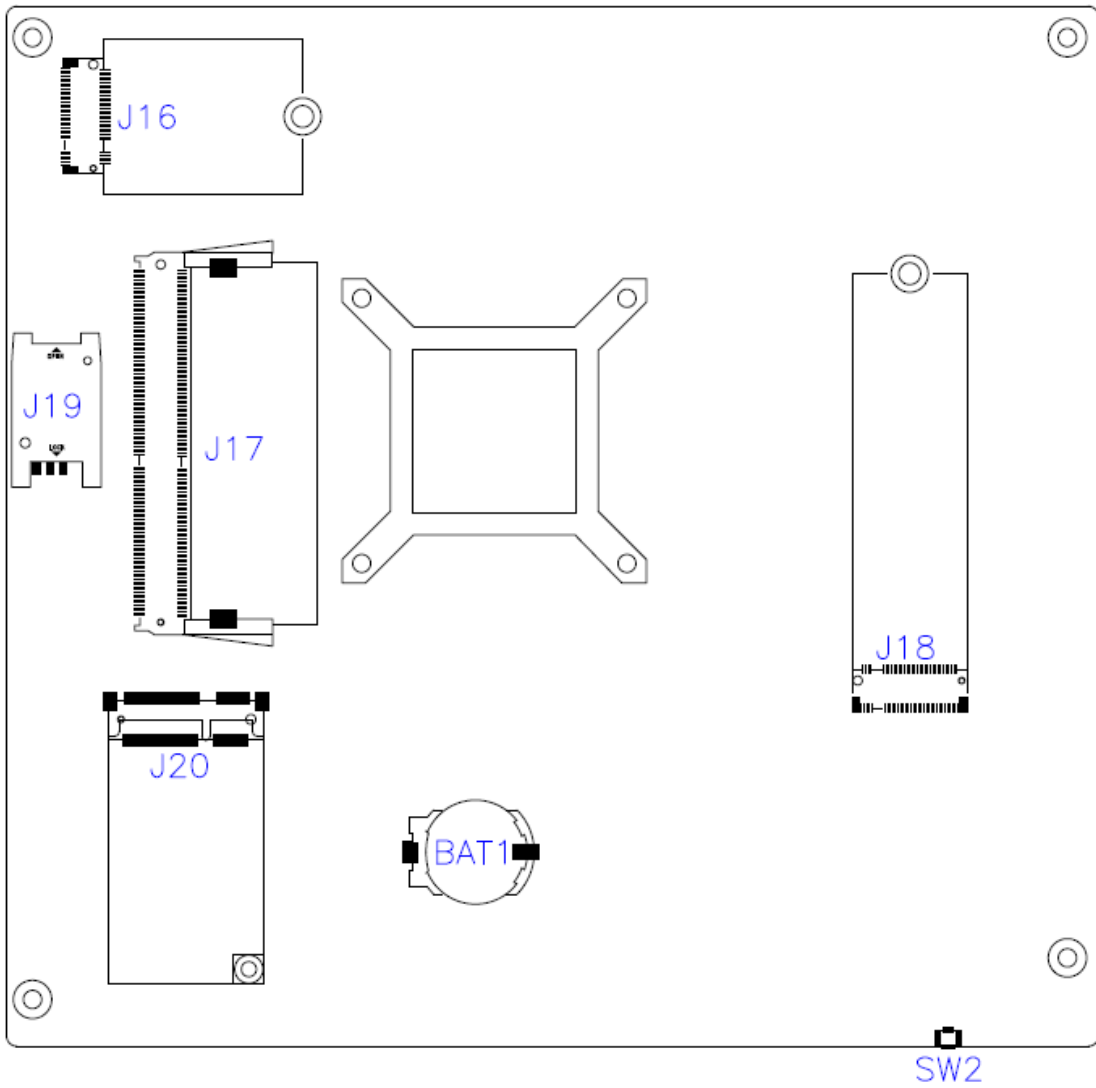
When a jumper cap is removed from two jumper pins, this jumper is **open**, i.e. turned **Off**.

2.3 Jumper & Connector Locations on Motherboard

Motherboard: MBD623



MBD623 – top view



MBD623 – bottom view

2.4 Jumper & Connectors Quick Reference

Jumper:

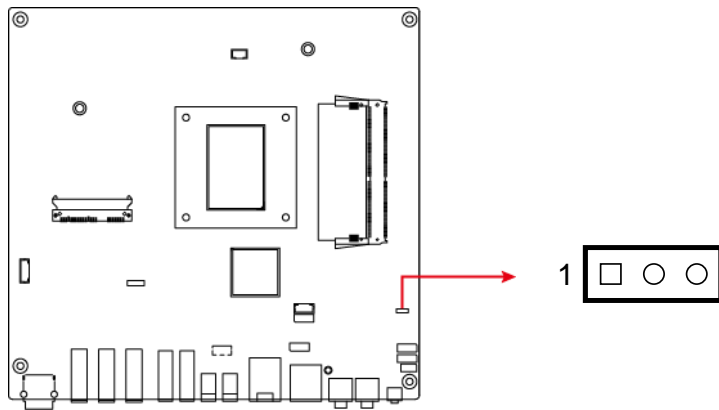
Function	Connector Name	Page
Clearing CMOS Data	JP7	19

Connectors:

Function	Connector Name	Page
CPU Fan Power	J3:	20
USB 2.0 Ports Header	J12	21
COM2 RS-232 Port	J10	20
System Function	J14	22
Digital I/O Header	J13	22
NGFF M.2 B3042 Slot	J16	--
NGFF M.2 M2280 Slot	J18	--
SIM Card Socket	J19	--
Mini-PCIe Slot	J20	--
DDR4 SO-DIMM Slot	J2, J17	--
SSD SATA Connector	J21	--
DC Power Input	CN12	19
EDID Button*	SW2	--
HDMI 2.0 Port	CN1	--
HDMI 1.4 Port	CN2, CN3	--
USB 3.0 Port	CN4, CN5	--
USB 2.0 Port	CN8, CN9	--
GbE LAN Port	CN6	--
COM1 RS-232 Port	CN7	--
Audio Jack	CN10 (Line-In), CN11 (Mic-In)	--
Power Button	SW1	--
LED Indicators	LED5 (for HDD), LED6 (for power status)	--
Factory Use Only	J4, J7, J8, J9, J11	--

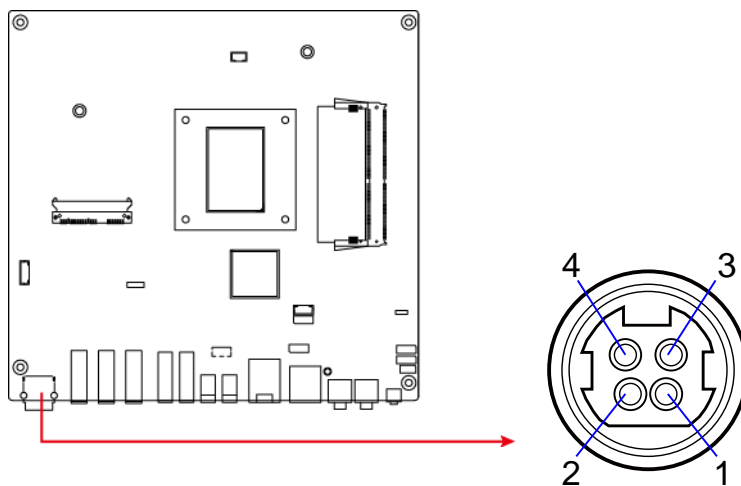
* Be sure to press the EDID Button to acquire or change the EDID data when the connected display/monitor cannot be recognized, or the displayed image does not fit the screen.

2.4.1 Clearing CMOS Data (JP7)



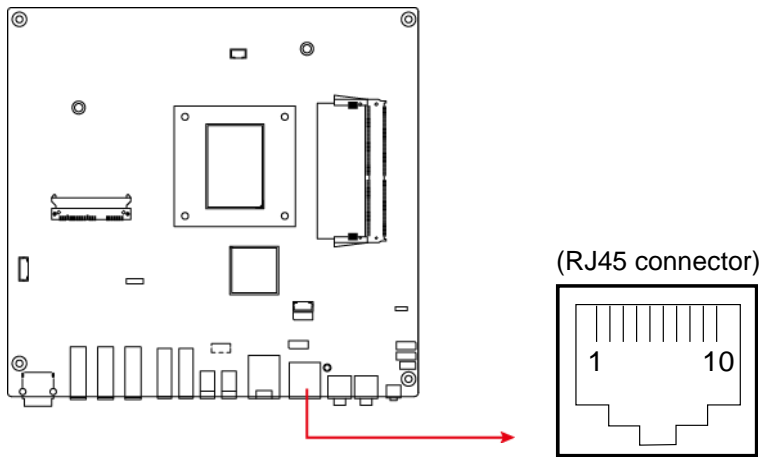
Function	Pin closed	Illustration
Normal (default)	1-2	1
Clear CMOS	2-3	1

2.4.2 DC Power Input (CN12)



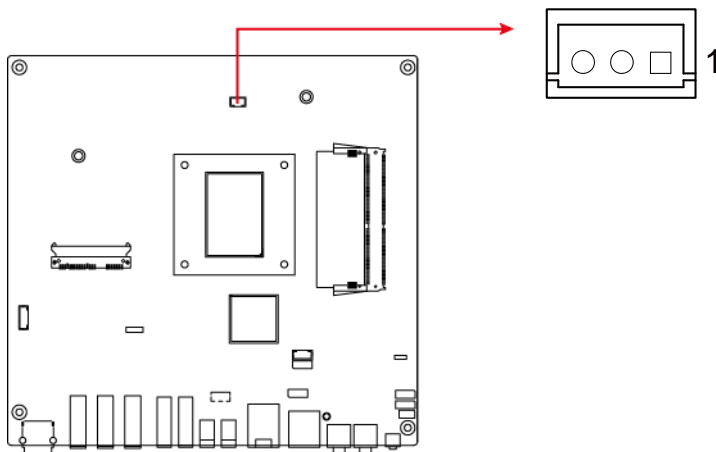
Pin	Signal	Pin	Signal
1	Ground	3	+12V
2	Ground	4	+12V

2.4.3 COM1 RS-232 Port (CN7)



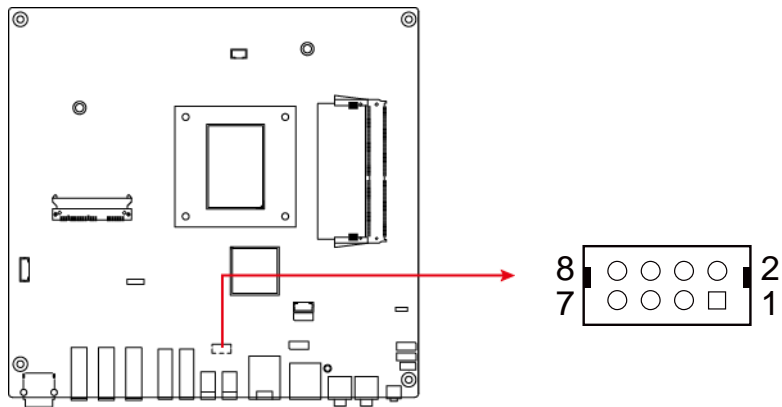
Pin	Signal Name	Pin	Signal Name
1	DSR (Data set ready)	6	DCD (Data carrier detect)
2	Ground	7	DTR (Data terminal ready)
3	Ground	8	CTS (Clear to send)
4	TX (Transmit)	9	RTS (Request to send)
5	RX (Receive)	10	RI (Ring indicator)

2.4.4 CPU Fan Power Connector (J3)



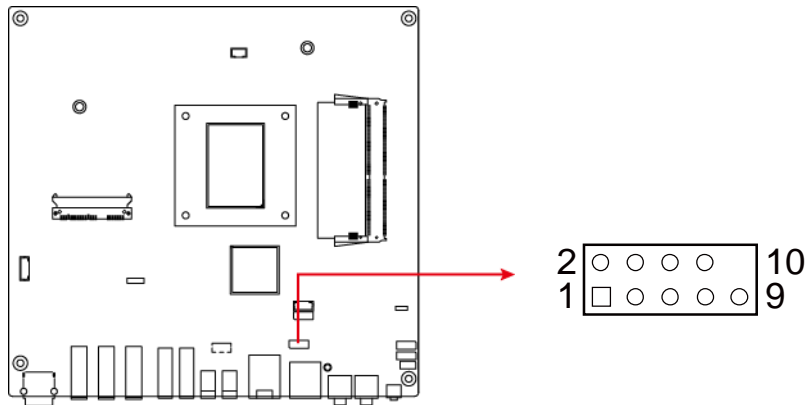
Pin	Signal Name	Pin	Signal Name
1	Ground	3	Rotation detection
2	+12V		

2.4.5 USB 2.0 Ports Header (J12)



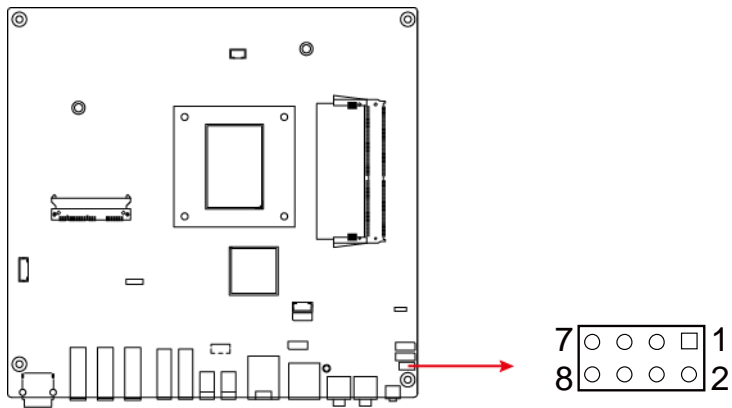
Pin	Signal Name	Pin	Signal Name
1	+5V	2	+5V
3	Data-	4	Data-
5	Data+	6	Data+
7	Ground	8	Ground

2.4.6 COM2 RS-232 Port (J10)



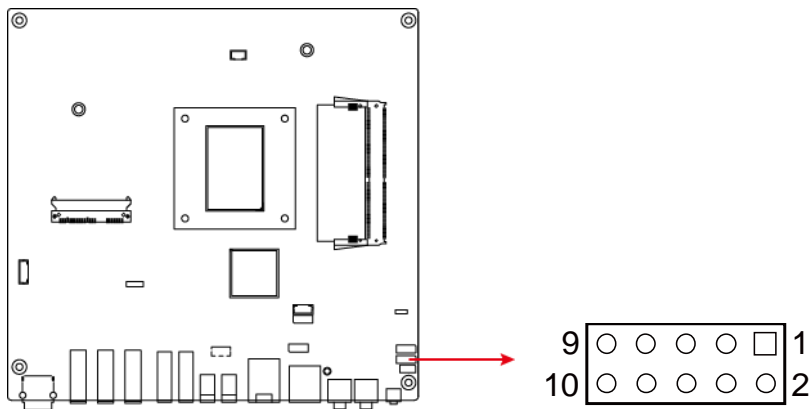
Pin	Signal Name	Pin	Signal Name
1	DCD (Data carrier detect)	2	DSR (Data set ready)
3	RXD (Receive data)	4	RTS (Request to send)
5	TXD (Transmit data)	6	CTS (Clear to send)
7	DTR (Data terminal ready)	8	RI (Ring indicator)
9	Ground		

2.4.7 System Function Connector (J14)



Pin	Signal Name	Pin	Signal Name
1	Power BTN	2	Power BTN
3	HDD LED+	4	HDD LED-
5	Reset BTN	6	Reset BTN
7	+5V	8	+5VSB

2.4.8 Digital I/O Connector (J13)



Pin	Signal Name	Pin	Signal Name
1	Ground	2	+5V
3	OUT3	4	OUT1
5	OUT2	6	OUT0
7	IN3	8	IN1
9	IN2	10	IN0

Chapter 3

Driver Installation

The information provided in this chapter includes:

- Intel® Chipset Software Installation Utility
- Intel® HD Graphics Drivers
- HD Audio Drivers
- LAN Network Drivers
- Intel® Management Engine Components Drivers

3.1 Introduction

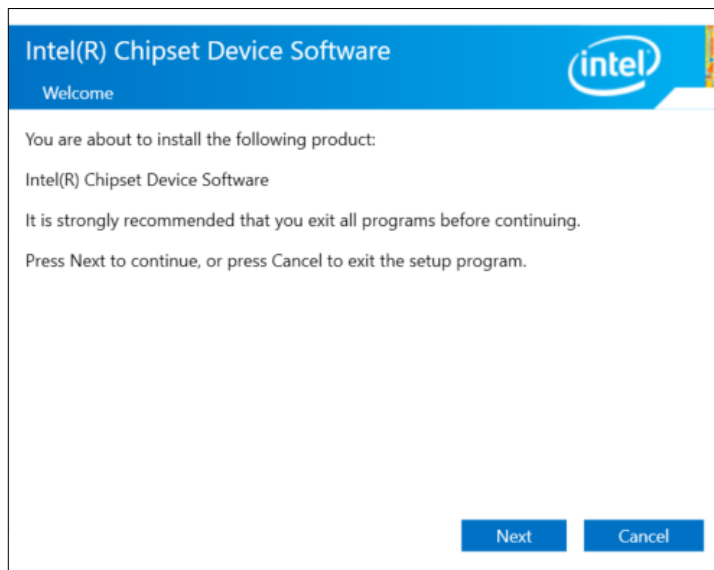
This section describes the installation procedures for software drivers. The software drivers are available on IBASE website www.ibase.com.tw. Register as a member on our website to download all the necessary drivers.

Note: After installing your Windows operating system, you must install the Intel® Chipset Software Installation Utility first before proceeding with the drivers installation.

3.2 Intel® Chipset Software Installation Utility

The Intel® Chipset drivers should be installed first before the software drivers to install INF files for Plug & Play function for the chipset components. Follow the instructions below to complete the installation.

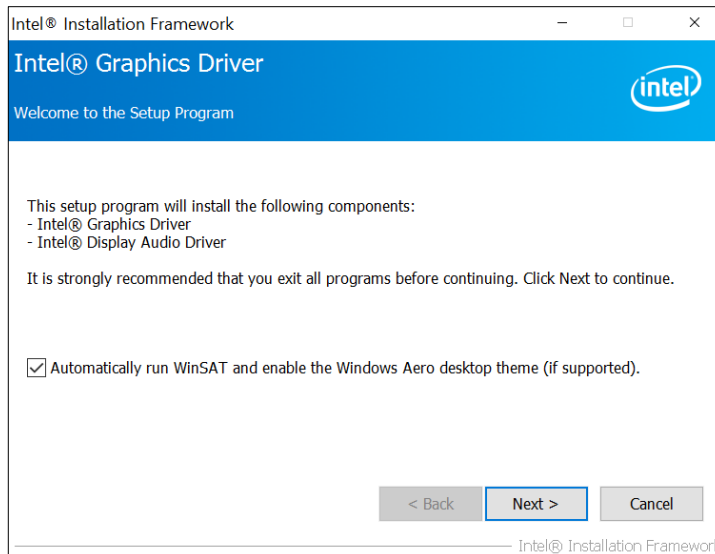
1. Run the **Setup.exe** file.
2. When the *Welcome* screen to the Intel® Chipset Device Software appears, click **Next** to continue.



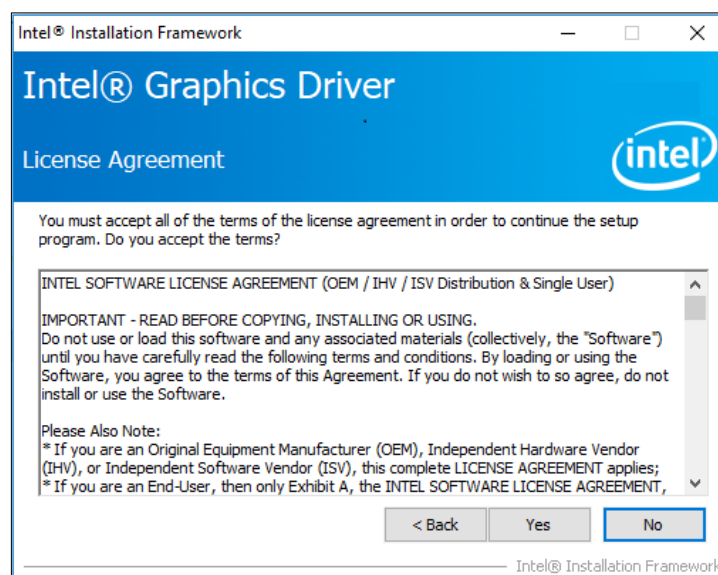
3. Accept the license agreement and proceed with the installation process.
4. On the *Readme File Information* screen, click **Install**.
5. Installation is now complete. Restart the system for changes to take effect.

3.3 Intel® Graphics Driver Installation

1. Run the **Setup.exe** file.
2. When the *Welcome* screen appears, click **Next** to continue.



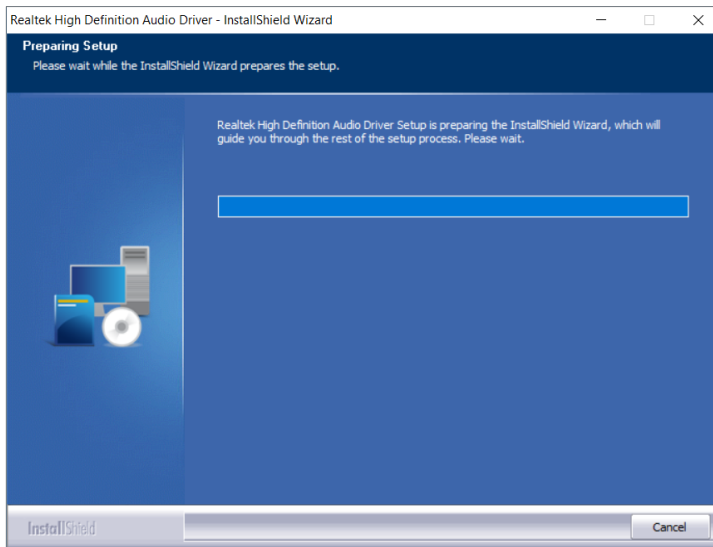
3. Click **Yes** to agree with the license agreement and continue the installation.



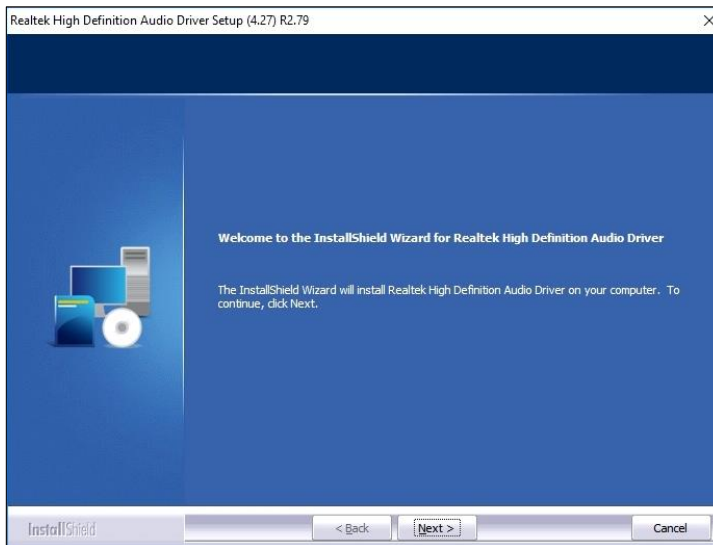
4. On the *Readme File Information* and *Setup Progress* screen, click **Next** until the installation starts.
5. Installation is now complete. Restart the system for changes to take effect.

3.4 HD Audio Driver Installation

1. Run the **Setup.exe** file and the wizard starts.



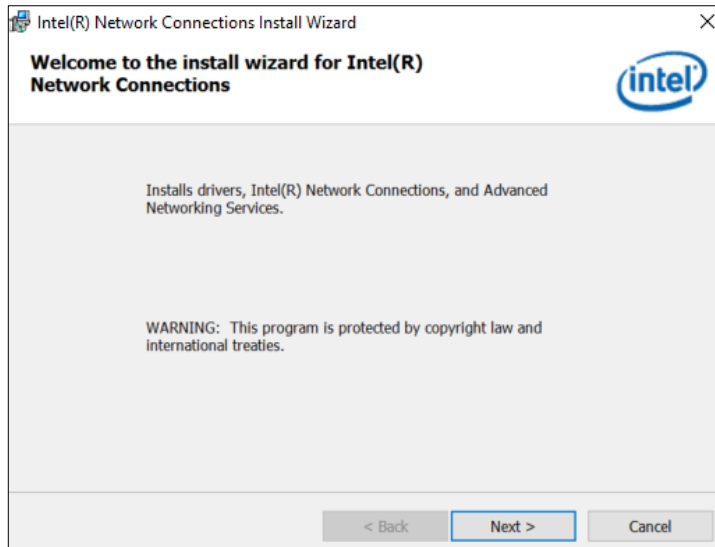
2. On the *Welcome* screen of the InstallShield Wizard, click **Next** to start installing the audio driver on your system.



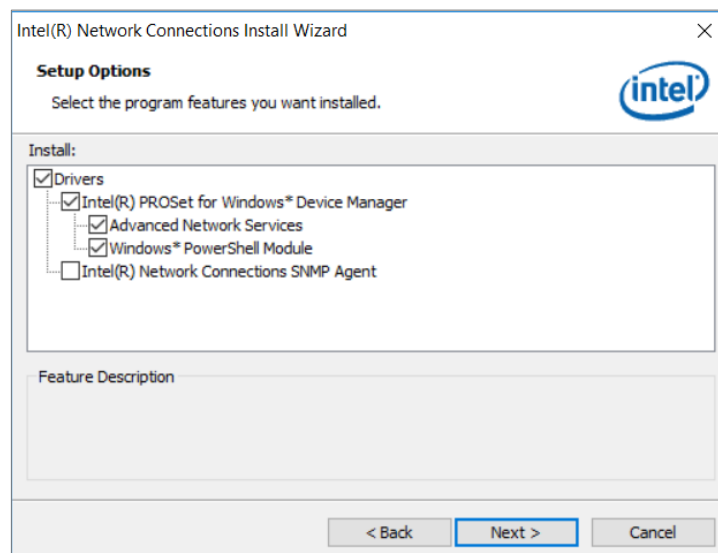
3. Installation is now complete. Restart the system for changes to take effect.

3.5 LAN Driver Installation

1. Run the **Setup.exe** file.
2. On the *Welcome* screen of the InstallShield Wizard, click **Next** to continue.



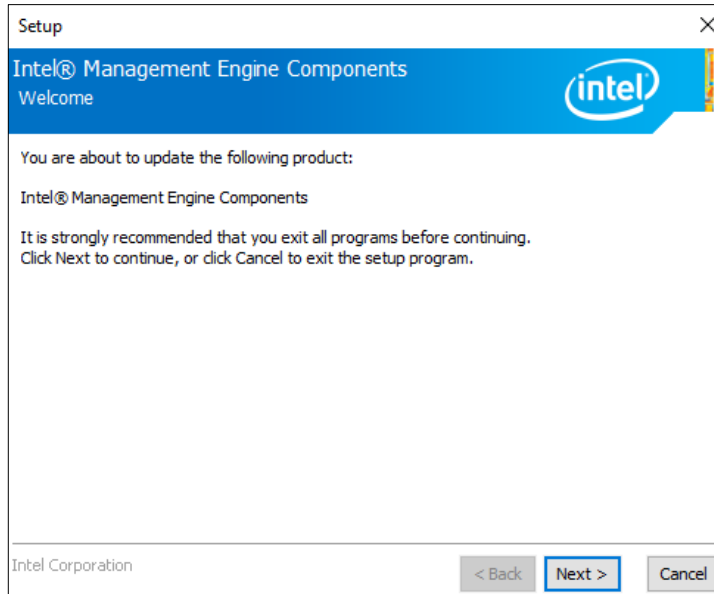
3. Accept the license agreement and click **Next**.
4. On the *Setup Options* screen, tick the checkbox to select the desired driver(s) and click **Next**.



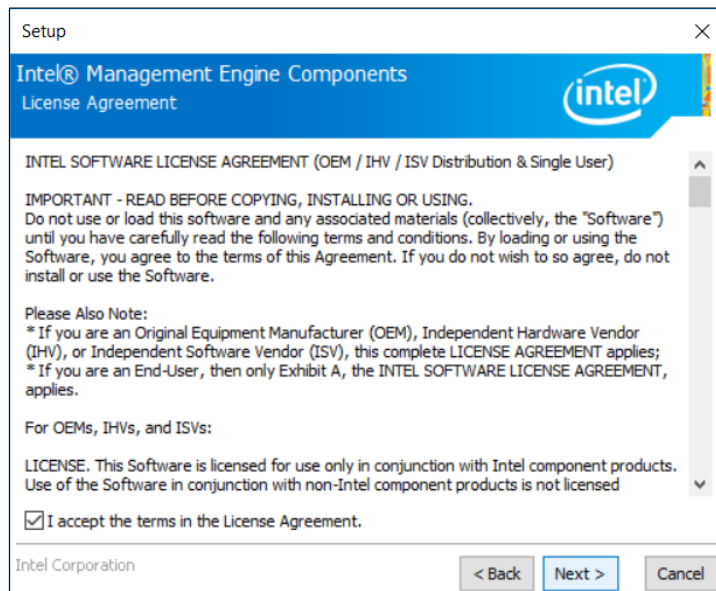
5. Click **Install**.
6. Installation is now complete. Restart the system for changes to take effect.

3.6 Intel® Management Engine Components Drivers Installation

1. Run the **Setup.exe** file.
2. When the *Welcome* screen appears, click **Next**.



3. Accept the license agreement and click **Next** for installation.



4. Installation is now complete. Restart the system for changes to take effect.

Chapter 4

BIOS Setup

This chapter describes the different settings available in the AMI BIOS that comes with the board. The topics covered in this chapter are as follows:

- Main Settings
- Advanced Settings
- Chipset Settings
- Security Settings
- Boot Settings
- Save & Exit

4.1 Introduction

The BIOS (Basic Input/Output System) installed in the ROM of your computer system supports Intel® processors. The BIOS provides critical low-level support for standard devices such as disk drives, serial ports and parallel ports. It also provides password protection as well as special support for detailed fine-tuning of the chipset controlling the entire system.

4.2 BIOS Setup

The BIOS provides a Setup utility program for specifying the system configurations and settings. The BIOS ROM of the system stores the Setup utility. When you turn on the computer, the BIOS is immediately activated. Press the key immediately allows you to enter the Setup utility. If you are a little bit late pressing the key, POST (Power On Self Test) will continue with its test routines, thus preventing you from invoking the Setup.

If you still need to enter Setup, restart the system by pressing the "Reset" button or simultaneously pressing the <Ctrl>, <Alt> and <Delete> keys. You can also restart by turning the system Off and back On again.

The following message will appear on the screen:

```
Press <DEL> to Enter Setup
```

In general, press the arrow keys to highlight items, <Enter> to select, the <PgUp> and <PgDn> keys to change entries, <F1> for help, and <Esc> to quit.

When you enter the BIOS Setup utility, the *Main Menu* screen will appear on the screen. The Main Menu allows you to select from various setup functions and exit choices.

Warning: It is strongly recommended that you avoid making any changes to the chipset defaults.

These defaults have been carefully chosen by both AMI and your system manufacturer to provide the absolute maximum performance and reliability. Changing the defaults could make the system unstable and crash in some cases.

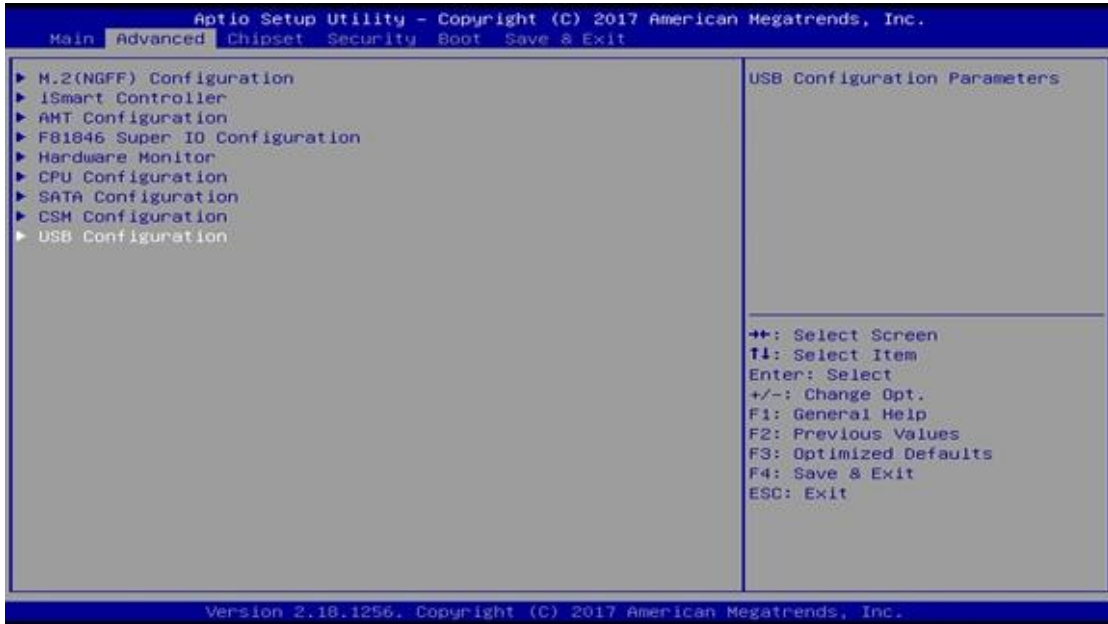
4.3 Main Settings



BIOS Setting	Description
System Language	Choose the system default language.
System Date	Sets the date. Use the <Tab> key to switch between the data elements.
System Time	Set the time. Use the <Tab> key to switch between the data elements.

4.4 Advanced Settings

This section allows you to configure, improve your system and allows you to set up some system features according to your preference.

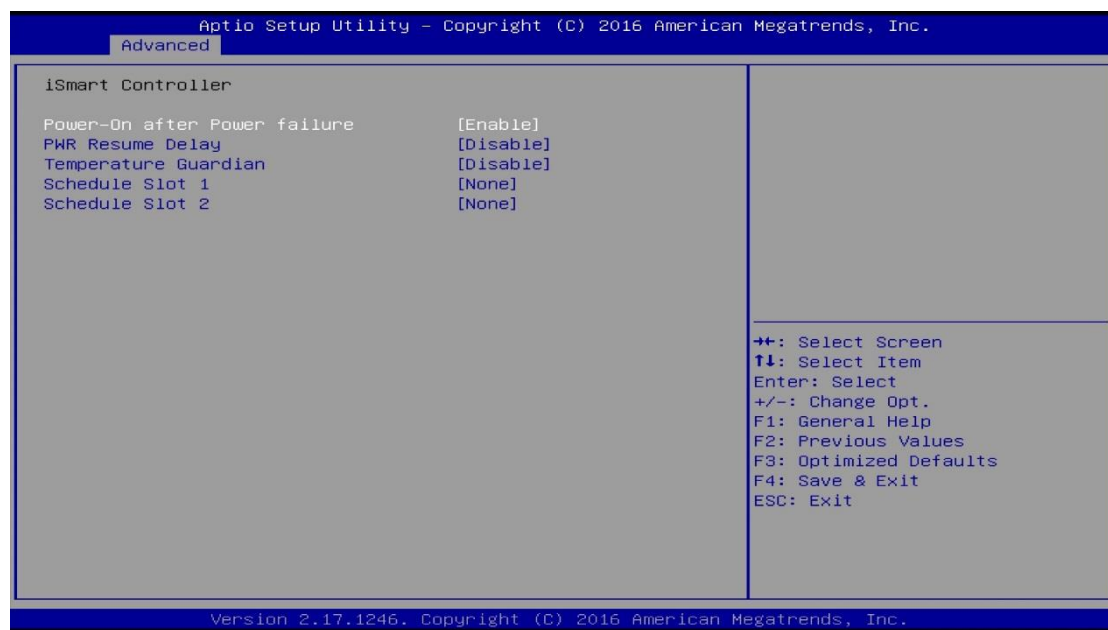


4.4.1 M.2 (NGFF) Configuration



BIOS Setting	Description
M.2 (NGFF) B-Key	Configures M.2 (NGFF) B-Key function.

4.4.2 iSmart Controller



BIOS Setting	Description
Power-On after Power failure	Enables / Disables the system to be turned on automatically after a power failure.
Temperature Guardian	Generate the reset signal when system hands up on POST.
Schedule Slot 1 / 2	<p>Sets up the hour / minute for system powe-on.</p> <p>Important: If you would like to set up a schedule between adjacent days, configure two schedule slots.</p> <p>For example, if setting up a schedule from Wednesday 5 p.m. to Thursday 2 a.m., configure two schedule slots. But if setting up a schedule from 3 p.m to 5 p.m. on Wednesday, configure only a schedule slot.</p>

4.4.3 AMT Configuration



BIOS Setting	Description
Intel AMT	<p>Enables / Disables Intel(R) Active Management Technology BIOS Extension.</p> <p>Note: iAMT H/W is always enabled. This option just controls the BIOS extension execution. If enabled, additional firmware in the SPI device are required.</p>

4.4.4 F81846 Super IO Configuration



BIOS Setting	Description
Serial Port Configuration	Sets parameters of Serial Ports (COMA). Enables / Disables the serial port and select an optimal setting for the Super IO device.

4.4.4.1. Serial Port 1 Configuration



BIOS Setting	Description
Serial Port	Sets parameters of Serial Ports (COMA).

4.4.4.2. Serial Port 2 Configuration



BIOS Setting	Description
Serial Port	Sets parameters of Serial Ports (COMA).
Change Settings	<p>Selects an optimal settings for Super I/O device.</p> <p>Options:</p> <ul style="list-style-type: none"> • Auto • IO = 2F8h; IRQ = 3 • IO = 3F8h; IRQ = 3, 4, 5, 6, 7, 9, 10, 11, 12 • IO = 2F8h; IRQ = 3, 4, 5, 6, 7, 9, 10, 11, 12 • IO = 3E8h; IRQ = 3, 4, 5, 6, 7, 9, 10, 11, 12 • IO = 2E8h; IRQ = 3, 4, 5, 6, 7, 9, 10, 11, 12

4.4.4.3. Serial Port 3 Configuration



BIOS Setting	Description
Serial Port	Sets parameters of Serial Ports (COMA).
Change Settings	<p>Selects an optimal settings for Super I/O device.</p> <p>Options:</p> <ul style="list-style-type: none"> • Auto • IO = 3E8h; IRQ = 5 • IO = 3E8h; IRQ = 3, 4, 5, 6, 7, 9, 10, 11, 12 • IO = 2E8h; IRQ = 3, 4, 5, 6, 7, 9, 10, 11, 12 • IO = 2F0h; IRQ = 3, 4, 5, 6, 7, 9, 10, 11, 12 • IO = 2E0h; IRQ = 3, 4, 5, 6, 7, 9, 10, 11, 12

4.4.5 Hardware Monitor



BIOS Setting	Description
Smart Fan 1 Function	Selects the smart fan mode.
ACPI Shutdown Temperature	This field enables or disables the Shutdown Temperature
Temperatures / Voltages	These fields are the parameters of the hardware monitoring function feature of the motherboard. The values are read-only values as monitored by the system and show the PC health status.

4.4.6 CPU Configuration



BIOS Setting	Description
Intel Virtualization Technology	When the function is enabled, a VMM can utilize the additional hardware capabilities provided by Vanderpool Technology.

4.4.7 SATA Configuration



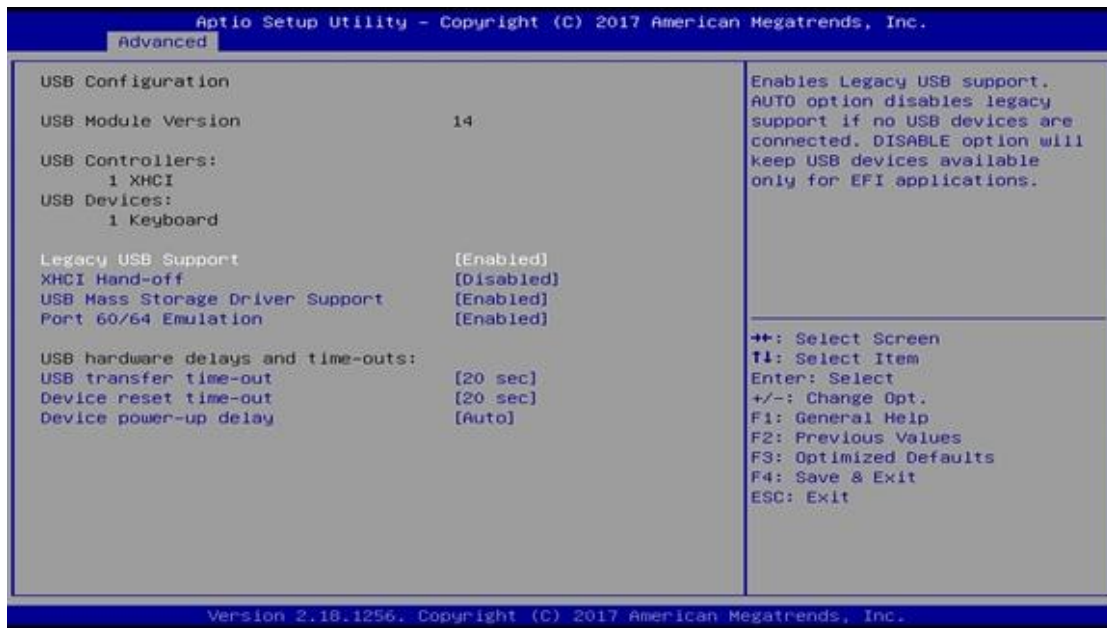
BIOS Setting	Description
SATA Controller(s)	Enables / Disables SATA devices.
SATA Mode Selection	Determines how the SATA controller(s) operate. Options: AHCI Mode, RAID Mode
Serial ATA Ports	Enables / Disables Serial Ports.
Hot Plug	Designates this port as Hot Pluggable.

4.4.8 CSM Configuration



BIOS Setting	Description
CSM Support	Enables or disables CSM support.

4.4.9 USB Configuration



BIOS Setting	Description
Legacy USB Support	<ul style="list-style-type: none"> • Enable: Enables Legacy USB Support. • Auto: Disables legacy support if no USB devices are connected. • Disable: Keeps USB devices available only for EFI applications.
XHCI Hand-off	This is a workaround for OSES without XHCI / EHCI hand-off support. The XHCI ownership change should be claimed by XHCI driver.
USB Mass Storage Driver Support	Enables / Disables the support for USB mass storage driver.
Port 60/64 Emulation	Enables I/O port 60h/64h emulation support. This should be enabled for the complete USB keyboard legacy support for non-USB aware OSES.
USB Transfer time-out	The time-out value for Control, Bulk, and Interrupt transfers.
Device reset time-out	Seconds of delaying execution of start unit command to USB mass storage device.
Device power-up delay	The maximum time the device will take before it properly reports itself to the Host Controller. "Auto" uses default value for a Root port it is 100ms. But for a Hub port, the delay is taken from Hub descriptor.

4.5 Chipset Settings



BIOS Setting	Description
System Agent (SA) Configuration	System Agent parameters
PCH-IO Configuration	PCH parameters

4.5.1 System Agent Bridge Name



4.5.2 PCH-IO Configuration



BIOS Setting	Description
PCI Express Configuration	PCI Express configuration settings

4.6 Security Settings



BIOS Setting	Description
Administrator Password	Sets an administrator password for the setup utility.
User Password	Sets a user password.

4.7 Boot Settings



BIOS Setting	Description
Setup Prompt Timeout	Number of seconds to wait for setup activation key. 65535 (0xFFFF) means indefinite waiting.
Bootup NumLock State	Selects the keyboard NumLock state.
Quiet Boot	Enables / Disables Quiet Boot option.
Fast Boot	Enables / Disables boot with initialization of a minimal set of devices required to launch the active boot option. There no effect for BBS boot options.
New Boot Option Policy	Specifies the Boot device priority sequence from available hard disk drives.
Boot Mode Select	Selects a Boot mode.
Fixed Boot Order Priorities	Sets the system boot order.
Boot Option Priorities	Sets the system boot order priorities for hard disk, CD/DVD, USB, Network.

4.8 Save & Exit Settings



BIOS Setting	Description
Save Changes and Exit	Exits system setup after saving the changes.
Discard Changes and Exit	Exits system setup without saving any changes.
Save Changes and Reset	Resets the system after saving the changes.
Discard Changes and Reset	Resets system setup without saving any changes.
Save Changes	Saves changes done so far to any of the setup options.
Discard Changes	Discards changes done so far to any of the setup options.
Restore Defaults	Restores / Loads defaults values for all the setup options.
Save as User Defaults	Saves the changes done so far as user defaults.
Restore User Defaults	Restores the user defaults to all the setup options.

Appendix

This section provides the mapping addresses of peripheral devices and the sample code of watchdog timer configuration.

- I/O Port Address Map
- Interrupt Request Lines (IRQ)
- Digital I/O Sample Code
- Watchdog Timer Configuration

A. I/O Port Address Map

Each peripheral device in the system is assigned a set of I/O port addresses which also becomes the identity of the device. The following table lists the I/O port addresses used.

Address	Device Description
0x00000A00-0x00000A0F	Motherboard resources
0x00000A10-0x00000A1F	Motherboard resources
0x00000A20-0x00000A2F	Motherboard resources
0x0000002E-0x0000002F	Motherboard resources
0x0000004E-0x0000004F	Motherboard resources
0x00000061-0x00000061	Motherboard resources
0x00000063-0x00000063	Motherboard resources
0x00000065-0x00000065	Motherboard resources
0x00000067-0x00000067	Motherboard resources
0x00000070-0x00000070	Motherboard resources
0x00000070-0x00000070	System CMOS/real time clock
0x00000080-0x00000080	Motherboard resources
0x00000092-0x00000092	Motherboard resources
0x000000B2-0x000000B3	Motherboard resources
0x00000680-0x0000069F	Motherboard resources
0x0000FFFF-0x0000FFFF	Motherboard resources
0x0000FFFF-0x0000FFFF	Motherboard resources
0x0000FFFF-0x0000FFFF	Motherboard resources
0x00001800-0x000018FE	Motherboard resources
0x0000164E-0x0000164F	Motherboard resources
0x00000800-0x0000087F	Motherboard resources
0x00000020-0x00000021	Programmable interrupt controller
0x00000024-0x00000025	Programmable interrupt controller
0x00000028-0x00000029	Programmable interrupt controller
0x0000002C-0x0000002D	Programmable interrupt controller
0x00000030-0x00000031	Programmable interrupt controller
0x00000034-0x00000035	Programmable interrupt controller

Address	Device Description
0x00000038-0x00000039	Programmable interrupt controller
0x0000003C-0x0000003D	Programmable interrupt controller
0x000000A0-0x000000A1	Programmable interrupt controller
0x000000A4-0x000000A5	Programmable interrupt controller
0x000000A8-0x000000A9	Programmable interrupt controller
0x000000AC-0x000000AD	Programmable interrupt controller
0x000000B0-0x000000B1	Programmable interrupt controller
0x000000B4-0x000000B5	Programmable interrupt controller
0x000000B8-0x000000B9	Programmable interrupt controller
0x000000BC-0x000000BD	Programmable interrupt controller
0x000004D0-0x000004D1	Programmable interrupt controller
0x000003F8-0x000003FF	Communications Port (COM1)
0x000002F8-0x000002FF	Communications Port (COM2)
0x000003E8-0x000003EF	Communications Port (COM3)
0x00001854-0x00001857	Motherboard resources
0x00000000-0x00000CF7	PCI Express Root Complex
0x00000D00-0x0000FFFF	PCI Express Root Complex
0x0000F000-0x0000F03F	Intel(R) HD Graphics 530
0x000003B0-0x000003BB	Intel(R) HD Graphics 530
0x000003C0-0x000003DF	Intel(R) HD Graphics 530
0x000000F0-0x000000F0	Numeric data processor
0x0000FF00-0x0000FFFE	Motherboard resources
0x0000F040-0x0000F05F	Intel(R) 100 Series/C230 Series Chipset Family SMBus - A123
0x00000060-0x00000060	Standard PS/2 Keyboard
0x00000064-0x00000064	Standard PS/2 Keyboard
0x00000040-0x00000043	System timer
0x00000050-0x00000053	System timer
0x0000F090-0x0000F097	Standard SATA AHCI Controller
0x0000F080-0x0000F083	Standard SATA AHCI Controller
0x0000F060-0x0000F07F	Standard SATA AHCI Controller

B. Interrupt Request Lines (IRQ)

Peripheral devices use interrupt request lines to notify CPU for the service required. The following table shows the IRQ used by the devices on board.

Level	Function
IRQ 0	System timer
IRQ 1	Standard PS/2 Keyboard
IRQ 3	Communications Port (COM2)
IRQ 4	Communications Port (COM1)
IRQ 5	Communications Port (COM3)
IRQ 8	System CMOS/real time clock
IRQ 11	PCI Device
IRQ 11	Intel(R) 100 Series/C230 Series Chipset Family SMBus - A123
IRQ 11	Intel(R) 100 Series/C230 Series Chipset Family Thermal subsystem - A131
IRQ 12	Microsoft PS/2 Mouse
IRQ 13	Numeric data processor
IRQ 14	Motherboard resources
IRQ 16	High Definition Audio Controller
IRQ 17	Qualcomm Atheros AR946x Wireless Network Adapter
IRQ 54 ~ IRQ 204	Microsoft ACPI-Compliant System
IRQ 256 ~ IRQ 511	Microsoft ACPI-Compliant System
IRQ 4294967289	Intel(R) Management Engine Interface
IRQ 4294967290	Intel(R) USB 3.0 eXtensible Host Controller - 1.0 (Microsoft)
IRQ 4294967291	Intel(R) HD Graphics 530
IRQ 4294967292	Intel(R) Ethernet Connection (2) I219-V
IRQ 4294967293	Standard SATA AHCI Controller
IRQ 4294967294	Intel(R) 100 Series/C230 Series Chipset Family PCI Express Root Port #6 - A115

C. Watchdog Timer Configuration

The Watchdog Timer (WDT) is used to generate a variety of output signals after a user programmable count. The WDT is suitable for the use in the prevention of system lock-up, such as when software becomes trapped in a deadlock. Under these sorts of circumstances, the timer will count to zero and the selected outputs will be driven.

Under normal circumstance, you will need to restart the WDT at regular intervals before the timer counts to zero.

Sample Code:

```
//-----  
//  
// THIS CODE AND INFORMATION IS PROVIDED "AS IS" WITHOUT WARRANTY OF ANY  
// KIND, EITHER EXPRESSED OR IMPLIED, INCLUDING BUT NOT LIMITED TO THE  
// IMPLIED WARRANTIES OF MERCHANTABILITY AND/OR FITNESS FOR A PARTICULAR  
// PURPOSE.  
//  
//-----  
#include <dos.h>  
#include <conio.h>  
#include <stdio.h>  
#include <stdlib.h>  
#include "F81846.H"  
//-----  
int main (int argc, char *argv[]); void EnableWDT(int);  
void DisableWDT(void);  
//-----  
int main (int argc, char *argv[])  
{  
    unsigned char bBuf; unsigned char bTime; char **endptr;  
  
    char SIO;  
    printf("Fintek 81846 watch dog program\n"); SIO = Init_F81846();  
    if (SIO == 0)  
    {  
        printf("Can not detect Fintek 81846, program abort.\n"); return(1);  
    }  
    if (argc != 2)  
    {  
        printf(" Parameter incorrect!!\n"); return (1);  
    }  
  
    bTime = strtol (argv[1], endptr, 10);  
    printf("System will reset after %d seconds\n", bTime);  
  
    if (bTime)  
    {    EnableWDT(bTime); } else  
    {    DisableWDT(); } return 0;  
}
```

```

//-----
void EnableWDT(int interval)
{
unsigned char bBuf;

bBuf = Get_F81846_Reg(0x2B); bBuf &= (~0x20);
Set_F81846_Reg(0x2B, bBuf); //Enable WDTO

Set_F81846_LD(0x07); //switch to logic device 7
Set_F81846_Reg(0x30, 0x01); //enable timer

bBuf = Get_F81846_Reg(0xF5); bBuf &= (~0x0F);
bBuf |= 0x52;
Set_F81846_Reg(0xF5, bBuf); //count mode is second Set_F81846_Reg(0xF6,
interval); //set timer
bBuf = Get_F81846_Reg(0xFA); bBuf |= 0x01;
Set_F81846_Reg(0xFA, bBuf); //enable WDTO output

bBuf = Get_F81846_Reg(0xF5); bBuf |= 0x20;
Set_F81846_Reg(0xF5, bBuf); //start counting
}
//-----
void DisableWDT(void)
{
unsigned char bBuf;
Set_F81846_LD(0x07); //switch to logic device 7 bBuf = Get_F81846_Reg(0xFA);
bBuf &= ~0x01;
Set_F81846_Reg(0xFA, bBuf); //disable WDTO output

bBuf = Get_F81846_Reg(0xF5); bBuf &= ~0x20;
bBuf |= 0x40;
Set_F81846_Reg(0xF5, bBuf); //disable WDT
}
//-----

```

```
//-----  
//  
// THIS CODE AND INFORMATION IS PROVIDED "AS IS" WITHOUT WARRANTY OF ANY  
// KIND, EITHER EXPRESSED OR IMPLIED, INCLUDING BUT NOT LIMITED TO THE  
// IMPLIED WARRANTIES OF MERCHANTABILITY AND/OR FITNESS FOR A PARTICULAR  
// PURPOSE.  
//  
//-----  
#include "F81846.H"  
#include <dos.h>  
//-----  
unsigned int F81846_BASE; void Unlock_F81846 (void); void Lock_F81846 (void);  
//-----  
unsigned int Init_F81846(void)  
{  
    unsigned int result; unsigned char ucDid;  
  
    F81846_BASE = 0x4E;  
    result = F81846_BASE;  
  
    ucDid = Get_F81846_Reg(0x20);  
    if (ucDid == 0x07)    //Fintek 81846  
    {    goto Init_Finish; }  
  
    F81846_BASE = 0x2E;  
    result = F81846_BASE;  
  
    ucDid = Get_F81846_Reg(0x20);  
    if (ucDid == 0x07)    //Fintek 81846  
    {    goto Init_Finish; }  
  
    F81846_BASE = 0x00;  
    result = F81846_BASE;  
  
    Init_Finish:  
    return (result);  
}  
//-----  
void Unlock_F81846 (void)  
{  
    outportb(F81846_INDEX_PORT, F81846_UNLOCK); outportb(F81846_INDEX_PORT,  
    F81846_UNLOCK);  
}  
//-----  
void Lock_F81846 (void)  
{  
    outportb(F81846_INDEX_PORT, F81846_LOCK);  
}  
//-----  
void Set_F81846_LD( unsigned char LD)  
{  
    Unlock_F81846();  
    outportb(F81846_INDEX_PORT, F81846_REG_LD);  
    outportb(F81846_DATA_PORT, LD); Lock_F81846();  
}
```

```

}
//-----
void Set_F81846_Reg( unsigned char REG, unsigned char DATA)
{
Unlock_F81846(); outportb(F81846_INDEX_PORT, REG); outportb(F81846_DATA_PORT,
DATA); Lock_F81846();
}
//-----
unsigned char Get_F81846_Reg(unsigned char REG)
{
unsigned char Result; Unlock_F81846();
outportb(F81846_INDEX_PORT, REG); Result = inportb(F81846_DATA_PORT);
Lock_F81846();
return Result;
}
//-----

//-----
//
// THIS CODE AND INFORMATION IS PROVIDED "AS IS" WITHOUT WARRANTY OF ANY
// KIND, EITHER EXPRESSED OR IMPLIED, INCLUDING BUT NOT LIMITED TO THE
// IMPLIED WARRANTIES OF MERCHANTABILITY AND/OR FITNESS FOR A PARTICULAR
// PURPOSE.
//
//-----
#ifndef F81846_H
#define F81846_H 1
//-----
#define F81846_INDEX_PORT (F81846_BASE)
#define F81846_DATA_PORT (F81846_BASE+1)
//-----
#define F81846_REG_LD 0x07
//-----
#define F81846_UNLOCK 0x87
#define F81846_LOCK 0xAA
//-----
unsigned int Init_F81846(void);
void Set_F81846_LD( unsigned char);
void Set_F81846_Reg( unsigned char, unsigned char); unsigned char
Get_F81846_Reg( unsigned char);
//-----
#endif // F81846_H

```