



**DYNATRON**

The Thermal Solution Architect

*WWW.DYNATRON-CORP.COM*

## Product Spec Sheet

# A25

## Table of Contents

1. Product Description .....	3
2. Thermal Performance Curve .....	3
3. Dimension Drawing .....	4
4. RoHS Certificate.....	5

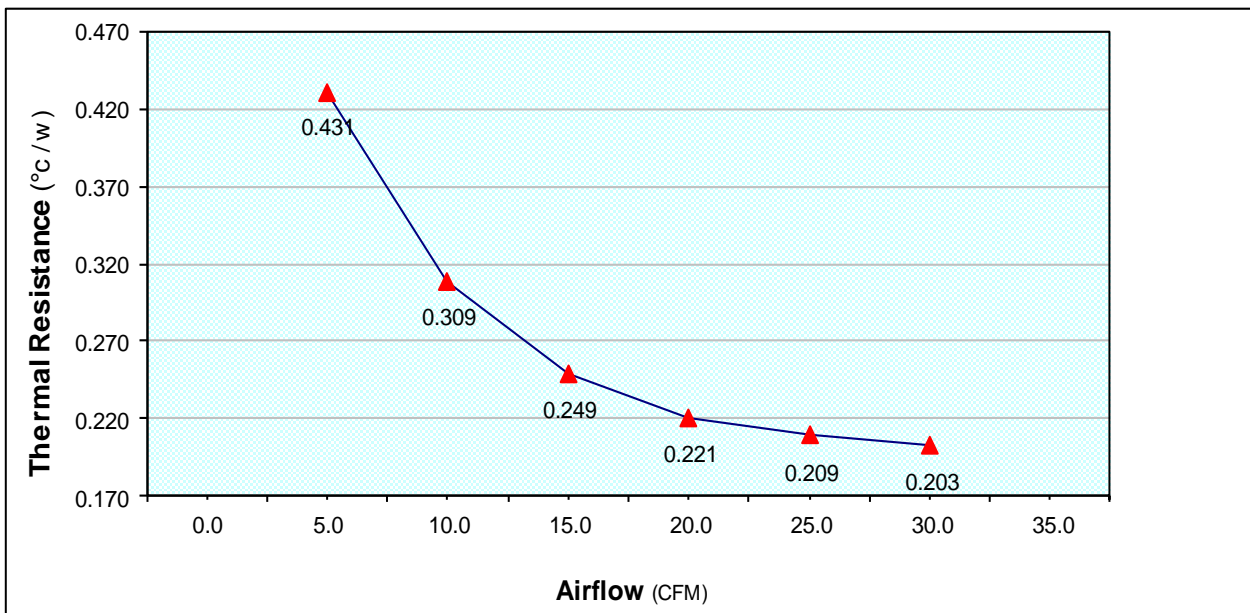
## Application :

- Recommend for AMD® EPYC, Socket SP3
- Passive Cooler for 1U Server and up

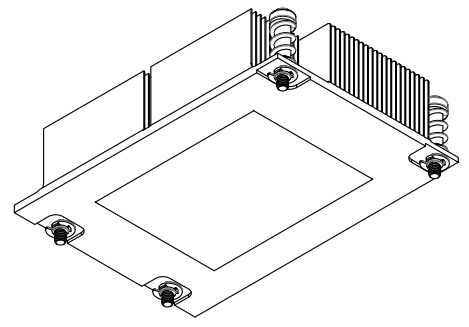
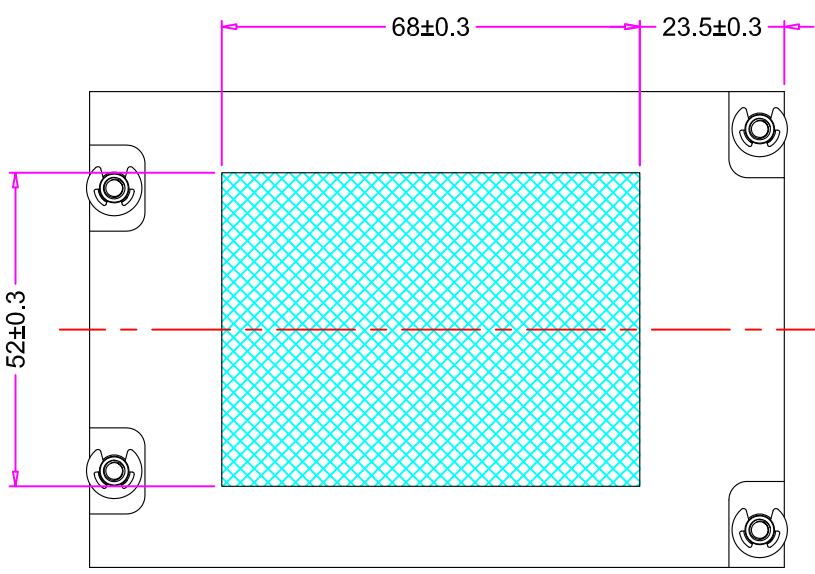
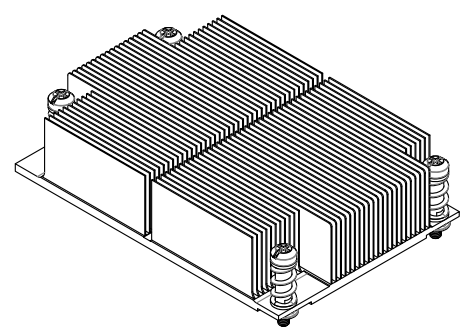
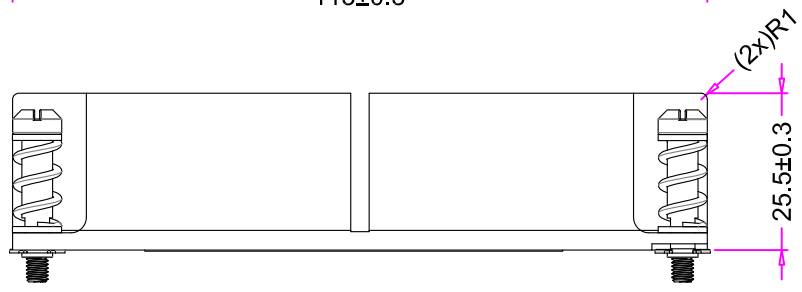
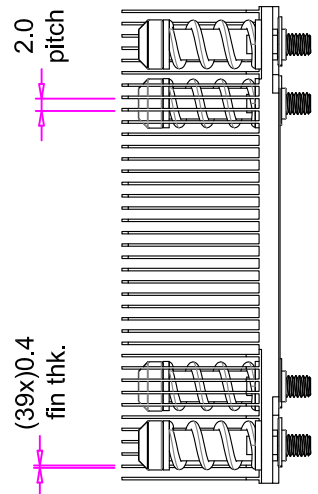
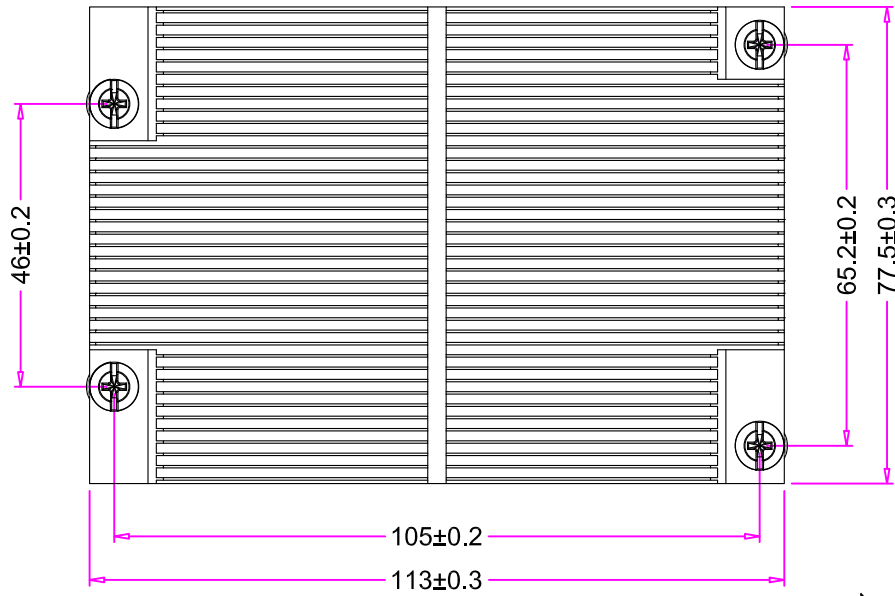
## Overall Specification :

- Dimension: 113 x 77.5 x 25.5 mm
- Weight: 450g
- Material: Copper 1100 with Skiving Fin
- Convenient Heat Sink Screw captive mounting
- Thermal Grease Shin-Etsu 7762 Pre-printed
- Support CPU power up to 120 Watts heat dissipation

## A25 Thermal Performance Curve :

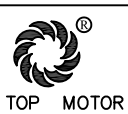


REV#	DESCRIPTION	CHECKER	DATE
0.0	INITIAL RELEASE	LANG	05/31/17
1.0	DESIGN CHANGE	LANG	07/13/17
2.0	CHANGE SCREW	LANG	07/19/17



6	C-Clip	Steel	4
5	Thermal Grease Pre-Print	Shin-Etsu 7762	1
4	Heat Slnk, Sklving Fin	Copper 1100	1
3	Washer	Steel	8
2	Spring ( 0850 )	SUS 304	4
1	Screw	Steel	4
ITEM#	DESCRIPTION	MATERIAL	QTY.

	NAME	DATE
DRAWN BY	engr	07/19/2017
CHECKED BY	LANG	07/19/2017
ENG.APPROVED		
MFG.APPROVED	-	-



DYNATRON CORPORATION

TITLE: 1U Passive Cooler **A25**  
BOM & Overall Dimension Drawing

**CONFIDENTIAL DOCUMENT**  
THIS DRAWING CONTAINS INFORMATION PROPRIETARY TO DYNATRON CORPORATION AND DYNAEON INDUSTRIAL CO., LTD. ANY REPRODUCTION, DISCLOSURE, OR USE OF THIS DRAWING IS EXPRESSLY PROHIBITED EXCEPT AS DYNATRON CORPORATION AND DYNAEON INDUSTRIAL CO., LTD. MAY OTHERWISE AGREE TO IN WRITING.

VIEW		DWG. No:
UNITS	MM	<b>DYN-BD-A25</b>

REV. **2.0**



## Certificate of Environment Protection 環保證明書

Document Number: RH\_A25-R0

<b>Customer:</b> 客戶名稱:	<b>Company:</b> _____ <b>Address:</b> _____ <b>Phone Number:</b> ____ - ____ - _____
<b>Issue Date:</b>	05/31/2017
<b>Product Model Number:</b>	A25
<p><b>Dynatron Corporation</b> hereby declares and certifies that all components manufactured are RoHS compliant according to the definitions and restrictions given by the European Union's Restriction (Directive 2002/95/EC) (Decision 2011/65/EU) RoHS 2, on the restriction of the use of certain Hazardous Substances in the electrical and electronic equipment. Also, compliance to the most recent list of substances on the REACH candidate list.</p> <p><b>Number of substances on the Candidate List: 168 (last updated: 17/12/2015)</b></p> <p>No exemptions are claimed in order for the part to be compliant with the RoHS directive.</p> <p><b>Dynatron Corporation / 政久興業股份有限公司</b> 證明所有產品, 零件 (包括附屬品, 包裝類) 之環境管理物質完全符合 RoHS, WEEE, 及該環保標準之規定, 並承諾遵循以上之證明。</p>	
<p><b>Dynatron Corporation.</b>          33200 Western Ave,          Union City, CA 94587  <a href="http://www.Dynatron-corp.com">www.Dynatron-corp.com</a></p>	
<p style="text-align: center;">Title (職務): _____ ASSISTANT-MANAGER _____</p>	
<p>Signature (簽字): _____</p>	<p>Date: 05 / 31 / 2017</p>

