



DYNATRON

The Thermal Solution Architect

WWW.DYNATRON.CO

Product Spec Sheet

B1

Table of Contents

1. Product Description	3
2. Thermal Performance Curve	3
3. DM Drawing	4
4. EP Drawing	5
5. RoHS Certificate.....	6

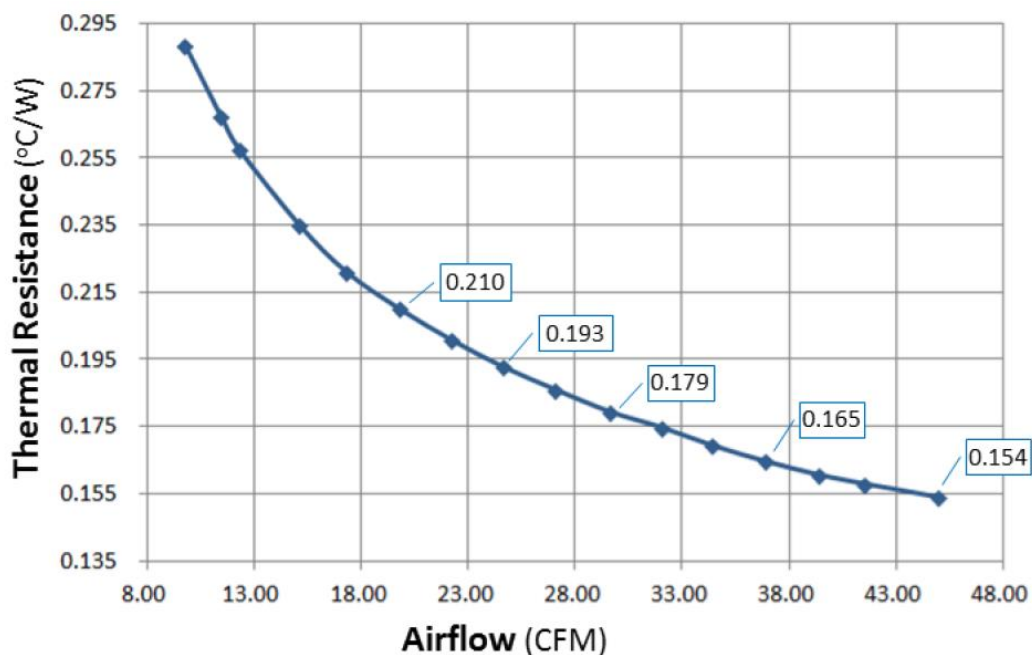
Application :

- Recommend for Intel® Xeon® Platinum / Gold Family Processor (Products formerly Skylake), Socket FCLGA3647
- **For Narrow ILM Only**
- Passive Cooler for 1U Server and up

Overall Specification :

- Dimension: 107 x 78 x 27 mm
- Weight: 600g
- Material: Copper 1100 with Skiving Fin
- Convenient Heat Sink Screw captive mounting
- Thermal Grease Shin-Etsu 7762 Pre-printed
- Support CPU power up to 165 Watts heat dissipation
- Includes both Fabric and Non-Fabric Package Carriers

Thermal Performance Curve :

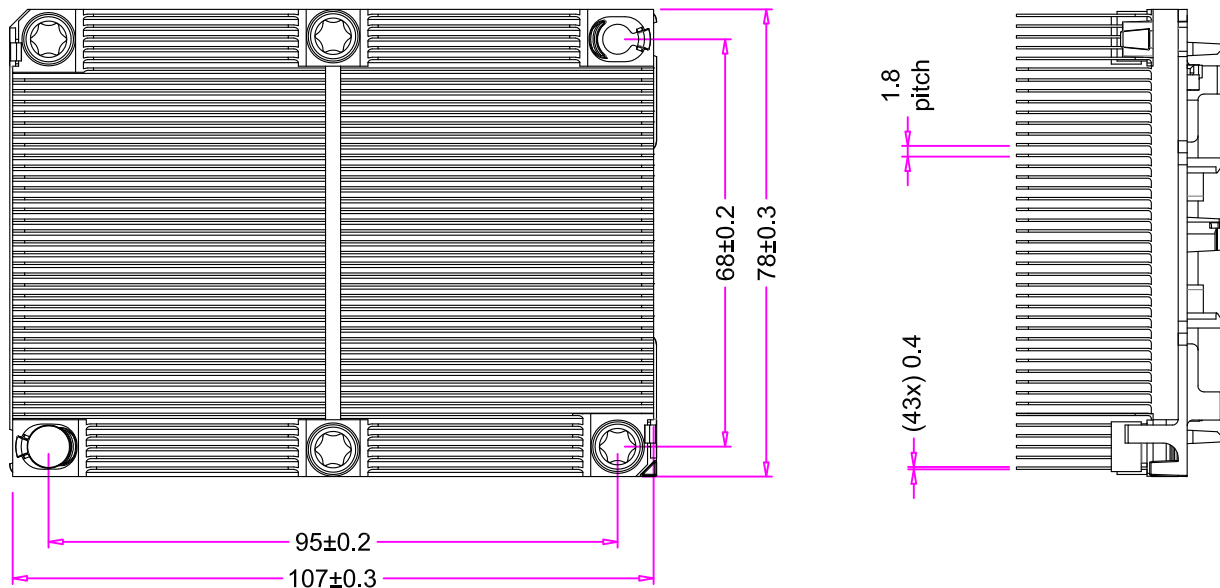


1 2 3 4 5 6 7

REV#	DESCRIPTION	CHECKER	DATE
0.0	INITIAL RELEASE	LANG	02/11/16
1.0	DIMENSION UPDATE, B-5	LANG	01/25/17
2.0	WIDTH DIMENSION CHANGED TO 78mm, B-5	LANG	03/23/17

A

A



B

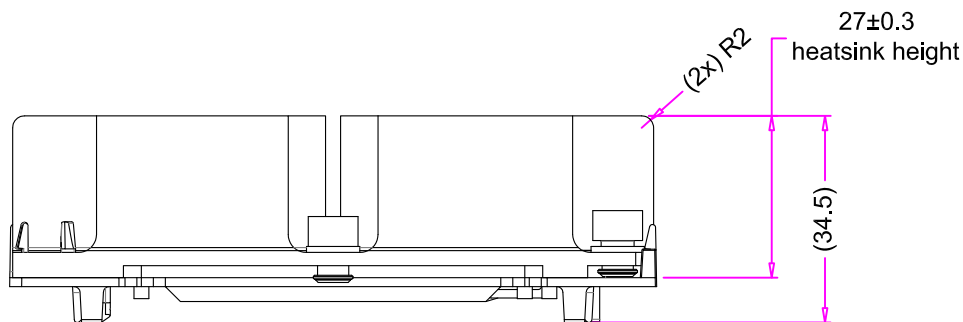
B

C

C

D

D

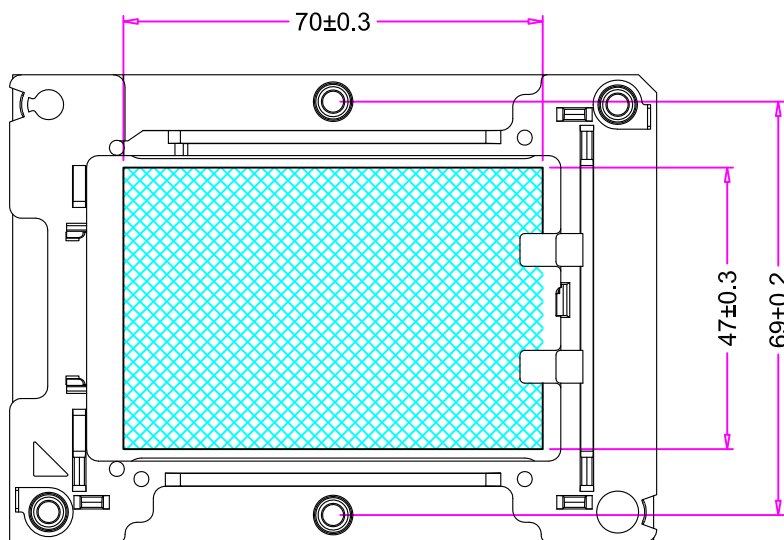


E

E

F

F



G

G

	NAME	DATE
DRAWN BY	enr	03/23/2017
CHECKED BY	LANG	03/23/2017
ENG. APPROVED		
MFG. APPROVED	-	-



DYNATRON CORPORATION

TOP MOTOR

TITLE: 1U Passive Cooler **B1**
Overall Dimension Drawing

CONFIDENTIAL DOCUMENT

THIS DRAWING CONTAINS INFORMATION PROPRIETARY TO DYNATRON CORPORATION AND DYNAEON INDUSTRIAL CO., LTD. ANY REPRODUCTION, DISCLOSURE, OR USE OF THIS DRAWING IS EXPRESSLY PROHIBITED EXCEPT AS DYNATRON CORPORATION AND DYNAEON INDUSTRIAL CO., LTD. MAY OTHERWISE AGREE TO IN WRITING.

VIEW	
UNITS	MM

DWG. No:

DYN-DM-B1

REV. 2.0

H

H

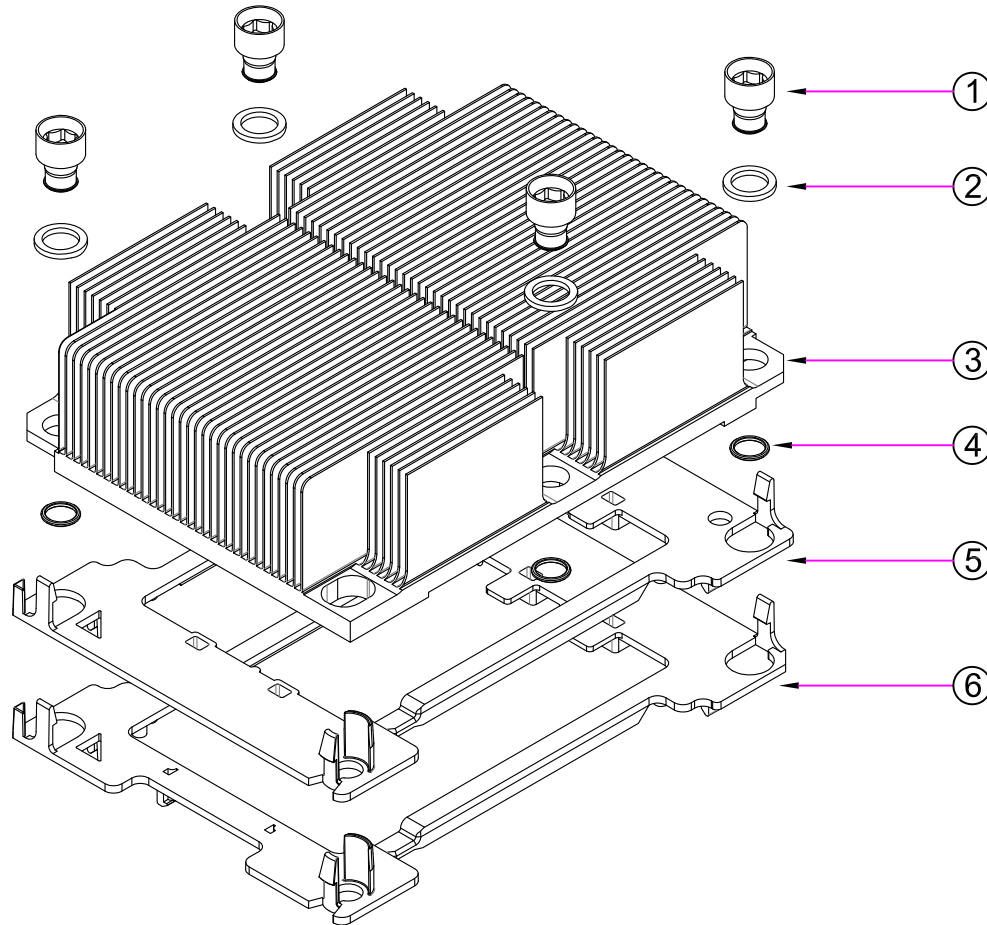
1 2 3 4 5 6 7

CONFIDENTIAL DOCUMENT

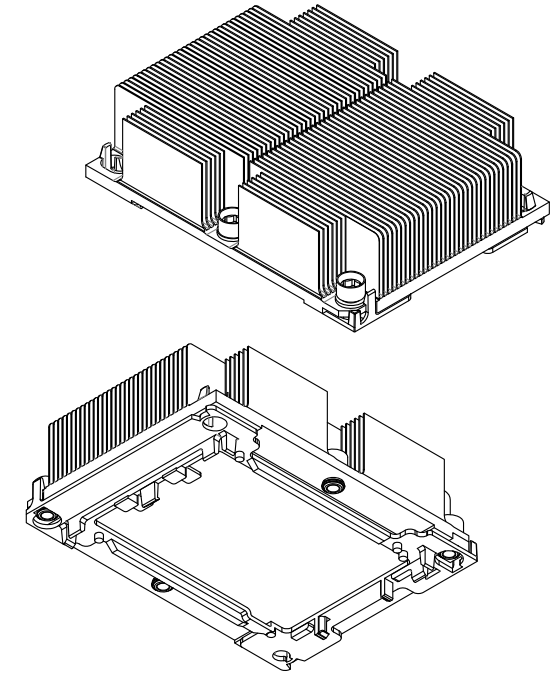
THIS DRAWING CONTAINS INFORMATION PROPRIETARY TO DYNATRON CORPORATION AND DYNAEON INDUSTRIAL CO., LTD. ANY REPRODUCTION, DISCLOSURE, OR USE OF THIS DRAWING IS EXPRESSLY PROHIBITED EXCEPT AS DYNATRON CORPORATION AND DYNAEON INDUSTRIAL CO., LTD. MAY OTHERWISE AGREE TO IN WRITING.

REV#	DESCRIPTION	CHECKER	DATE
0.0	INITIAL RELEASE	LANG	05/22/2015
1.0	ASSEMBLY PARTS UPDATE	LANG	01/25/2017
2.0	WIDTH DIMENSION CHANGED TO 78mm	LANG	03/23 / 2017

ASSEMBLY PARTS




WHOLE SET OF HEATSINK



7	THERMAL GREASE, PRE-PRINTED	SHIN-ETSU 7762	1
6	PACKAGE CARRIER , FABRIC	PLASTIC	1
5	PACKAGE CARRIER , NON-FABRIC	PLASTIC	1
4	CALLAR	NYLON	4
3	HEATSINK, SKIVING FIN	COPPER 1100	1
2	WASHER	PLASTIC	4
1	HEATSINK NUT, M4	SS316 ANNEALED	4
ITEM#	DESCRIPTION	MATERIAL	QTY.

NOTES:

1. THE FIGURE IS FOR REFERENCE ONLY, AND NOT FOR SCALE
2. OVERALL DIMENSION : 107 x 78 x 27mm
3. OVERALL WEIGHT : 600g

DATE	NAME	DYNATRON CORPORATION	
DRAWN 03 /23/2017	Engr	 TITLE: 1U Passive Cooler B1 BOM & Exploded Assembly Drawing	
CHECKED 03 /23/2017	LANG		
ENG. APPR.			
MFG. APPR.			
O.A.			
COMMENTS:		DWG. No:	REV
		DYN-EP-B1	2.0



Certificate of Environment Protection

環保證明書

Document Number: RH_B1-R0

Customer: 客戶名稱:	Company: _____ Address: _____ Phone Number: ____ - ____ - _____
Issue Date:	06/02/2016
Product Model Number:	B1
<p> Dynatron Corporation hereby declares and certifies that all components manufactured are RoHS compliant according to the definitions and restrictions given by the European Union's Restriction (Directive 2002/95/EC) (Decision 2011/65/EU) RoHS 2, on the restriction of the use of certain Hazardous Substances in the electrical and electronic equipment. Also, compliance to the most recent list of substances on the REACH candidate list. </p> <p> Number of substances on the Candidate List: 168 (last updated: 17/12/2015) </p> <p> No exemptions are claimed in order for the part to be compliant with the RoHS directive. </p> <p> Dynatron Corporation / 政久興業股份有限公司 證明所有產品, 零件 (包括附屬品, 包裝類) 之環境管理物質完全符合 RoHS, WEEE, 及該環保標準之規定, 並承諾遵循以上之證明。 </p> <div style="text-align: right; margin-top: 20px;"> <p>Dynatron Corporation.</p> <p>33200 Western Ave,</p> <p>Union City, CA 94587</p> <p>www.Dynatron-corp.com</p> </div> <p style="margin-top: 20px;"> Title (職務): _____ ASSISTANT-MANAGER _____ </p> <p style="margin-top: 10px;"> Signature (簽字): _____ <i>Alan Lee</i> _____ </p> <p style="text-align: right; margin-top: 10px;"> Date: 06 / 02 / 2016 </p>	