



*WWW.DYNATRON-CORP.COM*

## **Product Spec Sheet**

# **A24**

## Table of Contents

1. Product Description .....	3
2. Thermal Performance Curve .....	4
3. Dimension and BOM Drawing.....	5
4. RoHS Certificate.....	6

## ***NEW PRODUCT SPEC SHEET***

### **Application:**

- Recommend for AMD Processor, Socket AM4
- Active Cooler For 2U Server

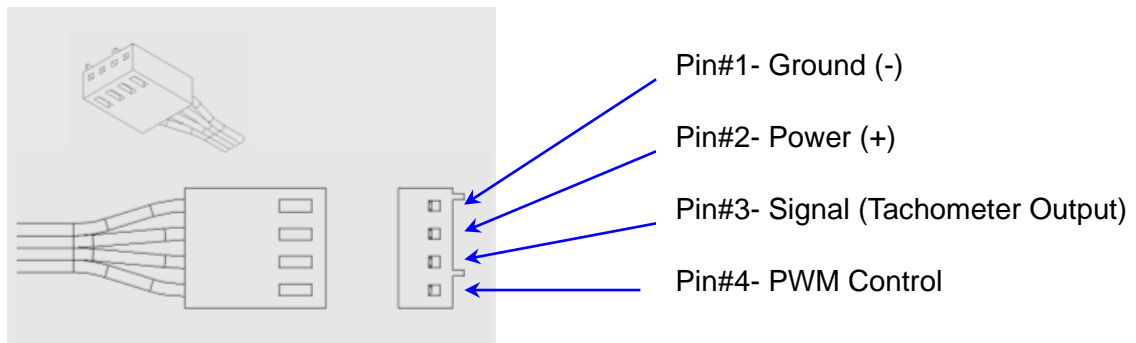
### **Overall Specification:**

- Dimension: 107 x 78 x 67 mm
- Weight: 400 g
- 6028 Side-Blow Fan with PWM Function
- Material: Aluminum Stacked Fin with Heat Pipes directly contact CPU
- Convenient Heat Sink Captive Mounting
- Thermal Grease Shin-Etsu 7762 Pre-printed
- Support CPU Power 95 Watts Heat Dissipation

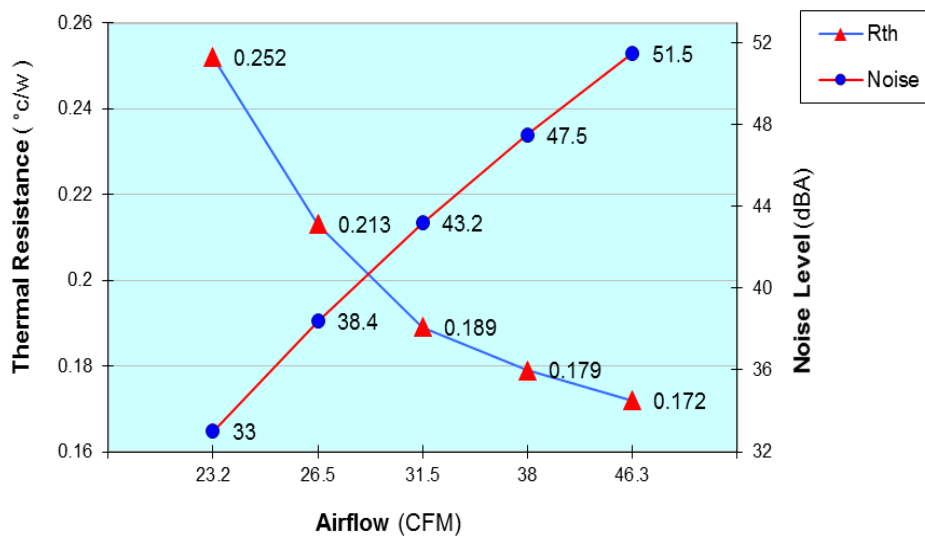
### **Fan Specification:**

- Model Number: DF126028BL - PWMG
- Dimension: 60 x 60 x 28 mm
- Bearing: Double-Ball
- Rated Voltage: 12V
- Rated Speed:
  - At Duty Cycle 0~20% : 1500±10% RPM
  - At Duty Cycle 50% : 3500±10% RPM
  - At Duty Cycle 100% : 7000 RPM Min.
- Rated Input Power:
  - At Duty Cycle 0~20% : 0.60 W
  - At Duty Cycle 50% : 2.16 W
  - At Duty Cycle 100% : 7.20 W

- Rated Airflow:
  - At Duty Cycle 0~20% : 8.8 CFM
  - At Duty Cycle 50% : 20.3 CFM
  - At Duty Cycle 100% : 40.5 CFM
- Rated Static Pressure:
  - At Duty Cycle 0~20% : 0.7 mm-H<sub>2</sub>O
  - At Duty Cycle 50% : 3.6 mm-H<sub>2</sub>O
  - At Duty Cycle 100% : 14.3 mm-H<sub>2</sub>O
- Rated Acoustical Noise:
  - At Duty Cycle 0~20% : 16.0 dBA
  - At Duty Cycle 50% : 32.9 dBA
  - At Duty Cycle 100% : 47.5 dBA
- Lead Wire Pin Out Diagram :



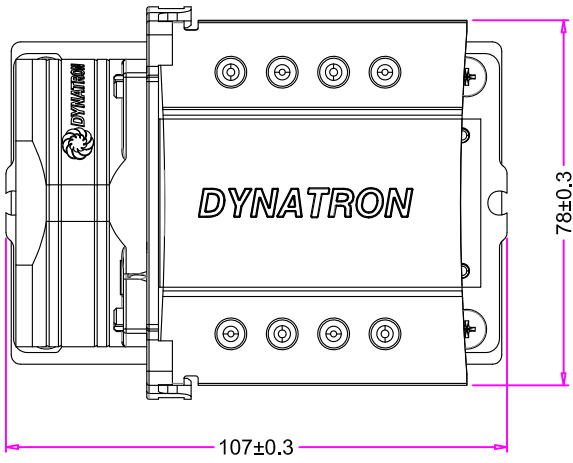
### Active Cooler A24 Cooling Performance VS. Fan Speed & Noise:



1 2 3 4 5 6 7

REV#	DESCRIPTION	CHECKER	DATE
0.0	INITIAL RELEASE	LANG	05/19/17

A

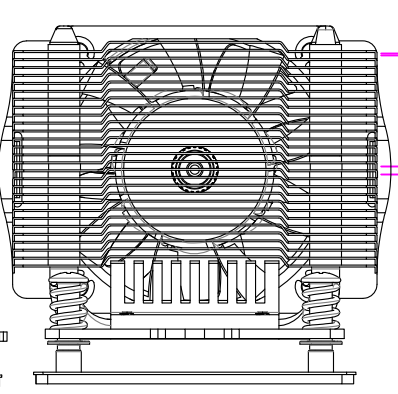
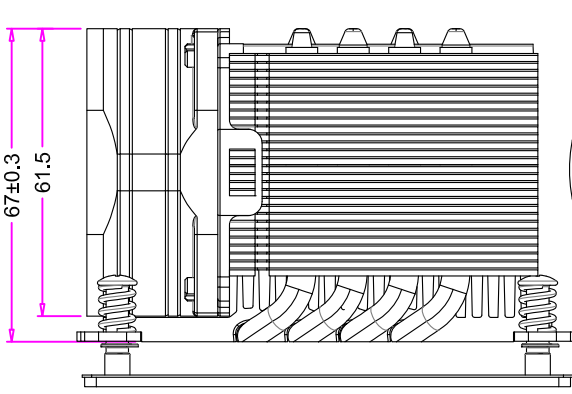
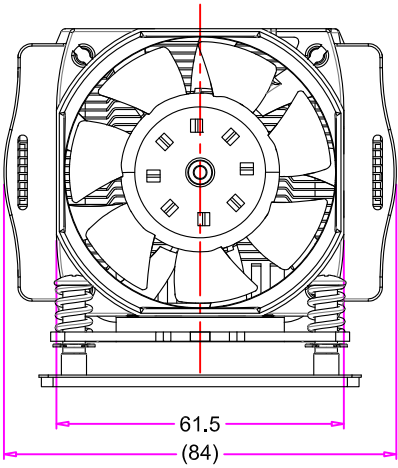


A

B

B

C



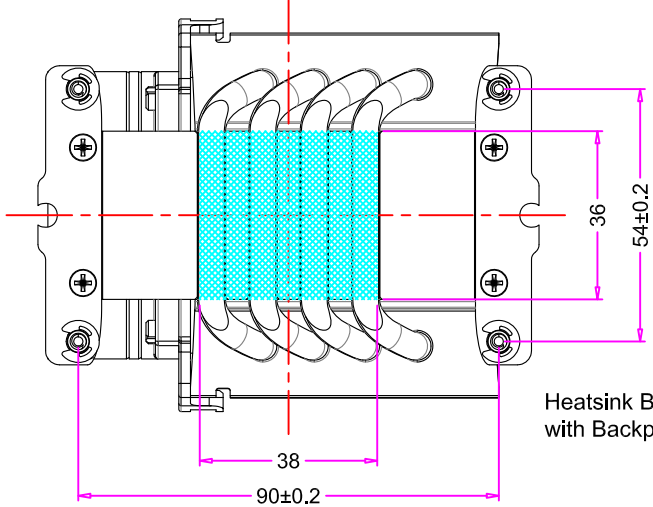
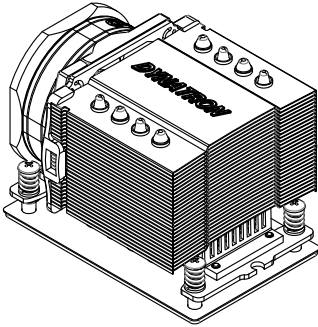
C

D

D

E

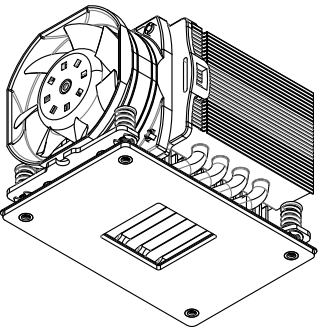
E



Heatsink Bottom View with Backplate Hidden

F

F



Item#	Description	Material	QTY.
11	Insulator	PC, with Dual-Side Adhesive	1
10	Backplate	SPCC	1
9	Thermal Grease, Pre-Printed	Shin-Etsu, 7762	1
8	C-ring	Steel	4
7	Screw, Heatsink Bracket	Steel	4
6	Bracket	SK7, Thk 2.0mm	2
5	Spring (0940)	SWP	4
4	Heatsink, Stacked Fin	Aluminum + Heatplpe	1
3	Screw, # 6-32 UNC	Steel	4
2	Fan Bracket	Plastic	1
1	Fan, DF126028BM-PWVG, 7000RPM	Plastic	1

G

G

	NAME	DATE
DRAWN BY	enr	05 / 19 / 2017
CHECKED BY	LANG	05 / 19 / 2017
ENG. APPROVED		
MFG. APPROVED	-	-



DYNATRON CORPORATION

TOP MOTOR

TITLE: 2U Active Cooler **A24**  
BOM & Overall Dimension Drawing

H

H

**CONFIDENTIAL DOCUMENT**  
THIS DRAWING CONTAINS INFORMATION PROPRIETARY TO DYNATRON CORPORATION AND DYNAEON INDUSTRIAL CO., LTD. ANY REPRODUCTION, DISCLOSURE, OR USE OF THIS DRAWING IS EXPRESSLY PROHIBITED EXCEPT AS DYNATRON CORPORATION AND DYNAEON INDUSTRIAL CO., LTD. MAY OTHERWISE AGREE TO IN WRITING.

VIEW		DWG. No:	REV.
UNITS	MM	<b>DYN-BD-A24</b>	<b>0.0</b>

1 2 3 4 5 6 7



## Certificate of Environment Protection

### 環保證明書

Document Number: RH-A24-R0

<b>Customer:</b> 客戶名稱:	<b>Company:</b> _____ <b>Address:</b> _____ <b>Phone Number:</b> ____ - ____ - _____
<b>Issue Date:</b>	05/19/2017
<b>Product Model Number:</b>	A24
<p><b>Dynatron Corporation</b> hereby declares and certifies that all components manufactured are RoHS compliant according to the definitions and restrictions given by the European Union's Restriction (Directive 2002/95/EC) (Decision2011/65/EU)RoHS 2, on the restriction of the use of certain Hazardous Substances in the electrical and electronic equipment. Also, compliance to the most recent list of substances on the REACH candidate list.</p> <p><b>Number of substances on the Candidate List: 168 (last updated: 17/12/2015)</b></p> <p>No exemptions are claimed in order for the part to be compliant with the RoHS directive.</p> <p><b>Dynatron Corporation / 政久興業股份有限公司</b>證明所有產品,零件 (包括附屬品, 包裝類) 之環境管理物質完全符合 RoHS, WEEE, 及該環保標準之規定, 並承諾遵循以上之證明.</p> <div style="text-align: right; margin-top: 20px;"> <p><b>Dynatron Corporation.</b>            33200 Western Ave,            Union City, CA 94587            www.Dynatron-corp.com</p> </div> <p style="margin-top: 20px;"> <b>Title (職務):</b> _____ ASSISTANT-MANAGER _____         </p> <p style="margin-top: 10px;"> <b>Signature (簽字):</b> _____ <i>Van Lee</i> _____         </p> <p style="text-align: right; margin-top: 10px;">           Date: 05 / 19 / 2017         </p>	

