



WWW.DYNATRON-CORP.COM

Product Spec Sheet

A19

Table of Contents

1. Product Description	3
2. Thermal Performance Curve	4
3. Dimension and BOM Drawing.....	5
4. RoHS Certificate.....	6



NEW PRODUCT SPEC SHEET

Application:

- Recommend for AMD Processor, Socket AM4
- Active Cooler For 3U Server

Overall Specification:

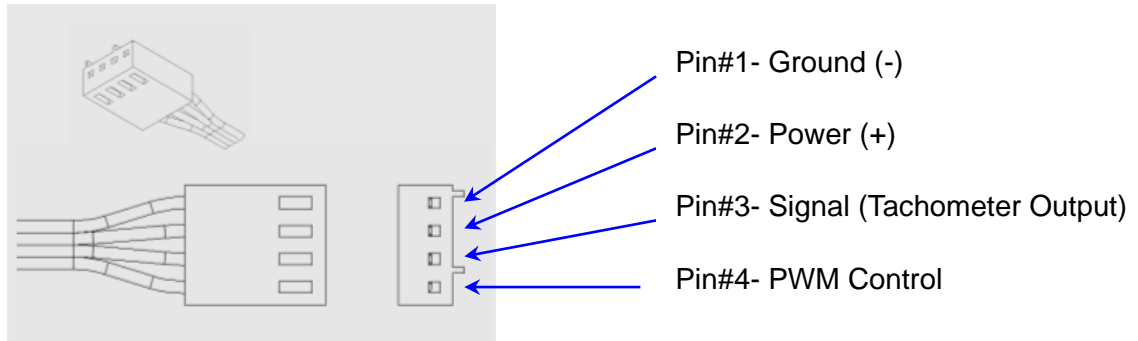
- Dimension: 107.5 x 78 x 110 mm
- Weight: 550 g
- 8038 Side-Blow Fan with PWM Function
- Material: Aluminum Stacked Fin with Heat Pipes directly contact CPU
- Convenient Heat Sink Captive Mounting
- Thermal Grease Shin-Etsu 7762 Pre-printed
- Support CPU Power 95 Watts Heat Dissipation

Cooling Fan Specification:

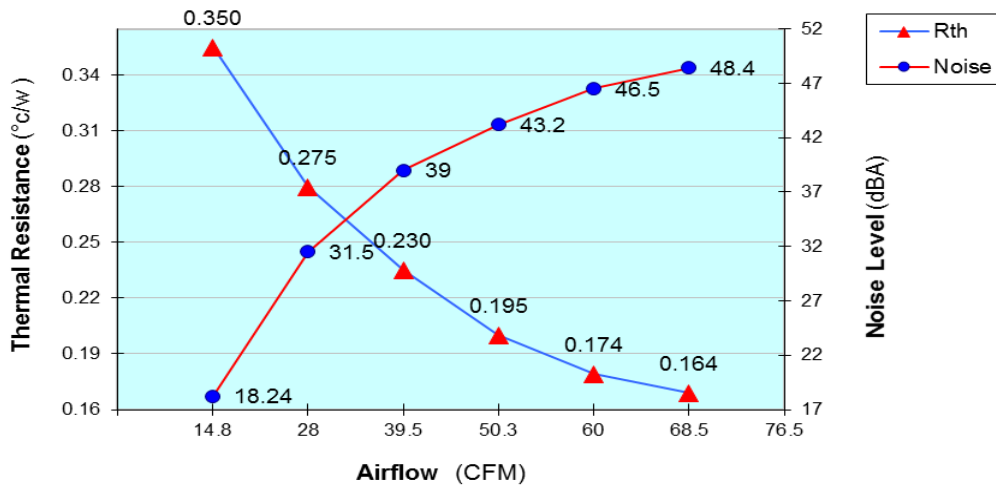
- Model Number: DF128038BL - PWMG
- Dimension: 80 x 80 x 38 mm
- Bearing Type : Ball, Double
- Rated Voltage: 12V
- Rated Speed:
 - At Duty Cycle 0~20% : 1000±10% RPM
 - At Duty Cycle 50% : 2000±10% RPM
 - At Duty Cycle 100% : 3800 RPM Min.
- Rated Input Power:
 - At Duty Cycle 0~20% : 2.2 W
 - At Duty Cycle 50% : 3.6 W
 - At Duty Cycle 100% : 7.9 W

- Rated Airflow:
 - At Duty Cycle 0~20% : 13.8 CFM
 - At Duty Cycle 50% : 30.78 CFM
 - At Duty Cycle 100% : 65.4 CFM
- Rated Static Pressure:
 - At Duty Cycle 0~20% : 0.420 mm-H₂O
 - At Duty Cycle 50% : 2.450 mm-H₂O
 - At Duty Cycle 100% : 9.750 mm-H₂O
- Rated Acoustical Noise:
 - At Duty Cycle 0~20% : 16.0 dBA
 - At Duty Cycle 50% : 31.5 dBA
 - At Duty Cycle 100% : 43.4 dBA

- Lead Wire Pin Out Diagram :



Active Cooler A19 Cooling Performance Curve :



REV#	DESCRIPTION	CHECKER	DATE
0.0	INITIAL RELEASE	LANG	05/15/17

A

B

C

D

E

F

G

H

A

B

C

D

E

F

G

H

1

2

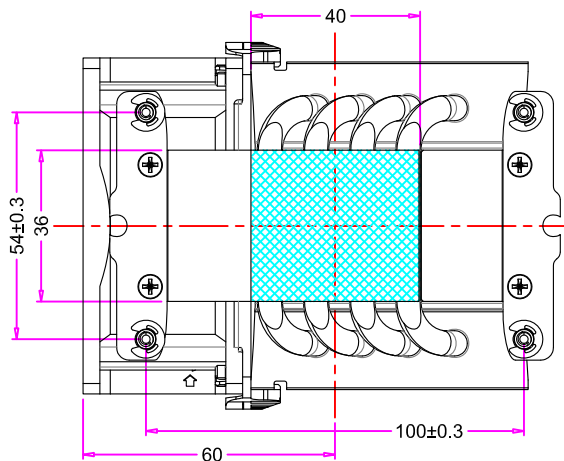
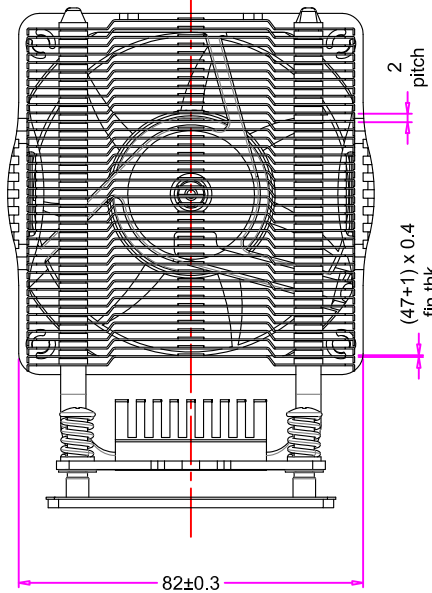
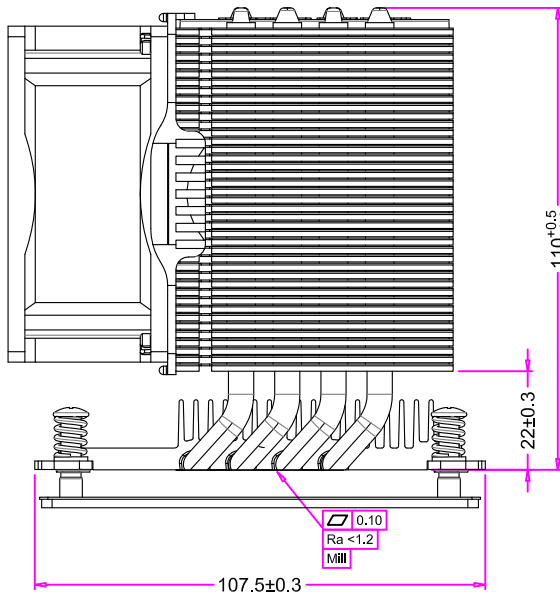
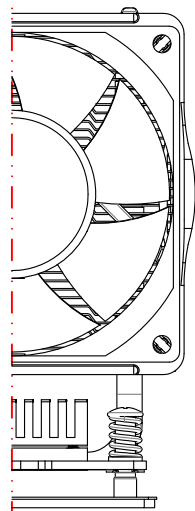
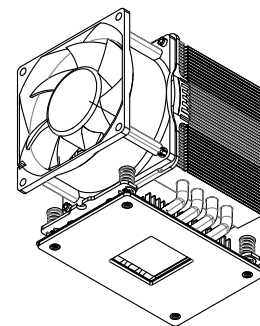
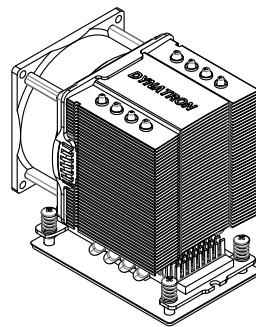
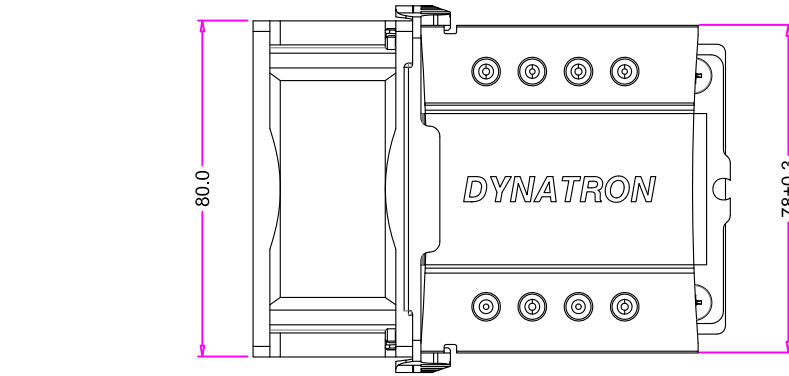
3

4

5

6

7



Bottom View with Backplate Hidden

ITEM#	DESCRIPTION	MATERIAL	QTY.
11	Backplate and Insulator	SPCC / PC	1
10	C-Ring	Steel	4
9	Screw, Bracket	Steel	4
8	Heatsink Bracket	SK-7	2
7	Spring (0910)	SUS 304	4
6	Thermal Grease, Pre-printed	Shin-Etsu 7762	1
5	Washer	Steel	4
4	Screw, Heatsink Mounting, #6-32	Steel	4
3	Heat Sink	AL.Fin + Heatpipes	1
2	Fan, DF128038BE-PWMG,3500RPM	PC, Semi-Transparent	1
1	Fan Mounting Bracket	Plastic	1

	NAME	DATE
DRAWN BY	engr	05/15/2017
CHECKED BY	LANG	05/15/2017
ENG.APPROVED		
MFG.APPROVED	-	-



TOP MOTOR

DYNATRON CORPORATION

TITLE: 3U Active Cooler **A19**
BOM & Overall Dimension Drawing

CONFIDENTIAL DOCUMENT
THIS DRAWING CONTAINS INFORMATION PROPRIETARY TO DYNATRON CORPORATION AND DYNAEON INDUSTRIAL CO., LTD. ANY REPRODUCTION, DISCLOSURE, OR USE OF THIS DRAWING IS EXPRESSLY PROHIBITED EXCEPT AS DYNATRON CORPORATION AND DYNAEON INDUSTRIAL CO., LTD. MAY OTHERWISE AGREE TO IN WRITING.

VIEW	
UNITS	MM

DWG. No:

DYN-BD-A19

REV.

0.0

1

2

3

4

5

6

7



Certificate of Environment Protection

環保證明書

Document Number: RH-A19-R0

Customer: 客戶名稱:	Company: _____ Address: _____ Phone Number: ____ - ____ - _____
Issue Date:	05/19/2017
Product Model Number:	A19
<p>Dynatron Corporation hereby declares and certifies that all components manufactured are RoHS compliant according to the definitions and restrictions given by the European Union's Restriction (Directive 2002/95/EC) (Decision2011/65/EU)RoHS 2, on the restriction of the use of certain Hazardous Substances in the electrical and electronic equipment. Also, compliance to the most recent list of substances on the REACH candidate list.</p> <p>Number of substances on the Candidate List: 168 (last updated: 17/12/2015)</p> <p>No exemptions are claimed in order for the part to be compliant with the RoHS directive.</p> <p>Dynatron Corporation / 政久興業股份有限公司證明所有產品,零件 (包括附屬品, 包裝類) 之環境管理物質完全符合 RoHS, WEEE, 及該環保標準之規定, 並承諾遵循以上之證明.</p> <div style="text-align: right; margin-top: 20px;"> <p>Dynatron Corporation. 33200 Western Ave, Union City, CA 94587 www.Dynatron-corp.com</p> </div> <p style="margin-top: 20px;"> Title (職務): _____ ASSISTANT-MANAGER </p> <p style="margin-top: 10px;"> Signature (簽字): _____ Date: 05 / 19 / 2017 </p>	

