



WWW.DYNATRON-CORP.COM

Product Spec Sheet

T757

Table of Contents

| | |
|------------------------------------|--------|
| 1. Product Description | page 3 |
| 2. Thermal Performance Curve | page 4 |
| 3. DM and EP Drawing | page 5 |
| 4. RoHS Certificate..... | page 6 |

Model Number: T757

Application :

- Recommend for AMD Opteron Series of 6100, 6200, 6300 Processor, Socket G34
- Active Cooler by Side-Blowing Cooling for Tower PC and 4U Workstation

Overall Specification :

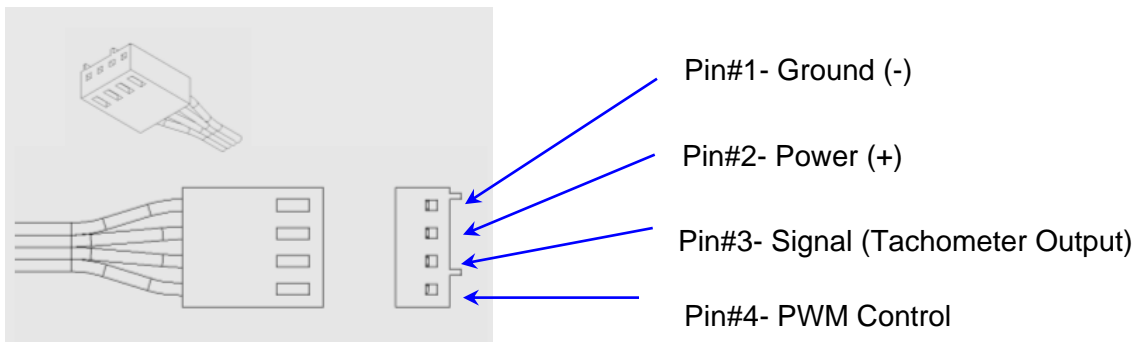
- Dimension: 112 x 82 x 131 mm
- Weight: 580g±5g
- 8038 Side-Blow Fan with PWM Function
- Material: Aluminum Stacked Fin with Heat Pipes directly contact CPU
- Convenient Heat Sink Captive Mounting
- Thermal Grease Shin-Etsu 7762 Pre-printed
- Support CPU Power up to 140 Watts Heat Dissipation

Fan Specification:

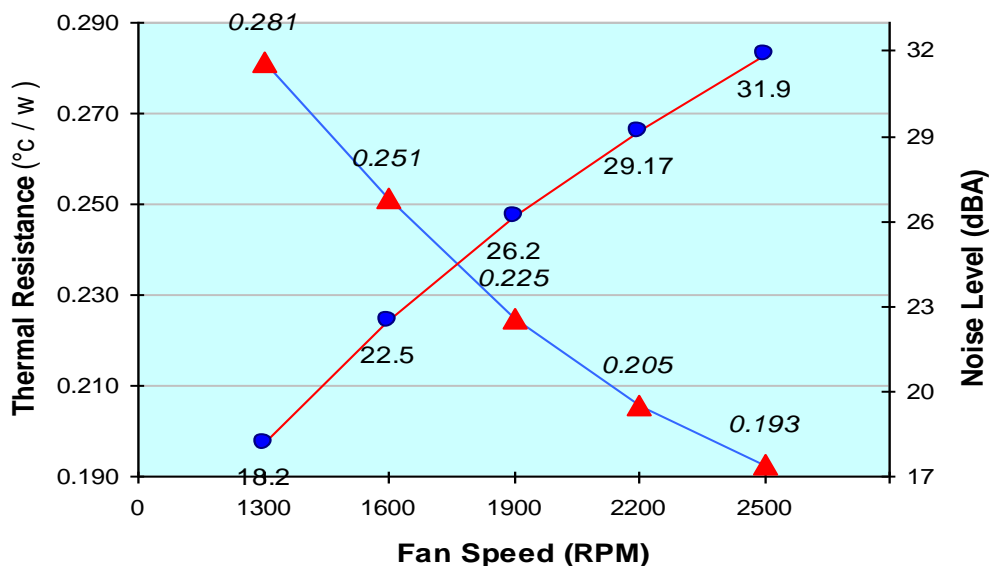
- Model Number: DF129225BM-PWMG
- Dimension: Ø92 x 25mm
- Bearing: Ball, Double
- Rated Voltage: 12V
- Rated Speed:
 - At Duty Cycle 0~20% : 1000 ± 200 RPM
 - At Duty Cycle 50% : 1800 ±10% RPM
 - At Duty Cycle 100% : 2500 ±10%RPM
- Rated Input Power:
 - At Duty Cycle 0~20%: 0.96 W
 - At Duty Cycle 50%: 1.44 W
 - At Duty Cycle 100%: 3.0 W

- Rated Airflow:
 - At Duty Cycle 0~20% : 17.34 CFM
 - At Duty Cycle 50% : 31.21 CFM
 - At Duty Cycle 100% : 43.36 CFM
- Rated Static Pressure:
 - At Duty Cycle 0~20% : 0.48 mm-H₂O
 - At Duty Cycle 50% : 1.55 mm-H₂O
 - At Duty Cycle 100% : 3.0 mm-H₂O
- Rated Acoustical Noise:
 - At Duty Cycle 0~20% : 17.0 dBA
 - At Duty Cycle 50% : 24.78 dBA
 - At Duty Cycle 100% : 31.92 dBA

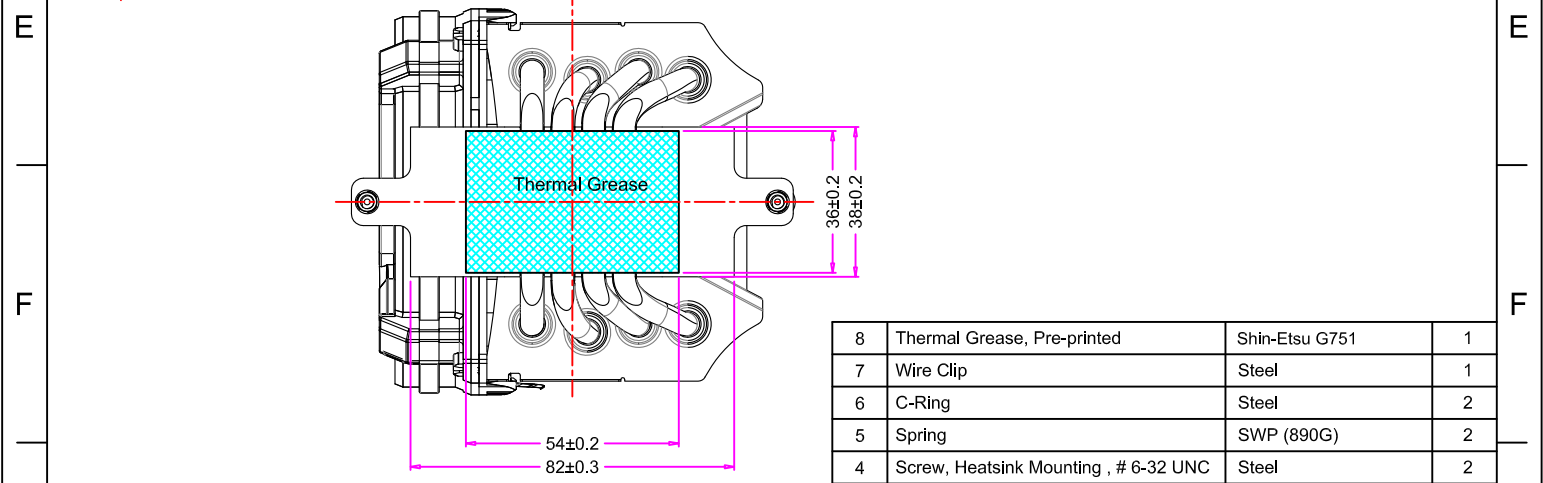
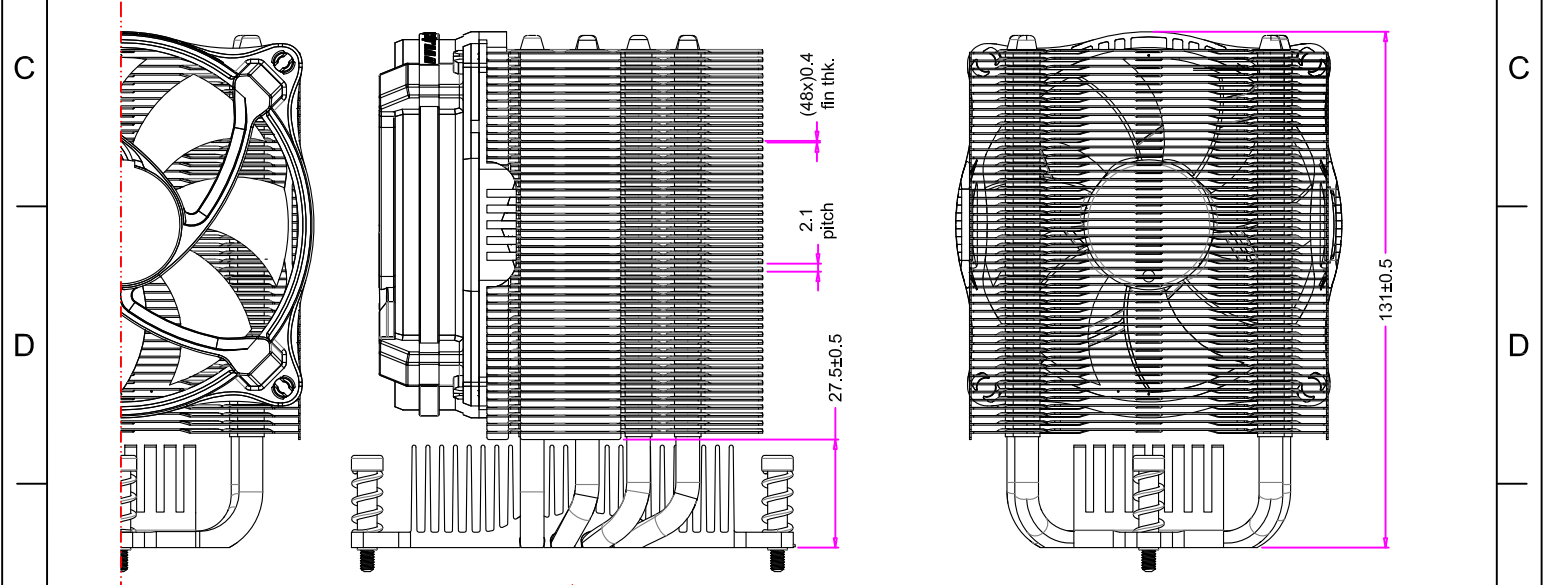
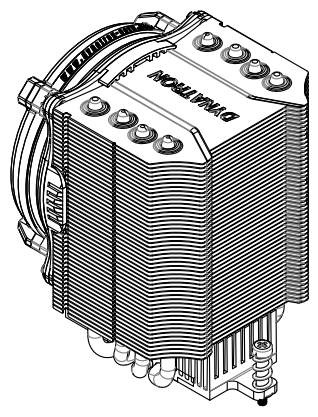
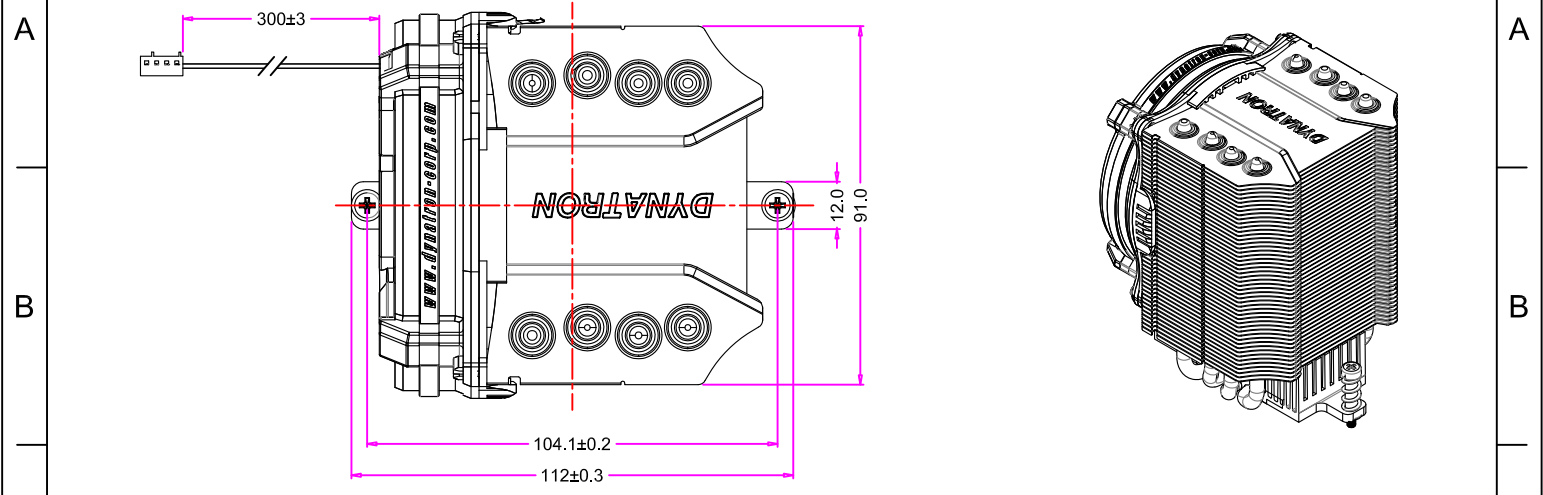
- Lead Wire Pin Out Diagram :



Active Cooler T757 Thermal Performance Curve :




| ITEM# | DESCRIPTION | CHECKER | DATE |
|-------|-----------------|---------|----------|
| 1 | Initial Release | LANG | 08/08/13 |



| ITEM# | DESCRIPTION | MATERIAL | QTY. |
|-------|---------------------------------------|--------------------|------|
| 8 | Thermal Grease, Pre-printed | Shin-Etsu G751 | 1 |
| 7 | Wire Clip | Steel | 1 |
| 6 | C-Ring | Steel | 2 |
| 5 | Spring | SWP (890G) | 2 |
| 4 | Screw, Heatsink Mounting , # 6-32 UNC | Steel | 2 |
| 3 | Heat Sink | AL.Fin + Heatpipes | 1 |
| 2 | Fan, DF129225BM-PWMG, 3000RPM | Plastic | 1 |
| 1 | Fan Mounting Bracket | Plastic | 1 |

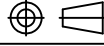
| | NAME | DATE |
|--------------|-------|------------|
| DRAWN BY | Engr. | 08/08/2013 |
| CHECKED BY | LANG | 08/08/2013 |
| ENG.APPROVED | | |
| MFG.APPROVED | - | - |



DYNATRON CORPORATION

TOP MOTOR

TITLE: 4U Active Cooler T757
BOM & Overall Dimension Drawing

| | | | | | | | |
|--|--|--|--|-------|---|--------------------|-----------|
| CONFIDENTIAL DOCUMENT | | | | VIEW |  | DWG. No: | REV. |
| THIS DRAWING CONTAINS INFORMATION PROPRIETARY TO DYNATRON CORPORATION AND DYNAEON INDUSTRIAL CO., LTD. ANY REPRODUCTION, DISCLOSURE, OR USE OF THIS DRAWING IS EXPRESSLY PROHIBITED EXCEPT AS DYNATRON CORPORATION AND DYNAEON INDUSTRIAL CO., LTD. MAY OTHERWISE AGREE TO IN WRITING. | | | | UNITS | MM | DYN-BD-T757 | 00 |



Certificate of Environment Protection

環保證明書

Document Number: RH-T757-R0

| | |
|---|---|
| Customer: 客戶名稱: | Company: _____ Address: _____ Phone Number: _____ - _____ - _____ |
| Issue Date: | 08/08/2016 |
| Product Model Number: | T757 |
| <p>Dynatron Corporation hereby declares and certifies that all components manufactured are RoHS compliant according to the definitions and restrictions given by the European Union's Restriction (Directive 2002/95/EC) (Decision 2011/65/EU) RoHS 2, on the restriction of the use of certain Hazardous Substances in the electrical and electronic equipment. Also, compliance to the most recent list of substances on the REACH candidate list.</p> <p>Number of substances on the Candidate List: 168 (last updated: 17/12/2015)</p> <p>No exemptions are claimed in order for the part to be compliant with the RoHS directive.</p> <p>Dynatron Corporation / 政久興業股份有限公司 證明所有產品, 零件 (包括附屬品, 包裝類) 之環境管理物質完全符合 RoHS, WEEE, 及該環保標準之規定, 並承諾遵循以上之證明。</p> <div style="text-align: right; margin-top: 20px;"> <p>Dynatron Corporation. 33200 Western Ave, Union City, CA 94587 www.Dynatron-corp.com</p> </div> <p style="margin-top: 20px;"> Title (職務): _____ ASSISTANT-MANAGER _____ </p> <p style="margin-top: 20px;"> Signature (簽字): _____  _____ </p> <p style="text-align: right; margin-top: 10px;"> Date: 08 / 08 / 2016 </p> | |

