



**DYNATRON**

The Thermal Solution Architect

*WWW.DYNATRON-CORP.COM*

## Product Spec Sheet

# B21

## Table of Contents

|                                    |   |
|------------------------------------|---|
| 1. Product Description .....       | 3 |
| 2. Thermal Performance Curve ..... | 3 |
| 3. DM Drawing .....                | 4 |
| 4. EP Drawing .....                | 5 |
| 5. RoHS Certificate.....           | 6 |

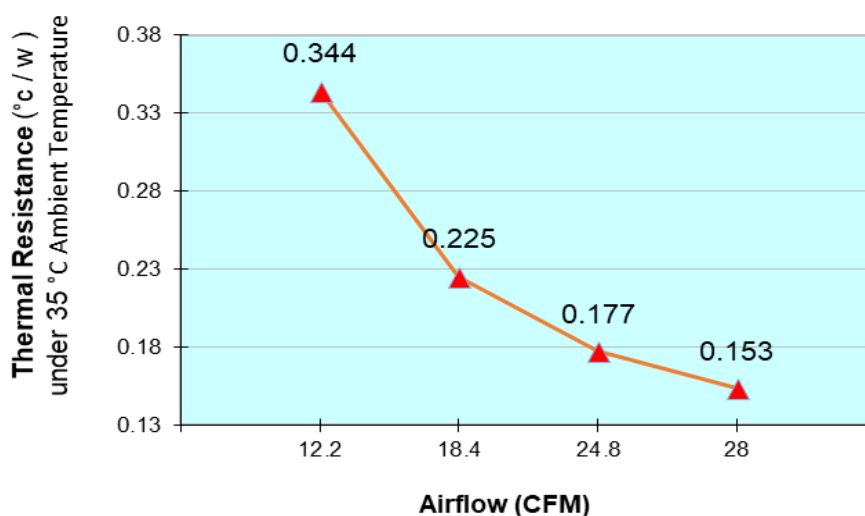
## Application :

- Recommend for Intel® Xeon® Platinum / Gold Family Processor ( products formerly Skylake ), Socket FCLGA3647
- **For Narrow ILM Only**
- Passive Cooler for 1U Server

## Overall Specification :

- Dimension: 108 x 81 x 27 mm
- Weight: 480 g
- Material: Copper1100 Stacked Fin Heatsink with Heatpipe Array Base
- Convenient Heat Sink Screw captive mounting
- Thermal Grease Shin-Etsu 7762 Pre-printed
- Support CPU power up to 205 Watts heat dissipation
- Includes both Fabric and Non-Fabric Package Carriers

## Passive Cooler B21 Thermal Performance Curve



1 2 3 4 5 6 7

| REV# | DESCRIPTION     | CHECKER | DATE       |
|------|-----------------|---------|------------|
| 0.0  | INITIAL RELEASE | LANG    | 05/25/2018 |

A

B

C

D

E

F

G

H

A

B

C

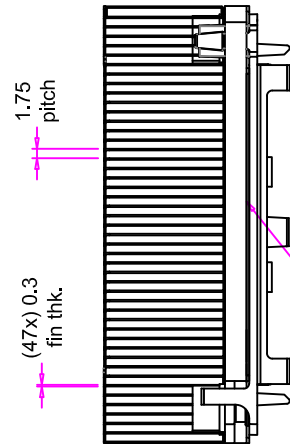
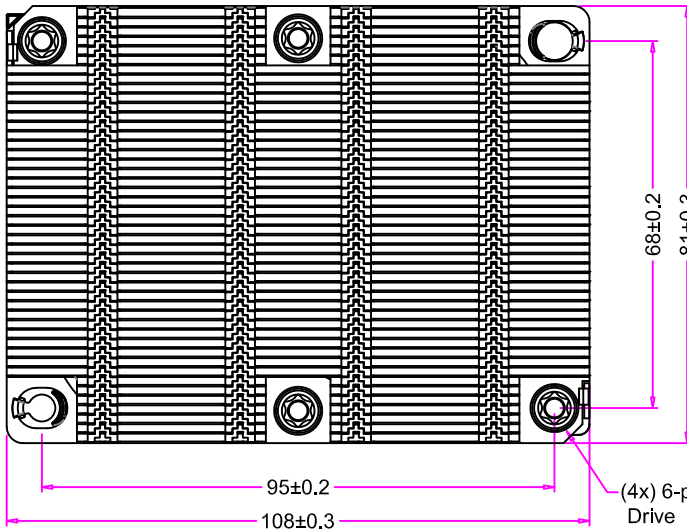
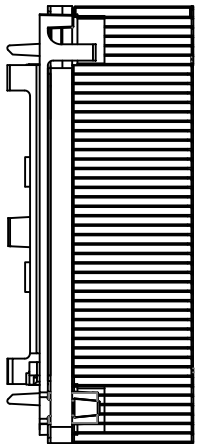
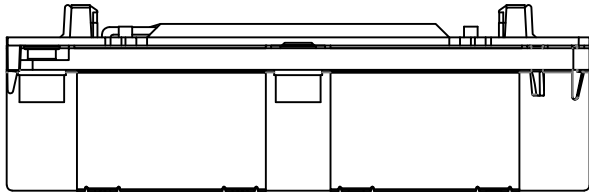
D

E

F

G

H

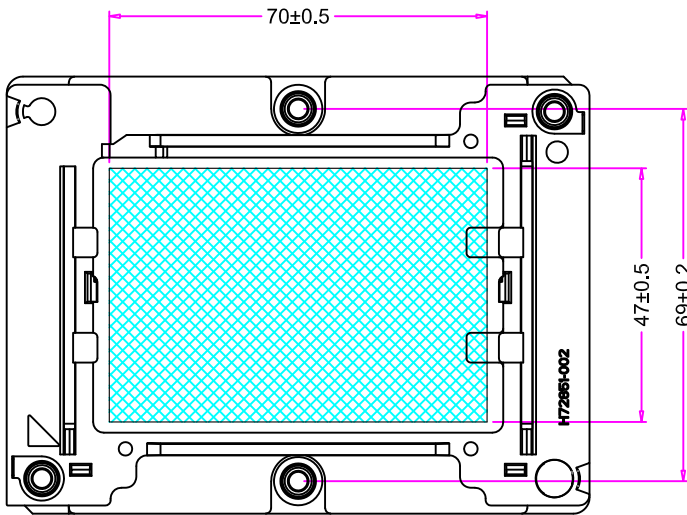
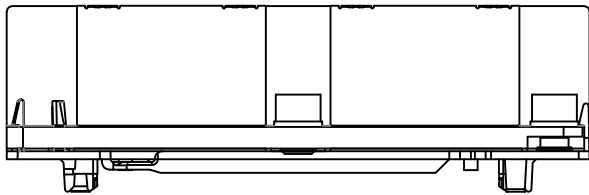


1.75 pitch

(47x) 0.3 fin thk.

0.10  
Ra < 1.2  
Grind

27±0.3  
Heatsink Overall Height



**Note :**  
Model B4A with Non-Fabric Package Carrier Attached

|               | NAME | DATE       |
|---------------|------|------------|
| DRAWN BY      | engr | 05/25/2018 |
| CHECKED BY    | LANG | 05/25/2018 |
| ENG. APPROVED |      |            |
| MFG. APPROVED | -    | -          |



DYNATRON CORPORATION

TOP MOTOR

TITLE: 1U Passive Cooler Model **B21**  
Overall Dimension Drawing

**CONFIDENTIAL DOCUMENT**

THIS DRAWING CONTAINS INFORMATION PROPRIETARY TO DYNATRON CORPORATION AND DYNAEON INDUSTRIAL CO., LTD. ANY REPRODUCTION, DISCLOSURE, OR USE OF THIS DRAWING IS EXPRESSLY PROHIBITED EXCEPT AS DYNATRON CORPORATION AND DYNAEON INDUSTRIAL CO., LTD. MAY OTHERWISE AGREE TO IN WRITING.

|       |    |
|-------|----|
| VIEW  |    |
| UNITS | MM |

DWG. No:

DYN-DM-B21

REV.  
0.0

1 2 3 4 5 6 7

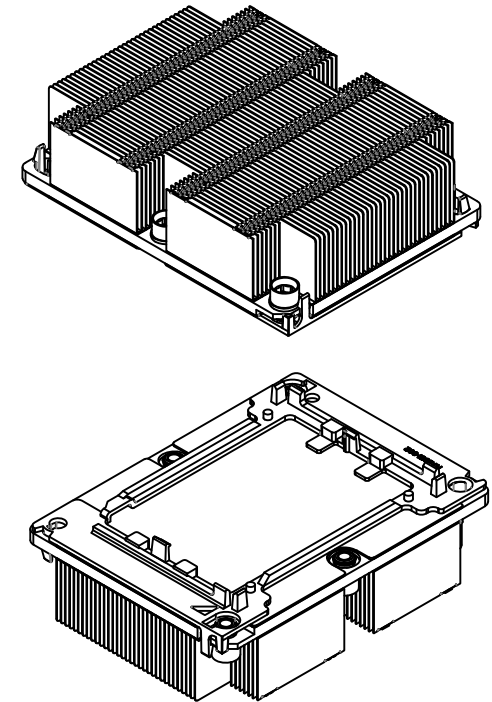
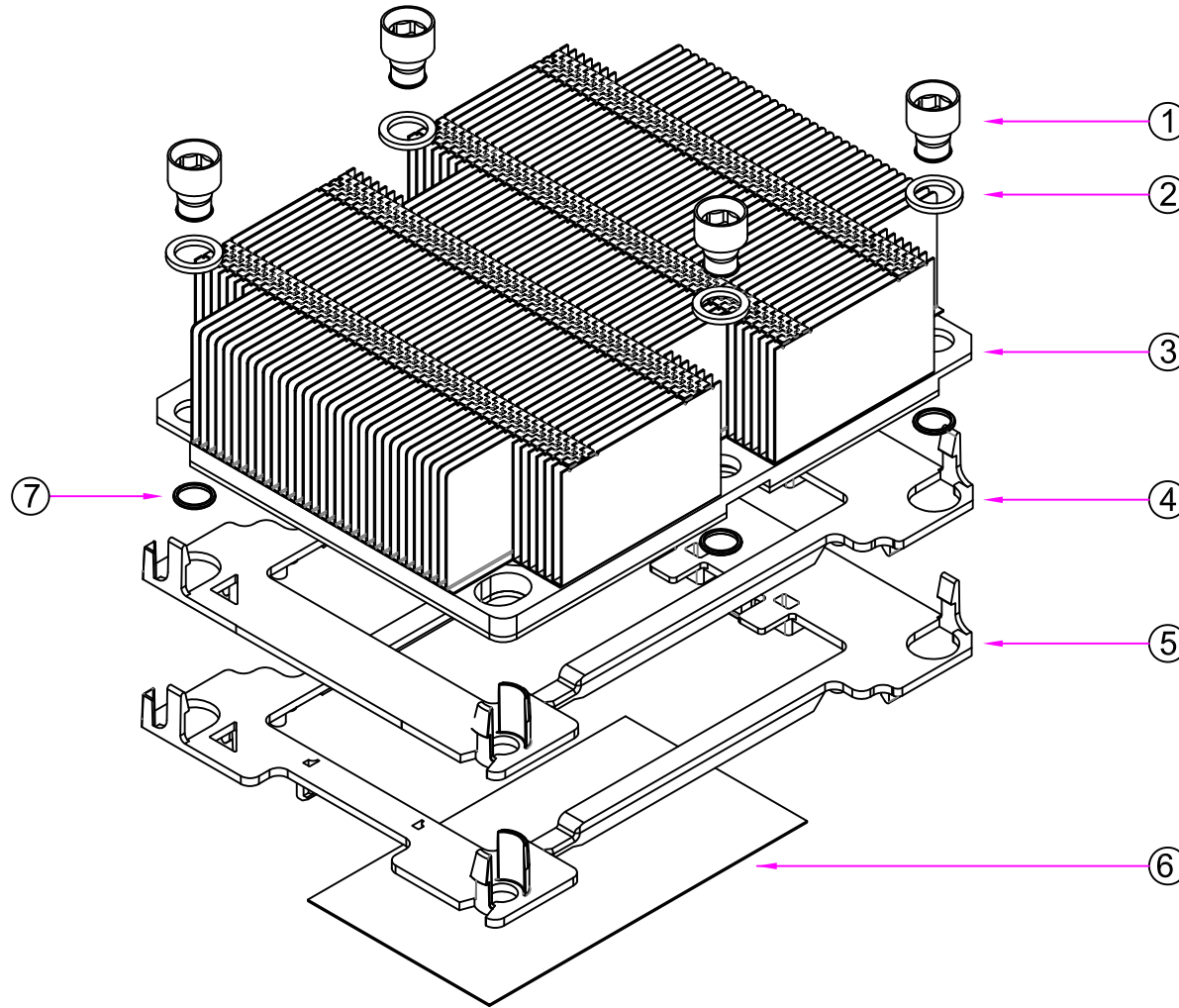
**CONFIDENTIAL DOCUMENT**

THIS DRAWING CONTAINS INFORMATION PROPRIETARY TO DYNATRON CORPORATION AND DYNAEON INDUSTRIAL CO., LTD. ANY REPRODUCTION, DISCLOSURE, OR USE OF THIS DRAWING IS EXPRESSLY PROHIBITED EXCEPT AS DYNATRON CORPORATION AND DYNAEON INDUSTRIAL CO., LTD. MAY OTHERWISE AGREE TO IN WRITING.

| REV# | DESCRIPTION     | CHECKER | DATE       |
|------|-----------------|---------|------------|
| 0.0  | INITIAL RELEASE | LANG    | 08/31/2017 |

**ASSEMBLY PARTS**


**WHOLE SET OF HEATSINK**



| ITEM# | DESCRIPTION  | MATERIAL                                 | QTY. |
|-------|--|--|------|
| 7     | CALLAR   | NYLON                                    | 4    |
| 6     | THERMAL GREASE, PRE-PRINTED  | SHIN ETSU 7762                           | 1    |
| 5     | PACKAGE CARRIER , NON-FABRIC   | PLASTIC                                  | 1    |
| 4     | PACKAGE CARRIER , FABRIC   | PLASTIC                                  | 1    |
| 3     | HEATSINK, ALUMINUM BASE<br>COPPER BOTTOM PLATE<br>(3x) HEATPIPES<br>STACKED FINS | COPPER 1100, BASE PLATE<br>FIN, HEATPIPE | 1    |
| 2     | WASHER, 1.0 mm   | PLASTIC                                  | 4    |
| 1     | HEATSINK NUT, M4   | SS316 ANNEALED                           | 4    |

**NOTES:**

1. THE FIGURE IS FOR REFERENCE ONLY, AND NOT FOR SCALE
2. OVERALL DIMENSION : 108 x 81 x 27 mm
3. OVERALL WEIGHT : 480 g

|            |            |      |   |                   |
|------------|------------|------|---|-------------------|
|            | DATE       | NAME |  <b>DYNATRON CORPORATION</b><br>TITLE:<br><b>1U Passive Cooler B21</b><br><b>BOM &amp; Exploded Assembly Drawing</b> | REV<br><b>0.0</b> |
| DRAWN      | 05/25/2018 | Engr |   |                   |
| CHECKED    | 05/25/2018 | LANG |   |                   |
| ENG. APPR. |            |      |   |                   |
| MFG. APPR. |            |      |   |                   |
| Q.A.       |            |      | DWG. No:  | <b>DYN-EP-B21</b> |
| COMMENTS:  |            |      |   |                   |



## Certificate of Environment Protection

### 環保證明書

|                              |   |
|------------------------------|---|
| <b>Customer:</b><br>客戶名稱:    | <b>Company:</b> _____ <b>Address:</b> _____<br><b>Phone Number:</b> _____ - _____ - _____ |
| <b>Issue Date:</b>           | 05/25/2018  |
| <b>Product Model Number:</b> | B21   |

**Dynatron Corporation** hereby declares and certifies that all components manufactured are RoHS compliant according to the definitions and restrictions given by the European Union's Restriction (Directive 2002/95/EC) (Decision 2011/65/EU) RoHS 2, on the restriction of the use of certain Hazardous Substances in the electrical and electronic equipment. Also, compliance to the most recent list of substances on the REACH candidate list.

**Number of substances on the Candidate List: 168 (last updated: 17/12/2015)**

No exemptions are claimed in order for the part to be compliant with the RoHS directive.

**Dynatron Corporation / 政久興業股份有限公司** 證明所有產品, 零件 (包括附屬品, 包裝類) 之環境管理物質完全符合 RoHS, WEEE, 及該環保標準之規定, 並承諾遵循以上之證明。

**Dynatron Corporation.**  
33200 Western Ave,  
Union City, CA 94587  
www.Dynatron-corp.com

**Title (職務):** \_\_\_\_\_ ASSISTANT-MANAGER \_\_\_\_\_

**Signature (簽字):** \_\_\_\_\_ *Alan Lee* \_\_\_\_\_

Date: 05 / 25 / 2018

