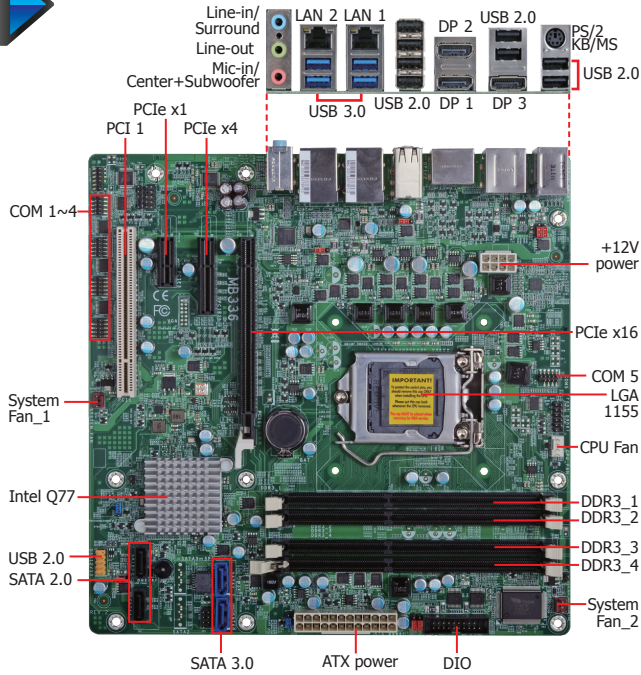




MB336-NRM

Desktop

Q77

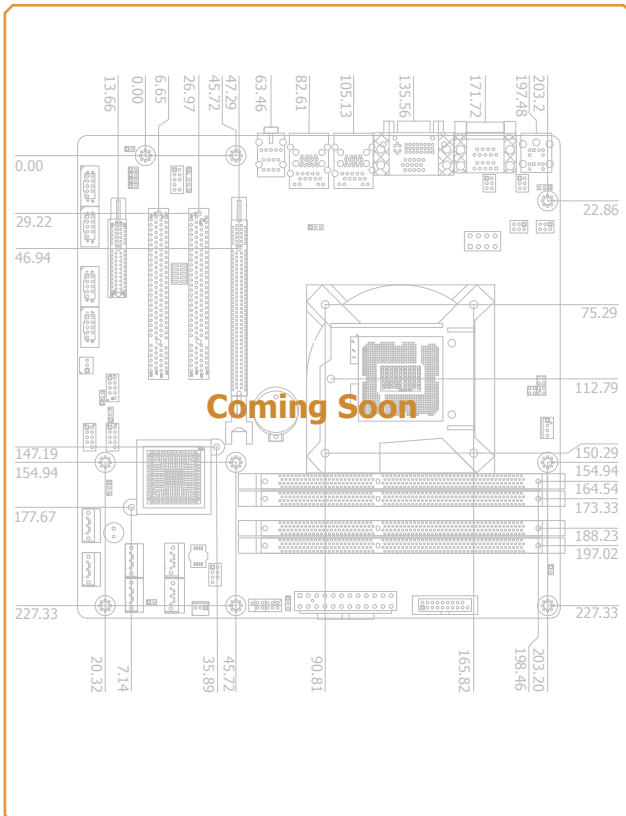


Features

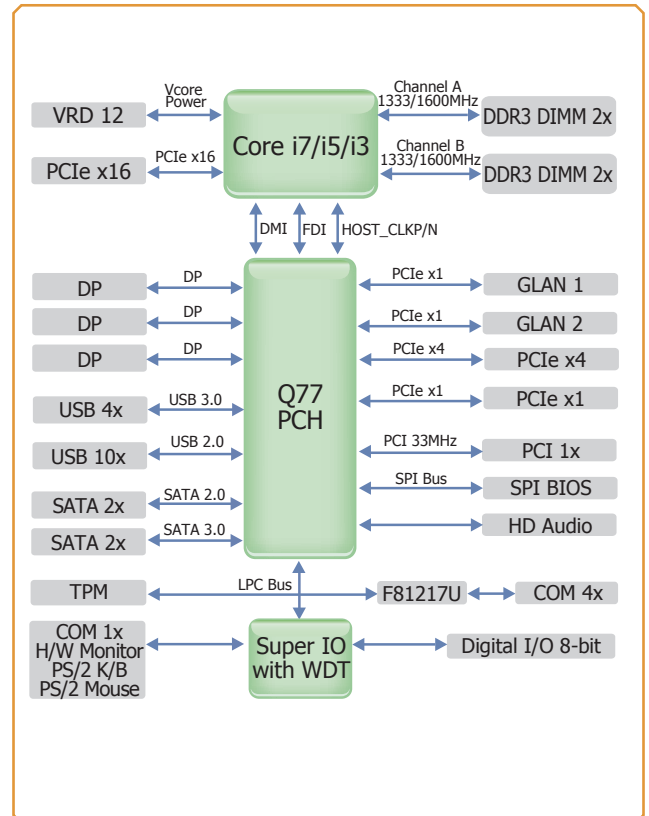
MEMORY	4 DDR3 DIMM up to 32GB
EXPANSION	1 PCIe x16 1 PCIe x4 1 PCIe x1 1 PCI
DISPLAY OUTPUTS	3 DP
LAN	2 LAN
COM	5 COM
USB	14 USB: 4 USB 3.0, 10 USB 2.0
STORAGE	4 SATA: 2 SATA 3.0, 2 SATA 2.0
DIO	8-bit DIO



Mechanical Drawing



Block Diagram



MB336-NRM

► Specifications

PROCESSOR

- LGA 1155 socket for:
 - 3rd generation Intel® Core™ processors (22nm process technology)
 - : Intel® Core™ i7-3770 (8M Cache, up to 3.9GHz); 77W
 - : Intel® Core™ i5-3550S (6M Cache, up to 3.7GHz); 65W
 - : Intel® Core™ i3-3220 (3M Cache, 3.3GHz); 55W
 - : Intel® Pentium® G2120 (3M Cache, 3.1 GHz); 65W
 - 2nd generation Intel® Core™ processors (32nm process technology)
 - : Intel® Core™ i7-2600 (8M Cache, up to 3.8 GHz); 95W
 - : Intel® Core™ i5-2400 (6M Cache, up to 3.4 GHz); 95W
 - : Intel® Core™ i3-2120 (3M Cache, 3.3 GHz); 65W
 - : Intel® Pentium® G850 (3M Cache, 2.9 GHz); 65W

CHIPSET

- Intel® Q77 Express chipset

SYSTEM MEMORY

- Four 240-pin DDR3 DIMM sockets
- Supports DDR3 1333/1600MHz (3rd generation processors)
- Supports DDR3 1066/1333MHz (2nd generation processors)
- Supports dual channel memory interface
- Supports up to 32GB system memory
- DRAM device technologies: 1Gb, 2Gb and 4Gb DDR3 DRAM technologies are supported for x8 and x16 devices, unbuffered, non-ECC

EXPANSION SLOTS

- 1 PCIe x16
 - Supports Gen 3.0 (3rd generation processors)
 - Supports Gen 2.0 (2nd generation processors)
- 1 PCIe x4 slot (PCIe 2.0)
- 1 PCIe x1 slot (PCIe 2.0)
- 1 PCI slot (PCI 2.3)

ONBOARD GRAPHICS FEATURES

- Intel® HD Graphics 4000 (i7); HD Graphics 2500 (i5/i3/Pentium)
- Display ports: 3 DP
- DP: resolution up to 2560x1600 @ 60Hz
- Intel® Clear Video Technology
- Intel® Advanced Vector Extensions (Intel® AVX) Instructions
- Supports DirectX 11 and OGL 3.0

ONBOARD AUDIO FEATURES

- Realtek ALC888 5.1-channel High Definition Audio
- Audio outputs: Mic-in/Center+Subwoofer, line-in/surround and line out
- S/PDIF audio interface

ONBOARD LAN FEATURES

- Intel® WG82579LM with iAMT8.0 Gigabit Ethernet Phy
- Intel® WG82574L PCI Express Gigabit Ethernet controller
- Integrated 10/100/1000 transceiver
- Fully compliant with IEEE 802.3, IEEE 802.3u, IEEE 802.3ab

SERIAL ATA (SATA) INTERFACE

- 2 SATA 3.0 ports with data transfer rate up to 6Gb/s
- 2 SATA 2.0 ports with data transfer rate up to 3Gb/s
 - SATA port 4 provides adequate space for SATA DOM
- Integrated Advanced Host Controller Interface (AHCI) controller
- Supports RAID 0/1/5/10

INTEL ACTIVE MANAGEMENT TECHNOLOGY (AMT)

- Supports iAMT8.0
- Out-of-band system access
- Remote troubleshooting and recovery
- Hardware-based agent presence checking
- Proactive alerting
- Remote hardware and software asset tracking

TRUSTED PLATFORM MODULE (TPM)*

- Provides a Trusted PC for secure transactions
- Provides software license protection, enforcement and password protection

USB INTERFACE

- XHCI Host Controller supports up to 4 super speed USB 3.0 ports

REAR PANEL I/O PORTS

- 1 mini-DIN-6 port for PS/2 mouse/keyboard
- 3 DP ports
- 2 RJ45 LAN ports
- 4 USB 3.0 ports
- 8 USB 2.0 ports
- Line-in/surround, Line out, and Mic-in/Center+Subwoofer jacks

I/O CONNECTORS

- 1 connector for 2 external USB 2.0 ports
- 5 connectors for 5 external RS232 serial ports (2.0mm pitch)
- 1 8-bit Digital I/O connector
- 1 front audio connector for line-out and mic-in jacks
- 1 S/PDIF connector
- 4 Serial ATA ports
- 1 24-pin ATX power connector
- 1 8-pin 12V power connector
- 1 chassis intrusion connector
- 1 front panel connector
- 3 fan connectors

BIOS

- AMI BIOS
 - 64Mbits SPI BIOS

ENERGY EFFICIENT DESIGN

- Supports ErP Lot6 power saving*
- ACPI v3.0 specification
- System Power Management
- Wake-On-Events include:
 - Wake-On-PS/2 KB/Mouse
 - Wake-On-USB KB/Mouse
 - Wake-On-LAN
 - RTC timer to power-on the system
- CPU stopped clock control
- AC power failure recovery

DAMAGE FREE INTELLIGENCE

- Monitors CPU/system temperature and overheat alarm
- Monitors VCore/5V/3.3V/V_DIMM/12V/5VSB voltages and failure alarm
- Monitors CPU/system fan speed and failure alarm
- Read back capability that displays temperature, voltage and fan speed
- Watchdog timer function

POWER CONSUMPTION

- TBD

OS SUPPORT

- TBD

TEMPERATURE

- Operating: 0°C to 60°C
- Storage: -20°C to 85°C

HUMIDITY

- 10% to 90%

DIMENSIONS

- microATX form factor
- 244mm (9.6") x 244mm (9.6")

*Optional and is not supported in standard model. Please contact your sales representative for more information.

► Packing List

- 1 MB336-NRM motherboard
- 1 Serial ATA data cable
- 1 I/O shield
- 1 DVD
- 1 QR (Quick Reference)

► Optional Items

- USB port cable
- Serial ATA data cable
- I/O shield