

Features

- Solid aluminum die-casting chassis
- IP66 compliant front panel / IP69K (option)
- VGA and DVI-D input
- System power LED light
- Wide range DC 9~36V power input
- High Brightness LCD for option
- Support protective AR glass for option (non-touch version)

Specifications

| I/O Port | |
|----------------------|---|
| VGA | 1 x VGA |
| DVI | 1 x DVI-D |
| OSD Control Membrane | OSD on rear side On board controller, extendable key pad from connector |
| Power | 1 x 3-pin terminal block for DC 9~36V power input |
| Others | 1 x USB type A for touch control Optional I/O: 1 x Line in by phone jack 1 x RS-232 DB-9 for touch control |

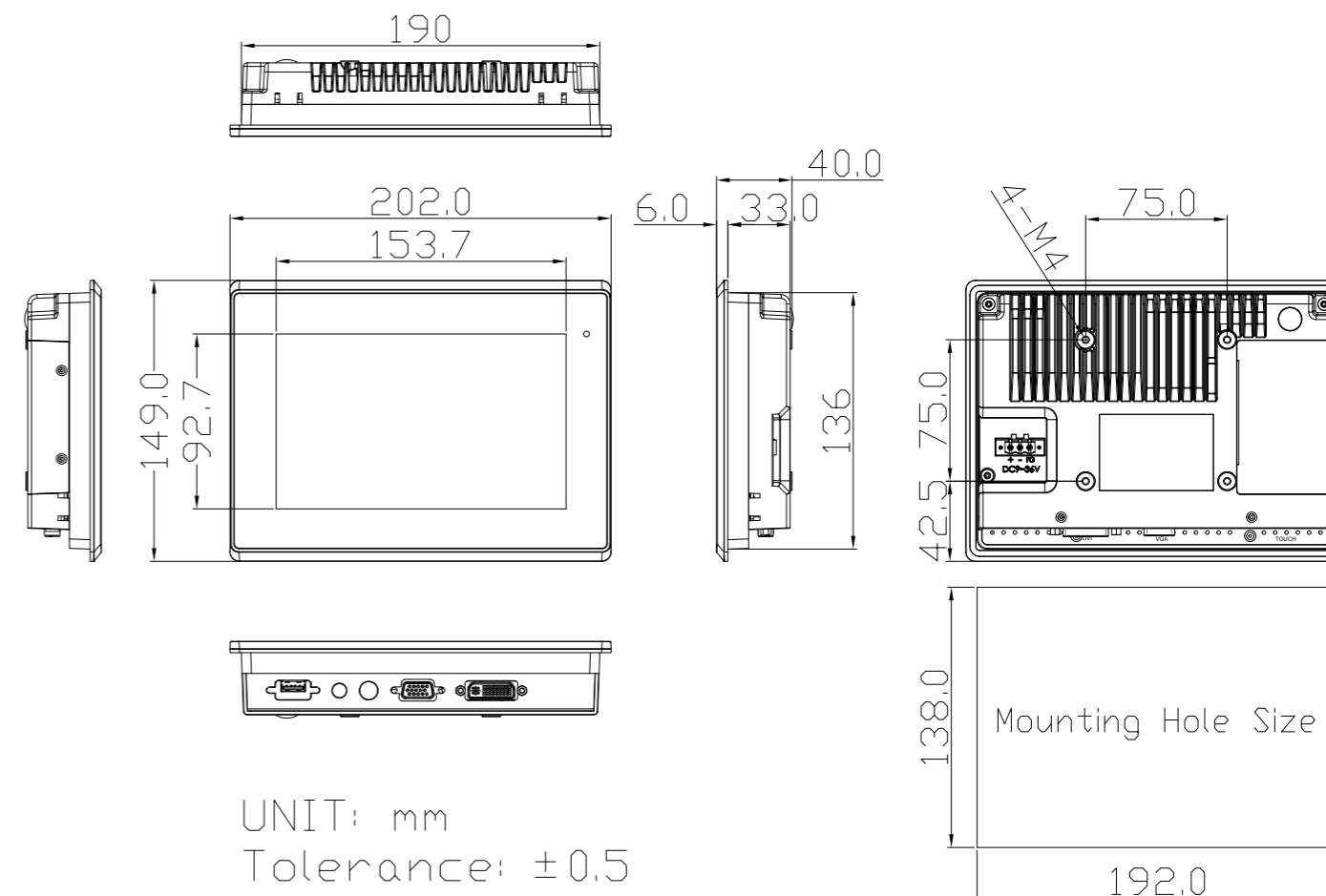
| Display | Standard | High Brightness Optional |
|--------------------------------|-----------------|--------------------------|
| Display Type | 7" TFT LCD | 7" TFT LCD |
| Max. Resolution | 800 x 480 | 800 x 480 |
| Max. Color | 262K | 262K |
| Luminance (cd/m ²) | 350 | 1000 |
| View Angle | 140(H) / 110(V) | 140(H) / 130(V) |
| Contrast | 400:1 | 400:1 |
| Backlight Lifetime | 40,000 hrs | 50,000 hrs |

| Touch Screen | |
|-----------------------|--|
| Type | Resistive Touch (For ARCDIS-107 model) Projected Capacitive Touch (For ARCDIS-107P model) Glass-AR (For ARCDIS-107G model) |
| Interface | USB default (Resistive / Projected Capacitive Touch) RS-232 Option (Resistive Touch) |
| Light Transmission(%) | Resistive Touch : over 80% Projected Capacitive Touch : over 90% |

| Power | |
|-------------------|------------------------------------|
| Power Input | DC 9~36V |
| Power Consumption | MAX: 4.2W (107) / MAX: 4.2W (107P) |

| Mechanical | |
|--------------------|--|
| Construction | Aluminum die-casting chassis |
| Mounting | Panel mount / VESA mount 75 x 75 |
| IP Rating | IP66 compliant front panel / IP69K(option) |
| Dimensions (WxHxD) | 202 x 149 x 40 mm |
| Net Weight | 1.1 kg |

Dimensions



| Environmental | |
|-----------------------|--|
| Operating Temperature | 0~50°C / -20~60°C for option |
| Storage Temperature | -30~70°C |
| Storage Humidity | 10 to 90% @ 40°C, Non-condensing, without touch screen |
| Certificate | CE/FCC, Class A |

| Ordering Information | |
|----------------------|--|
| ARCDIS-107 | 7" WVGA FPD Industrial Display, Resistive Touch Window, VGA, DVI input, 5 keys Rear OSD, DC 9~36V power input with adapter, Aluminum Die-casting Chassis. |
| ARCDIS-107P | 7" WVGA FPD Industrial Display, Projected Capacitive touch screen, VGA, DVI input, 5 keys Rear OSD, DC 9~36V power input with adapter, Aluminum Die-casting Chassis. |
| ARCDIS-107G | 7" WVGA FPD Industrial Display, Glass screen, VGA, DVI input, 5 keys Rear OSD, DC 9~36V power input with adapter, Aluminum Die-casting Chassis. |