

EC70M-KU

ULT

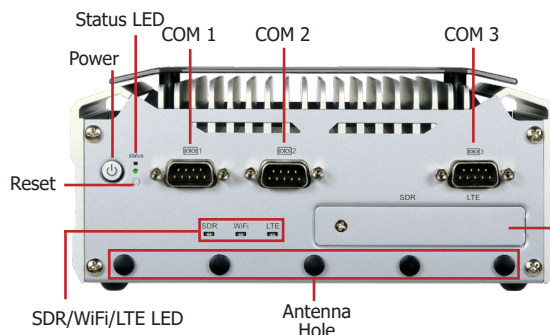


Features

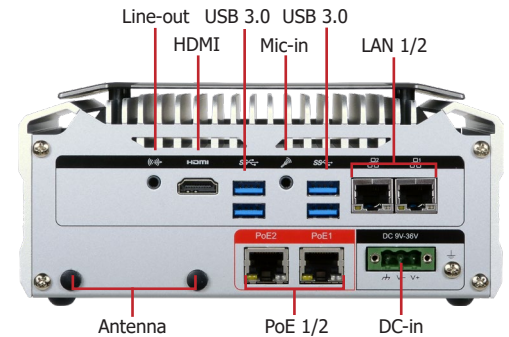
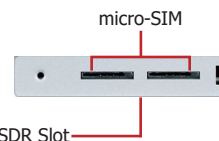
- Compact and Fanless Embedded System
- 4GB/8GB DDR4 memory onboard
- 1x mSATA + 2x SATA 3.0 for storage + 6 mini PCIe
- Supports 7 Wireless Antenna Hole
- Rich I/O ports: 2 PoE, 2 Intel GbE, 3 COM, 4 USB 3.0, 2 micro-SIM



Panel

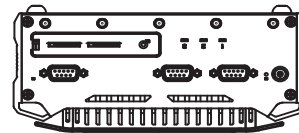


Front View

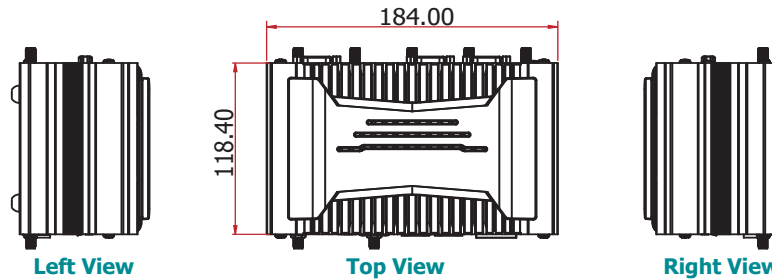


Rear View

Dimensions



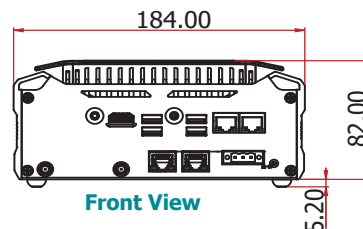
Rear View



Left View

Top View

Right View

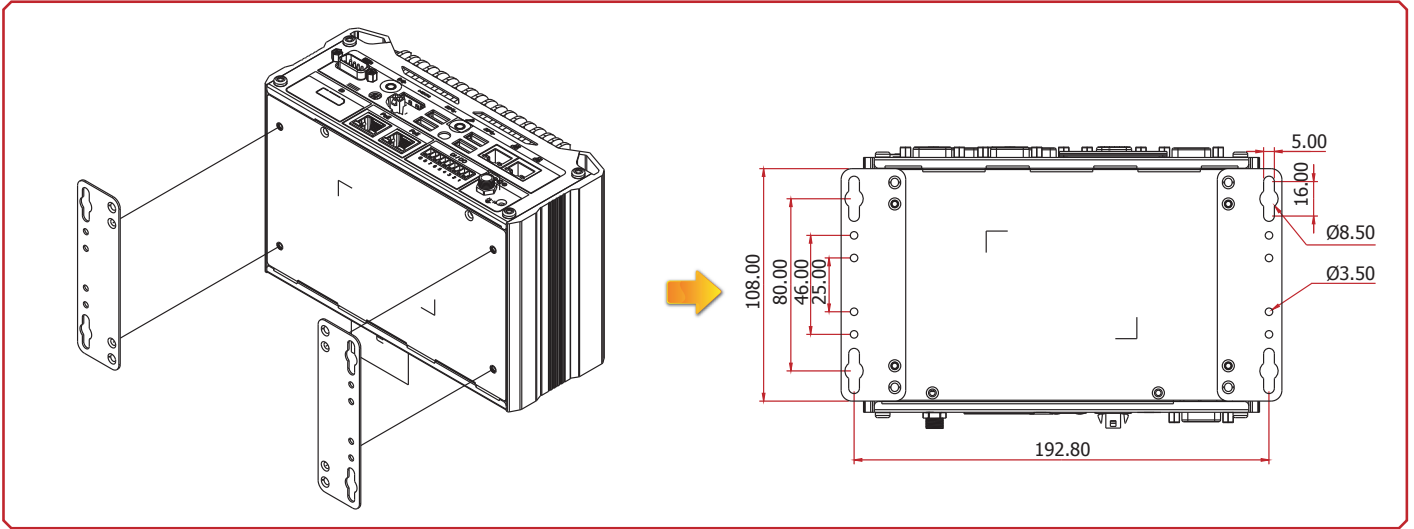


Front View

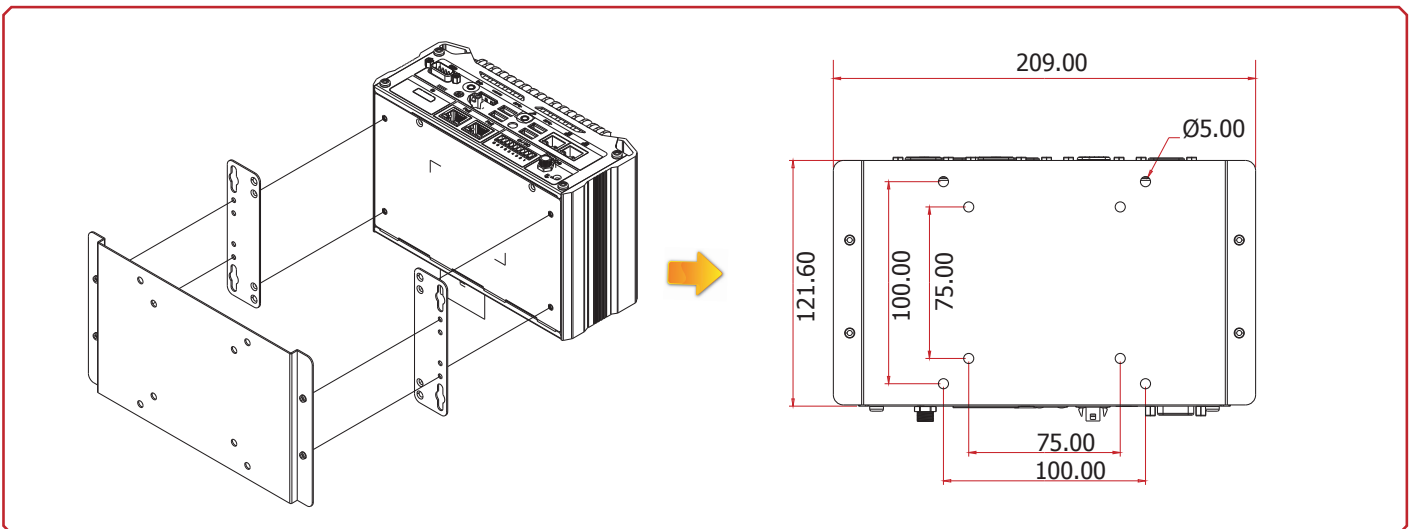
► Specifications

SYSTEM	Processor	6th/7th Generation Intel® Core™ Processors, FCBGA 1356 Intel® Core™ i5-7300U Processor, Dual Core, 3M Cache, 2.6GHz (3.5GHz), 15W Intel® Core™ i3-7100U Processor, Dual Core, 3M Cache, 2.4GHz, 15W
	Memory	4GB/8GB Memory Onboard Dual Channel DDR4 2400MHz
	BIOS	Insyde SPI 128Mbit
GRAPHICS	Controller	Intel® HD Graphics GT Series
	Feature	OpenGL 5.0, DirectX 12, OpenCL 2.1 HW Decode: AVC/H.264, MPEG2, VC1/WMV9, JPEG/MJPEG, HEVC/H265, VP8, VP9 HW Encode: AVC/H.264, MPEG2, JPEG, HEVC/H265, VP8, VP9
	Display	1 x HDMI HDMI: resolution up to 4096x2160 @ 24Hz or 2560x1600 @ 60Hz
STORAGE		1 x mSATA 2 x 2.5" SATA 3.0
EXPANSION	Interface	1 x Full-size Mini PCIe (PCIe/USB2.0/SATA3.0) 1 x Full-size Mini PCIe (PCIe x2/USB2.0/GPIO) + micro-SIM 1 x Full-size Mini PCIe (USB3.0) + micro-SIM 1 x Full-size Mini PCIe (PCIe x1/USB2.0) 1 x Full-size Mini PCIe (USB2.0) 1 x Half-size Mini PCIe (PCIe/USB2.0)
AUDIO	Audio Codec	Realtek ALC888 5.1-channel
ETHERNET	Controller	1 x Intel® I219LM/I219V with iAMT9.5 PCIe (10/100/1000Mbps) (only Core i7/i5 supports iAMT) 1 x Intel® I210AT PCIe (10/100/1000Mbps)
LED	Indicators	1 x SDR LED 1 x LTE LED 1 x WiFi LED
FRONT I/O	Serial	2 x RS-232/422/485 1 x RS-232
	micro-SIM	2 x micro-SIM
	Buttons	1 x Power Button
	Antenna	5 x Wireless Antenna Hole
REAR I/O	Ethernet	2 x GbE (RJ-45) 2 x PoE (supports 802.3af)
	USB	4 x USB 3.0 (type A)
	Display	1 x HDMI
	Audio	1 x Line-out 1 x Mic-in
	Antenna	2 x Wireless Antenna Hole
	WATCHDOG TIMER	Output & Interval
SECURITY	TPM	TPM 1.2 or 2.0 (default 2.0)
POWER	Type	Wide Range 9~36V DC-in
	Connector	DC Jack
OS SUPPORT		Ubuntu 16.04 (64-bit)
MECHANISM	Construction	Metal Sheet
	Mounting	Wall/VESA/DIN Rail Mount
	Dimensions (W x H x D)	184mm x 82mm x 118.4mm
	Weight	TBD
ENVIRONMENT	Operating Temperature	-20 to 60°C
	Storage Temperature	-40 to 85°C
	Relative Humidity	5 to 95% RH (non-condensing)
STANDARDS AND CERTIFICATIONS	Shock	Operating: 3G, 11ms Non-Operating: 5G, 11ms
		Vibration
	Certification	TBD

► Wall Mounting



► VESA Mounting



► DIN Rail Mounting

