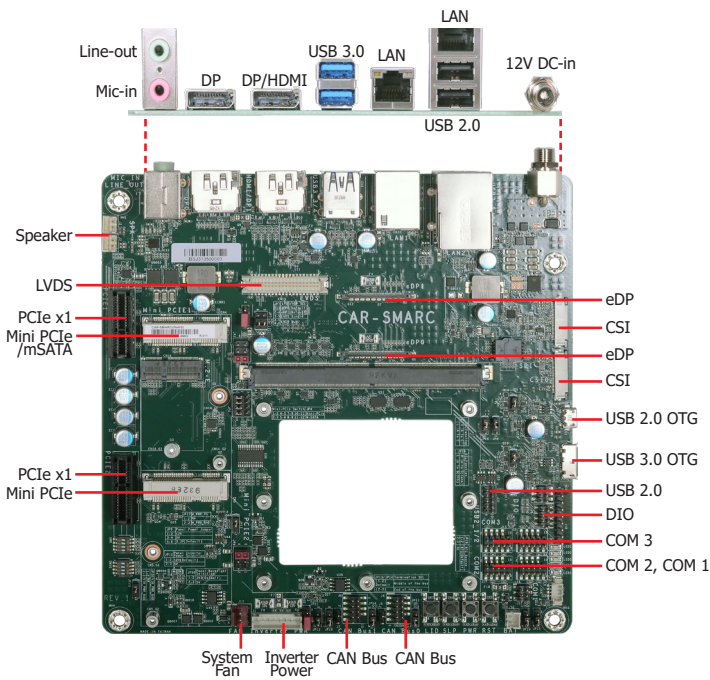


## CAR-SMARC

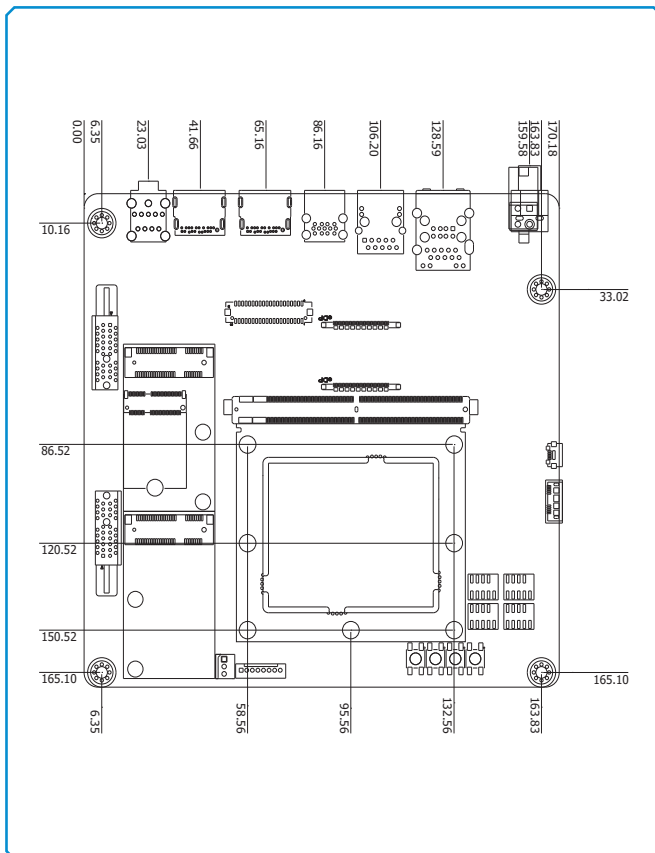


### Features

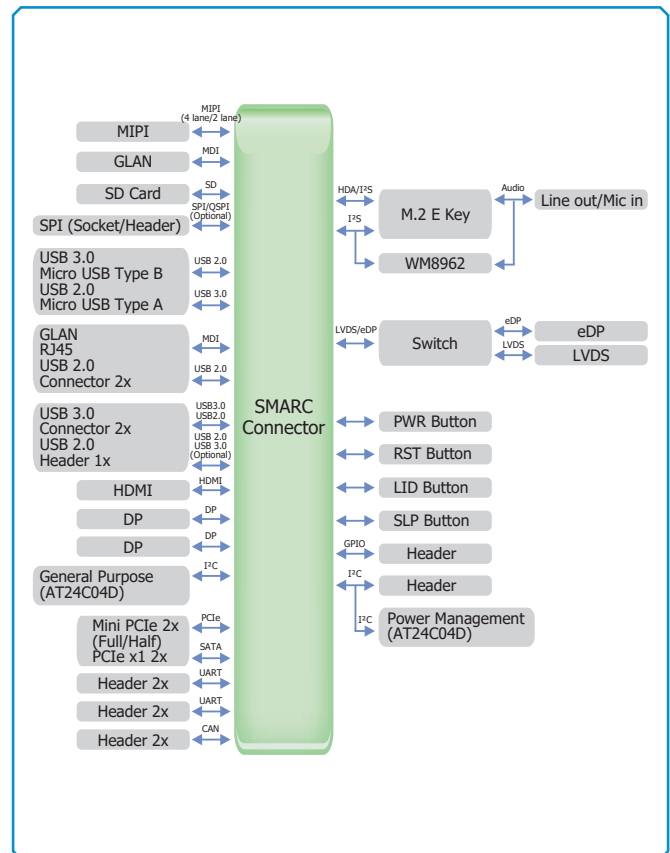
- SMARC™ specification revision 2.0
- Multiple displays: LVDS, HDMI, DP, eDP
- Rich I/O: 2 GbE, 3 USB 3.0, 3 USB 2.0
- Mini-ITX form factor



### Mechanical Drawing



### Block Diagram



## ► Specifications

<b>GRAPHICS</b>	<b>Display</b>	1 x LVDS 2 x eDP 1 x HDMI/DP 1 x DP	
<b>EXPANSION</b>	<b>Interface</b>	2 x Full-size Mini PCIe 2 x PCIe x1 1 x SDIO 1 x mSATA 4 x UART (2 x TX/RX, 2 x Tx/Rx/RTS/CTS) 1 x SPI 4 x I <sup>2</sup> C	
<b>AUDIO</b>	<b>Interface</b>	1 x I <sup>2</sup> S	
<b>I/O</b>	<b>Ethernet</b>	2 x GbE (RJ-45)	
	<b>USB</b>	2 x USB 3.0 (Type A) 1 x USB 3.0 OTG (Type B) 2 x USB 2.0 (Type A) 1 x USB 2.0 OTG (Type B) 1 x USB 2.0 (Header)	
	<b>CAN Bus</b>	1 x CAN/CAN-FD	
	<b>Camera</b>	1 x MIPI-CSI (2 lane) 1 x MIPI-CSI (4 lane)	
	<b>DIO</b>	1 x 12-bit DIO	
	<b>Audio</b>	1 x Line-out 1 x Mic-in	
<b>POWER</b>	<b>Type</b>	12V DC-in Jack	
	<b>Consumption</b>	4-pin ATX 12V power	
<b>ENVIRONMENT</b>	<b>Temperature</b>	Operating: -40 to 85°C	Storage: -40 to 85°C
	<b>Humidity</b>	Operating: 5 to 90% RH	Storage: 5 to 90% RH
	<b>MTBF</b>	TBD	
<b>MECHANICAL</b>	<b>Dimensions</b>	Mini-ITX form factor	170mm (6.7") x 170mm (6.7")
	<b>Compliance</b>	SMARC™ specification revision 2.0	