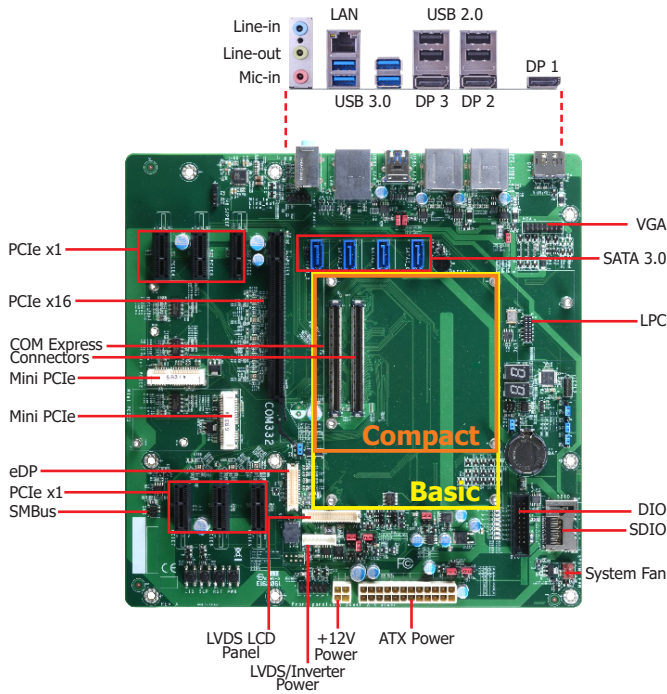




# COM332-B (R.A)

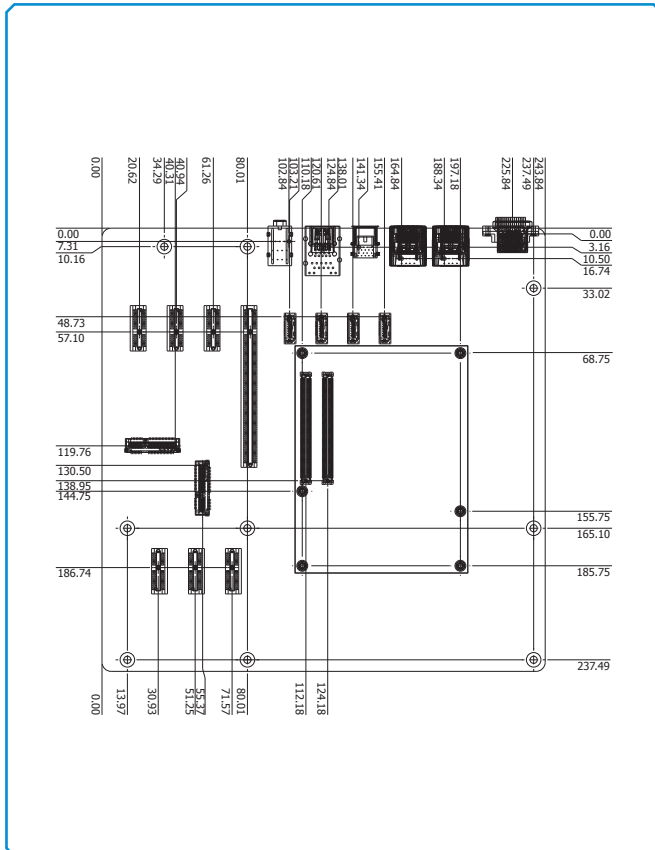


## Features

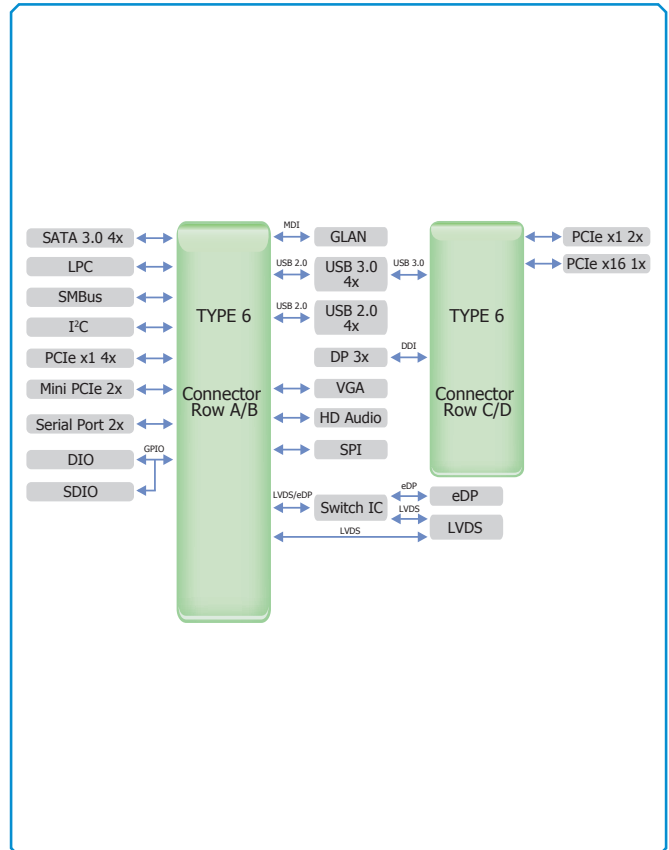
- COM Express® R2.1, Pin-out Type 6
- Supports Compact and Basic modules
- Multiple displays: VGA, LVDS, DP, eDP
- Rich I/O: 1 GbE, 4 USB 3.0, 4 USB 2.0
- microATX form factor



## Mechanical Drawing



## Block Diagram



## Specifications

<b>GRAPHICS</b>	<b>Display</b>	1 x VGA 1 x LVDS/eDP (eDP available upon request) 3 x DP 1 x eDP/LVDS (LVDS available upon request)	
<b>EXPANSION</b>	<b>Interface</b>	1 x PCIe x16 6 x PCIe x1 2 x Full-size Mini PCIe 1 x SDIO	
<b>AUDIO</b>	<b>Audio Codec</b>	Realtek ALC888S-VD2-GR	
<b>REAR I/O</b>	<b>Ethernet</b>	1 x GbE (RJ-45)	
	<b>USB</b>	4 x USB 3.0 4 x USB 2.0	
	<b>Display</b>	3 x DP	
	<b>Audio</b>	1 x Line-in 1 x Line-out 1 x Mic-in	
<b>INTERNAL I/O</b>	<b>Serial</b>	2 x Serial Interface Connector (TX/RX)	
	<b>Display</b>	1 x VGA (2.54mm) 1 x LVDS LCD Panel Connector 1 x LCD/Inverter Power 1 x eDP LCD Panel Connector	
	<b>Audio</b>	1 x Audio (Line-out/Mic-in) 1 x S/PDIF	
	<b>SATA</b>	4 x SATA 3.0 (up to 6Gb/s)	
	<b>DIO</b>	1 x 8-bit DIO	
	<b>LPC</b>	1 x LPC	
	<b>SMBus</b>	1 x SMBus	
	<b>POWER</b>	<b>Type</b>	12V, 5VSB, VCC_RTC (ATX mode)
<b>Connector</b>		4-pin ATX 12V power	24-pin ATX power
<b>RTC Battery</b>		CR2032 Coin Cell	
<b>ENVIRONMENT</b>	<b>Temperature</b>	Operating: 0 to 60°C	Storage: -40 to 85°C
	<b>Humidity</b>	Operating: 5 to 90% RH	Storage: 5 to 90% RH
	<b>MTBF</b>	488,117 hrs @ 25°C; 253,684 hrs @ 45°C; 136,621 hrs @ 60°C Calculation Model: Telcordia Issue 2, Method Case 3 Environment: GB, GC – Ground Benign, Controlled	
	<b>MECHANICAL</b>	<b>Dimensions</b>	microATX Form Factor 244mm (9.6") x 244mm (9.6")
	<b>Compliance</b>	PICMG COM Express® R2.1, Type 6 Basic, Compact Modules	

## Ordering Information

Model Name	P/N	GbE	USB 3.0	USB 2.0	Power	Thermal	Temp.
COM332-B (R.A)	770-CM3321-000G	1	4	4	ATX/AT	Active	0 to 60°C

## Packing List

• 1 COM332-B (R.A) board	
• 1 Serial ATA data cable (Length: 500mm)	332-553001-005G
• 1 VGA cable	A81-012000-000G

## Optional Items

• Serial ATA data cable (Length: 500mm)	332-553001-005G
• LPC EXT-RS232 module (4 x RS232 ports)	770-EXTRS1-000G
• LPC EXT-RS485 module (4 x RS485 ports)	770-EXTRS1-100G
• I/O shield	A49-COM332-010G