

Product Change Notification

Change Title	CF to SATA Module Controller Package Change Notification	Date	2021/07/06	PCN No	E2103
PCN level:	Major				
Models:	E2S4-2101				
Category:	Production				

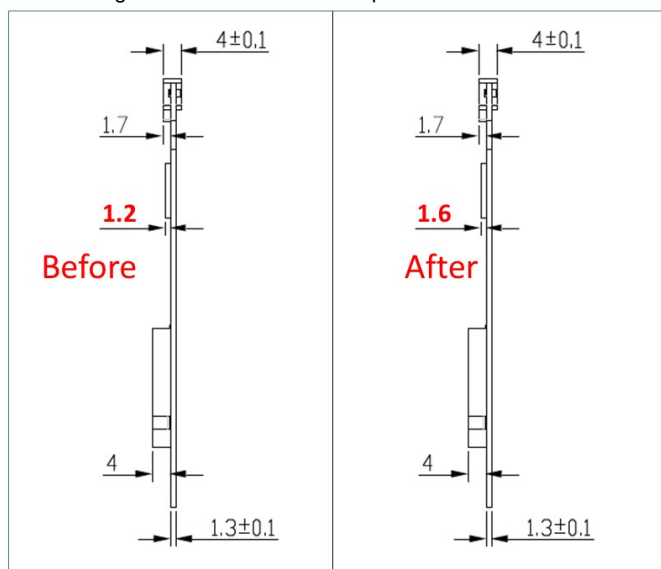
Description:

This PCN is being issued to address that **Innodisk CF to SATA Module is going to change controller JMD330 package from TQFP to LQFP.** The purpose is to improve assembly capacity and cycle issues because assembly houses (ASE/SPIL) capacities are very tight then cause controller shortage. 64LQFP(10x10) is available at JMicon's subcontractor CWTI, but 64TQFP(10x10) is not available.

Model Name	Current Part Number
E2S4-2101	E2S4-2101-C1

Summary of Change

The following shows the dimension comparison between TQFP and LQFP controller package at CF to SATA module .



Key Milestone Dates

Effective Date: **2021/09/16**

*Milestone dates are subject to change based on business and operational conditions.

Customer Impact of Change and Recommended Action:

Innodisk anticipates no negative impact to customer's application. There is no functional implication to customer's application but improve reliability, and qualification of these changes may not be necessary.

Notes:

No response from customers will be deemed as acceptance of the change and the change will be implemented pursuant to the key milestones. Innodisk apologizes for any inconvenience caused by this and appreciate your understanding. Innodisk promises that new items deliver quality and reliability for your application. If you have any further inquiry of our products or if you have any question about the specification of it, please contact Innodisk sales person. Thank you for your confidence in Innodisk in the past and looking forward to serving you in the near future.

PCN Notice Revision History:		
Date of Revision:	Revision Number:	Remark:
2021/07/06	E2103	First release