

Features

- 15" Open frame design industrial display
- Metal front panel
- OSD at rear side
- VESA mount 75 x 75
- Optional resistive touch panel, (USB interface or RS-232)
- Default DC 9~36V input
- VGA, DVI, HDMI, and DP input

Specifications

I/O Port	
VGA	1 x VGA
DVI	1 x DVI-D
DP	1 x DP
HDMI	1 x HDMI
Audio	1 x Audio Line-in phone jack
Power Input	1 x 3 pins terminal block for DC power input
Others	1 x USB type B for touch control 1 x RS-232 DB-9 for touch control (option)
OSD Control	MEMBRANE, OSD on the rear side

Display	
Display Type	15" TFT-LCD
Max. Resolution	1024 x 768
Max. Color	16.2M
Luminance (cd/m ²)	300
View Angle	176(H) / 176(V)
Contrast	2000:1
Backlight Lifetime	70,000 hrs

Touch Screen	
Type	Resistive Touch
Interface	USB default RS-232 option
Light Transmission(%)	80%

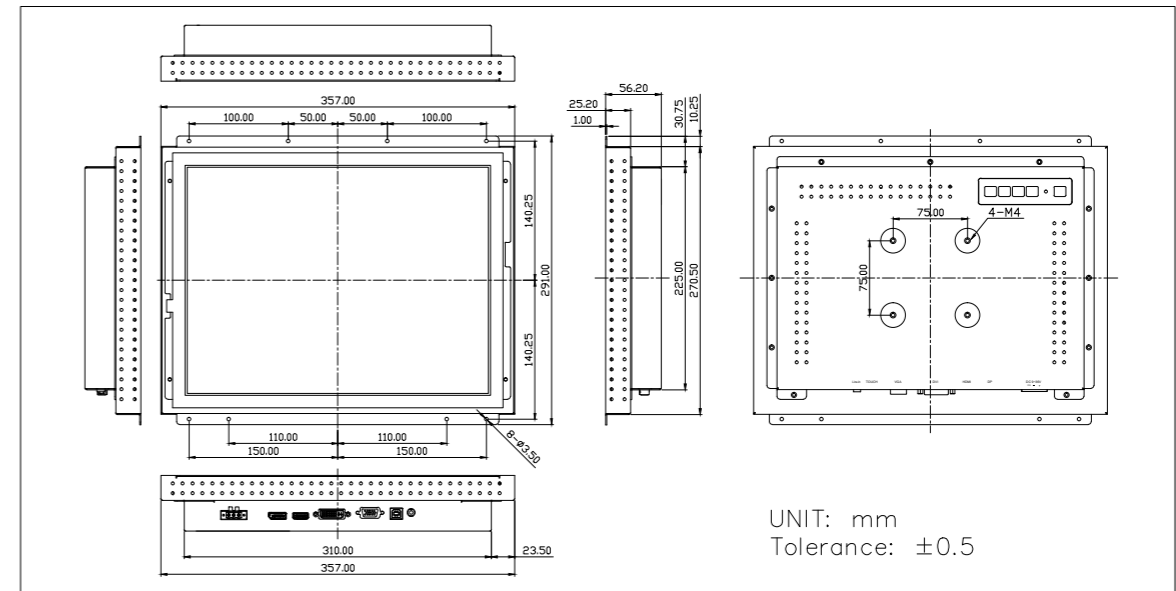
Power	
Power Input	DC 9~36V
Power Consumption	OPD-1156A(T): 13W(MAX)

Mechanical	
Construction	Steel Chassis
Mounting	Panel mount / VESA mount 75 x 75
Dimensions (WxHxD)	357 x 291 x 56.2 mm
Net Weight	3.7 kg

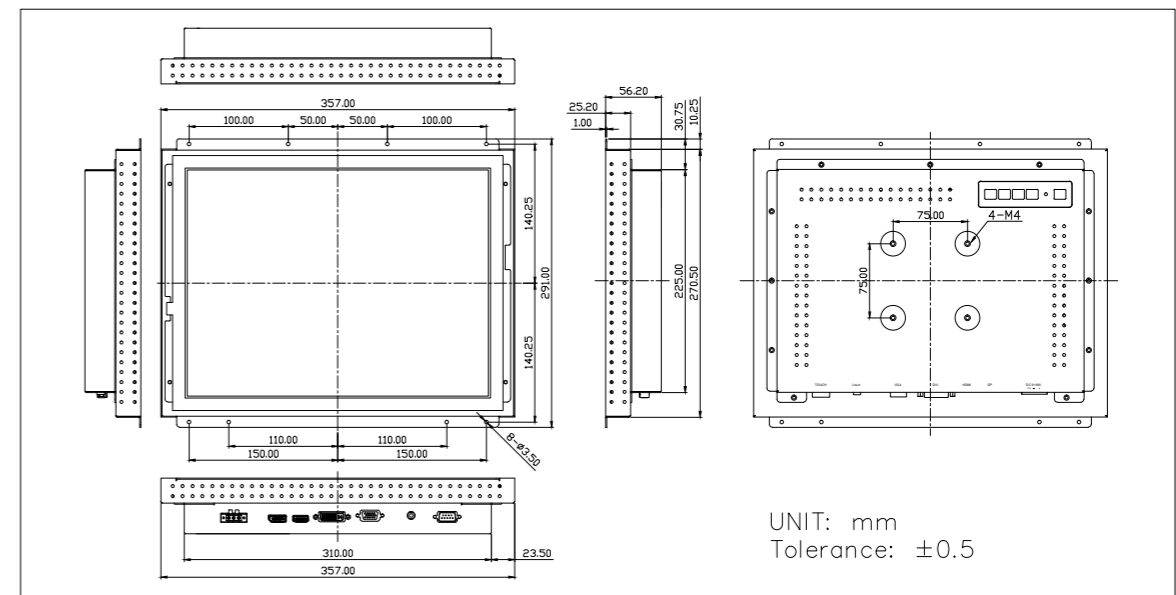
Environmental	
Operating Temperature	0~50°C
Storage Temperature	-30~70°C
Humidity	10 to 95% @ 40°C, Non-condensing
Certificate	CE/FCC, Class A

Dimensions

OPD-1156A USB



OPD-1156A RS232



Ordering Information

- | | |
|--------------|---|
| OPD-1156A | 15" 1024x768 industrial display, VGA, DVI-D,HDMI,DP input, 5 keys front OSD, DC 9~36V power input, no touch with protective glass, steel chassis. |
| OPD-1156A(T) | 15" 1024x768 industrial display, VGA, DVI-D,HDMI,DP input, 5keys front OSD, DC 9~36V power input, 5-wire Resistive Touch, steel chassis. |