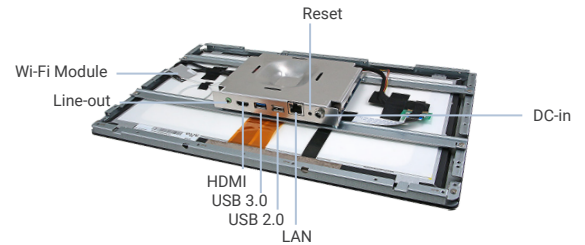


Features

- 15.6 inch PCAP Touch Panel
- Intel® Atom™ x5-Z8350 Quad Core 1.44GHz Processor Onboard
- 2GB RAM or 4GB RAM Onboard
- 32GB or 64GB eMMC Onboard
- 10/100 Ethernet
- M.2 B-Key (3042) Slot
- Micro SD Card Slot
- SIM Card Slot for LTE Module
- USB 3.0, USB 2.0, Micro USB
- 802.11 b/g/n/ac Wi-Fi
- Support Windows 10 or Ubuntu OS
- DC12~24V input

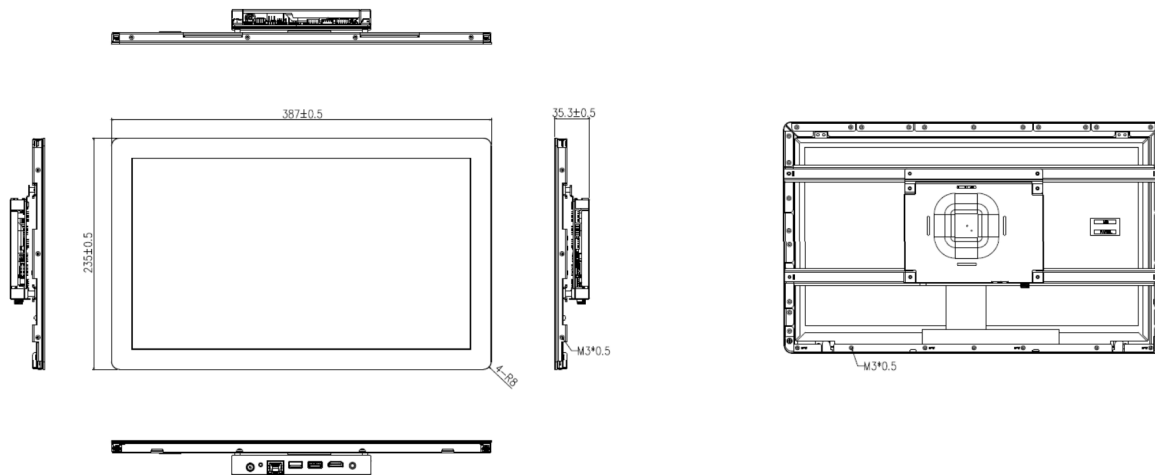


Specifications

System	
CPU	Intel® Atom™ x5-Z8350 Quad Core 1.44 GHz Processor Onboard, up to 1.92 GHz
System Chipset	SoC
System Memory	2GB or 4GB DDR3L RAM Onboard
Storage	32GB or 64GB eMMC Onboard
WLAN	802.11 b/g/n/ac
Multiple Display	Supports 2nd Display via external HDMI
OS Support	2019 Windows 10 (64-bit) Ubuntu 19.04 (64-bit)
Panel	
LCD Size	15.6"
LCD Panel	TFT LCD Full HD
Resolution	1920x1080
Pixel Pitch	179.25(H) x 179.25(V)
Luminance	220 cd/m ²
Contrast Ratio	800
Viewing Angle	85 (U), 85 (D), 85 (L), 85 (R)
Response Time	30ms
Backlight	LED
Touch Type	Projective Capacitive
Touch Light Transmission	86%
External I/O	
Power	1 x Power Jack
HDMI	1 x HDMI
USB	1 x USB 2.0 Type A 1 x USB 3.0 Type A
LAN	1 x RJ45
Audio	1 x Headphone Jack
Other	1 x Reset Button

Internal I/O	
USB	1 x Micro USB 1 x USB Interface 1 x USB Touch Interface
Expansion	1 x M.2 B-Key (3042) 1 x Micro SD Card Slot
SIM Socket	1 x Micro SIM Card Socket for LTE Module
Touch Button	1 x Touch Button Control (Power/Volume/Brightness)
Audio	1 x AMIC Interface 1 x DMIC Interface 1 x Speaker Interface
I2C	1 x JSEN1 Interface (I2C x2) 1 x JTP1 Interface (I2C)
COM Port	1 x RS232 (Tx/Rx/Rts/Cts) Interface 1 x RS232 (Tx/Rx/Rts/Cts), RS485(Tx/Rx/Rts/Cts)
GPIO	1 x 16-bit GPIO 16-bit
Power	1 x Power Interface (12~24V) 1 x RTC Battery interface
Other	1 x Debug port (Tx/Rx)

OFT-15W03 System Dimensions (Unit: mm)



Mechanical & Environmental

Power Requirement	DC 12 ~ 24V Input
Power Type	DC Jack, DC Input 4-pin Header
Operating Temp	0°C ~ 40°C
Storage Temp	-10°C ~ 60°C
Operating Humidity	40% ~ 95% Relative Humidity, Non-condensing
Certification Information	CE, FCC Class A
Dimension	15.24" x 9.25" x 1.39" (387 x 235 x 35.3mm)
Product Weight	3.3 lbs (1.5kg)

Ordering Info

OFT-15W03-32WN	15.6" Open Frame Tablet, Intel Atom x5-Z8350 Quad Core, 2GB RAM, 32GB eMMC, PCAP, MicroSD, WiFi/BT, 1 x Gb LAN, 2 x USB, USB OTG, 1 x HDMI, 12~24V DC Input, 2019 Windows 10 IoT LTSC
OFT-15W03-32LX	15.6" Open Frame Tablet, Intel Atom x5-Z8350 Quad Core, 2GB RAM, 32GB eMMC, PCAP, MicroSD, WiFi/BT, 1 x Gb LAN, 2 x USB, USB OTG, 1 x HDMI, 12~24V DC Input, Ubuntu 19.04

* All product specifications and images are subject to change without notice. Last update: 2021/08/30



BCM Advanced Research

11 Chrysler, Irvine, CA 92618 USA
An industry leader in industrial motherboards & embedded computing

www.bcmcom.com

BCMSales@bcmcom.com
(949) 470-1888