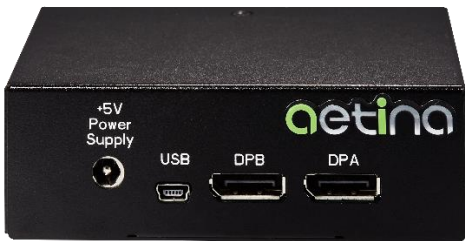


MSB-DP24H

Features

- Two Display Port input to Four HDMI output video splitter box
- Easy and quick installation without driver
- Support EDID caching
- Passive cooling, low power consumption, low-profile metal case
- Flexibly deploy multi-monitors video wall configuration with 4x1 or 2x2, support 1920x1200 per port

Specifications



Display Support

Max. Displays per Board	4
Max. Digital Display Support	7680 x 1200 (4 x 1 mode) 3840 x 2400 (2 x 2 mode)
Display Connectors	4 x HDMI

I/O Interface

Input	Display Port 3840 x 1200
Output	HDMI 1920 x 1200

Thermal and Power Specs

Thermal	Passive Heatsink
Max. BOX Power Consumption (W)	10W

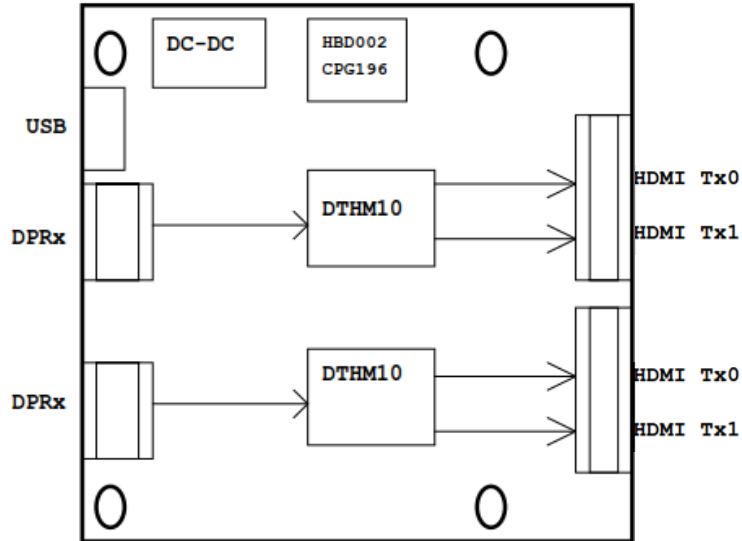
Dimensions

Form Factor	Low-profile metal case
Length	107 mm
Height	35 mm
Width	95 mm

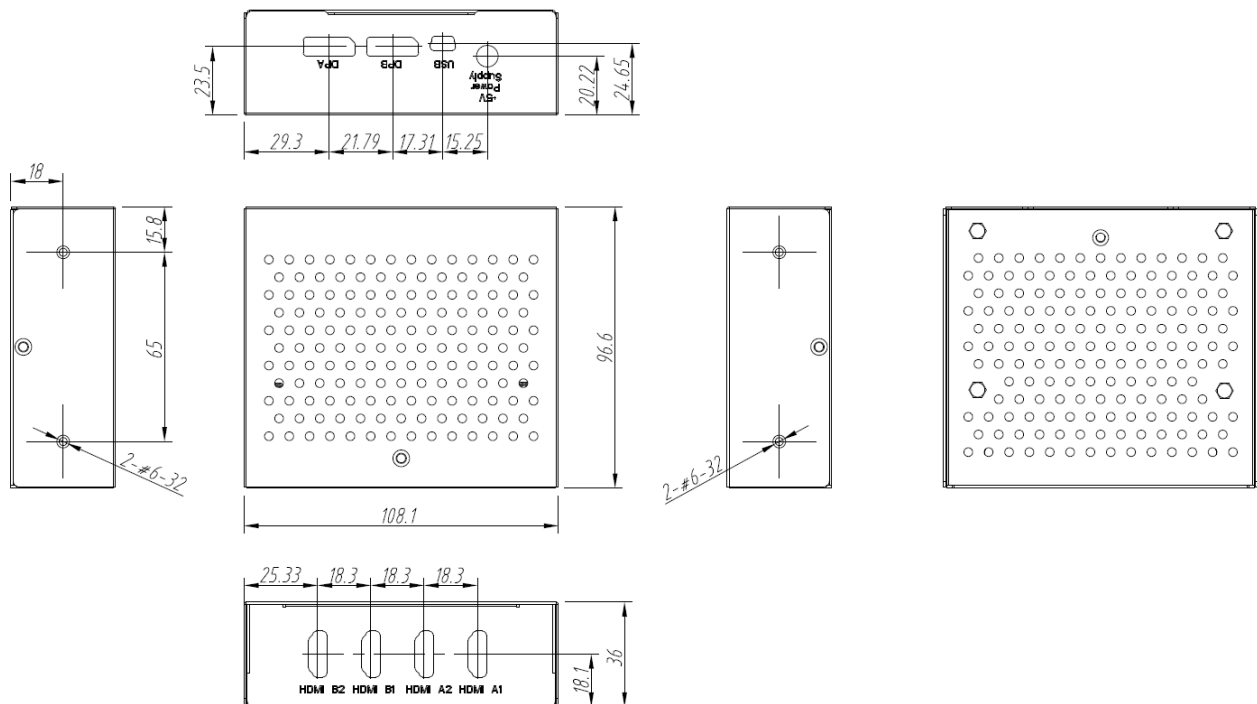
Others

Operation System	Windows® 10
Other Technology	EDID caching
Operation Temperature(Standard)	0°C ~ 45°C
Storage Temperature	-20°C ~ 65°C

Block Diagram



Mechanical



Ordering Information

Model Number	Description
MSB-DP24H	4-displays, Multi-display Splitter Box, Input DP x 2 + Output HDMI x 4, 0°C to +45°C Accessories: DP to DP cable x 2 + Adapter 5V 3A DC x 1