

# DEV-MXM-4H

## Features

- The Aetina MXM carrier board gives system developers a complete suite of detection to help shape the graphics performance for their embedded applications. This solution is built based on PCI Express x16 Gen3, which convert the MXM slot to a PCI Express slot, making it easily compatible with on hand PCI Express platforms.
- Compatible with Aetina’s Embedded MXM Module.

## Specifications

### Feature Support

Bus Support                      PCI Express 3.0 Slot to Host  
     MXM 3.1 Slot to Device

### Display Support

Display Interface                4 x HDMI

### Power Specs

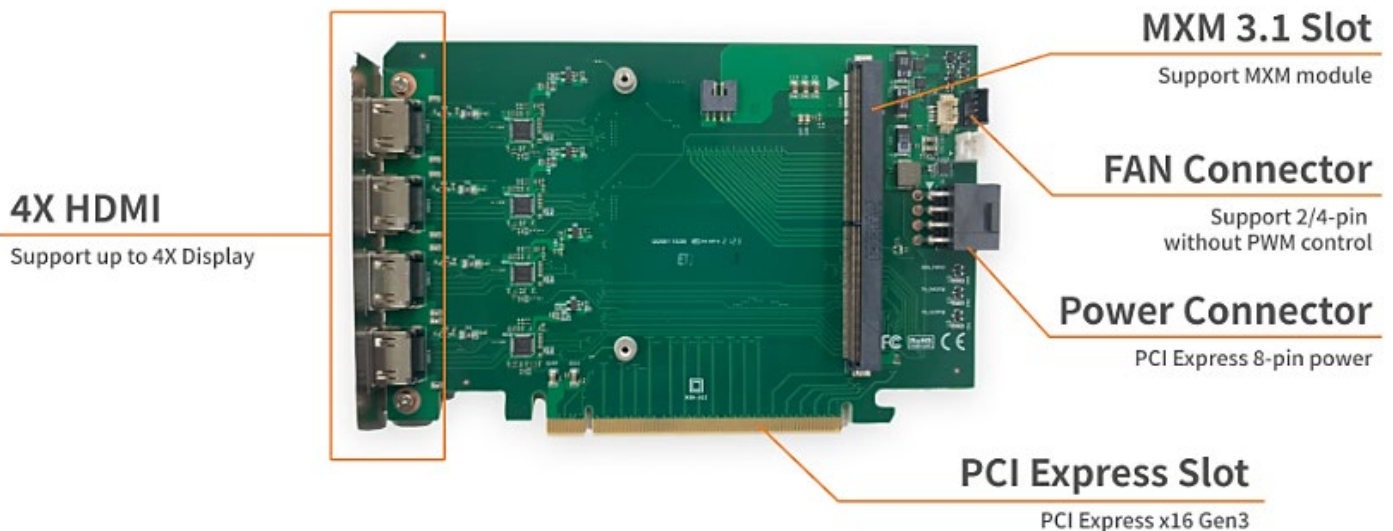
Supplementary Power Connector    8-pin

### Dimensions

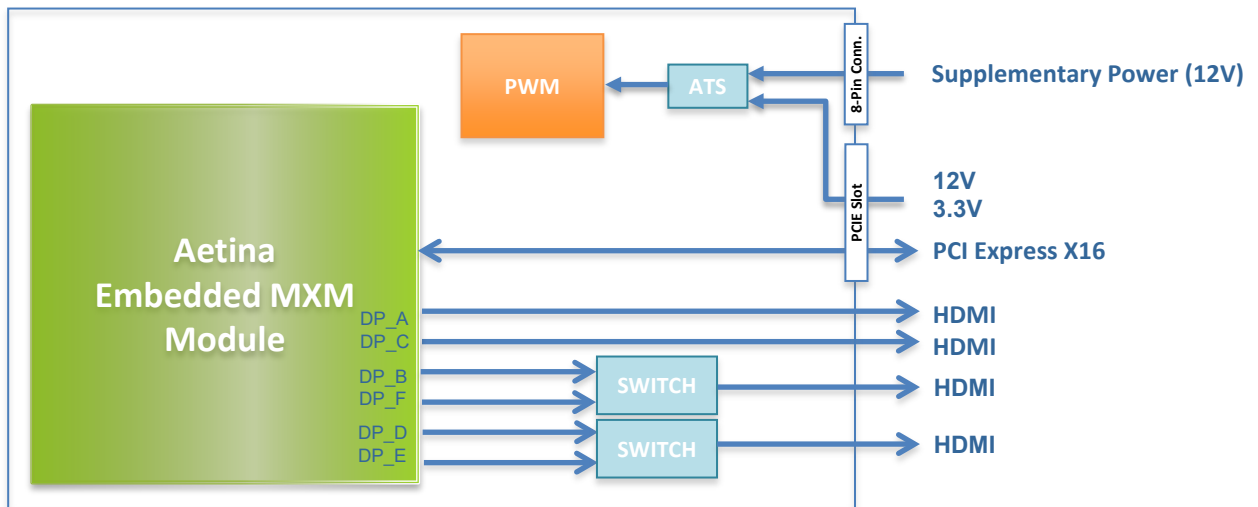
Length                              169 mm  
 Height                              111.15 mm

## Getting started

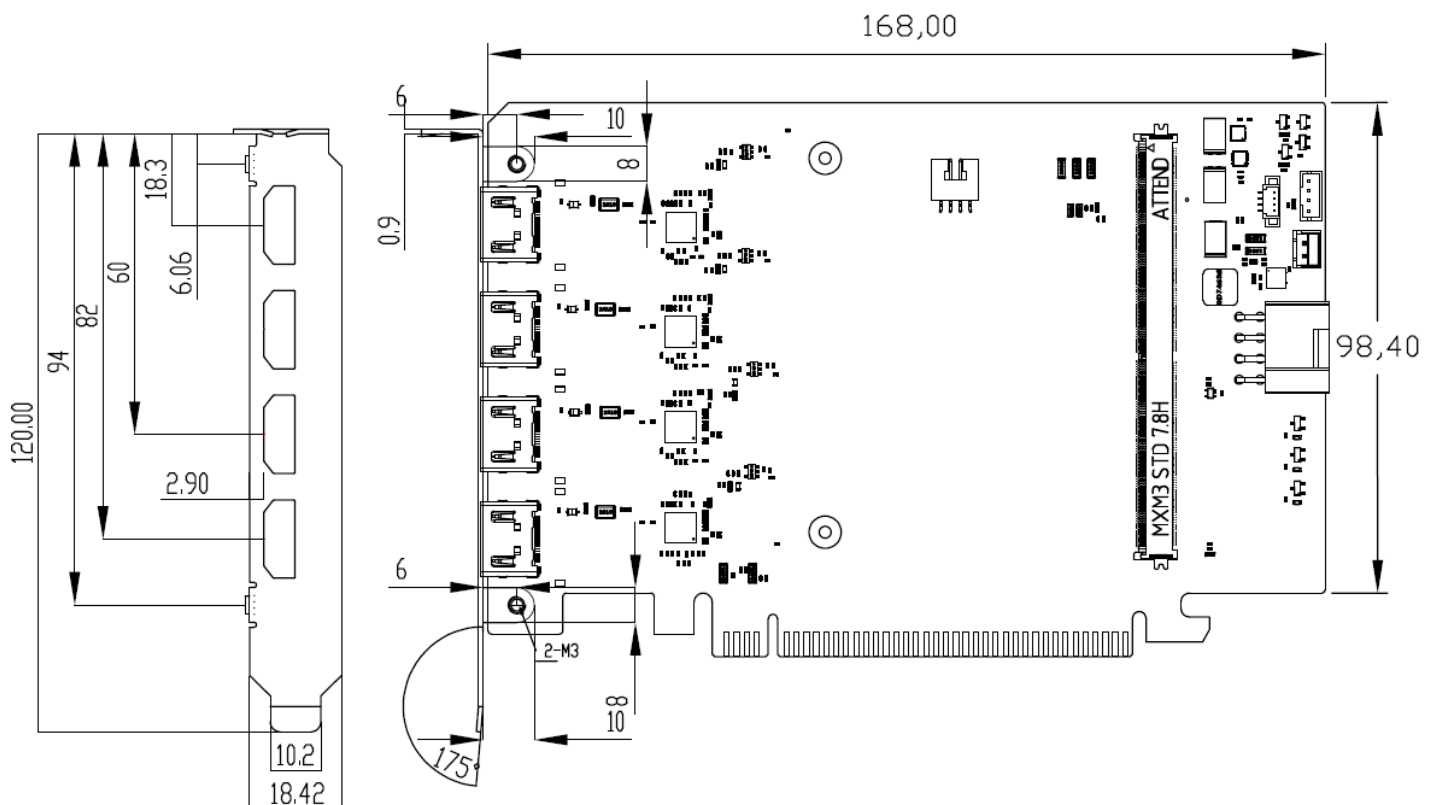
1. First, you need to prepare ready MXM and FAN
2. And, to connecting the FAN Cable to FAN Connector of carrier board
3. Carrier board plug in the motherboard PCIe Slot
4. The Cable of power supply is supposed to connect to the 8-pin Power Connector on carrier board
5. Monitor HDMI cable are tied to HDMI connector of carrier board
6. Follow the mark on the carrier board to connect A/B/C/D



## Block Diagram



## Mechanical



## Ordering Information

Module Number	Description
DEV-MXM-4H	PCIe Carrier Board, MXM3.1, 4x HDMI, 0°C to +55°C