



Features

- ARM Based Rugged Vehicle management
- 7" High brightness LCD
- Fanless design
- Freescale i.MX6 DualLite/Quad (option) ARM Cortex A9 processor
- Onboard 1GB DDR3 DRAM
- Onboard 4GB eMMC Flash
- Support Projected Capacitive Touch and Resistive Touch Screen
- Total IP66 with M12 Connector
- DC 6~36V wide-ranging power input

Specifications

System

CPU	Freescale i.MX6 DualLite/Quad(option) ARM Cortex A9 processor 1.0GHz
Memory	Onboard 1GB DDR3 DRAM
Storage	Onboard 4GB eMMC NAND Flash
Function Keypad	7 Keys (F1~F6 with Power Button)
Speaker	1 x 2W IP65 Speaker

I/O Port

Standard I/O	IP66 I/O connector: 1 x M12 for 2 x USB 2.0 1 x M12 for 1 x LAN 2 x M12 for RS-232 (CAN for option/Either two) 1 x M12 DC Power input 1 x SMA connector for option GPS antenna 1 x Power LED(green) front touch panel
--------------	--

Expansion

Expansion Slot	1 x Micro SD on board 1 x Mini-PCIe full size for option 3G/GPS with 3G internal antenna 1 x Mini-PCIe half size slot for option WIFI/BT with internal antenna 1 x SIM slot on board
----------------	---

LCD

Display Type	7" TFT-LCD
Max. Resolution	800 x 480
Max. Color	262K
Contrast Ratio	400:1
Luminance (cd/m ²)	1000 (default 600nits)
View Angle	140(H) / 130(V)
Backlight Lifetime	50,000 hrs

Touch Screen – Resistive Touch

Interface	USB
Light transmission (%)	Over 80%

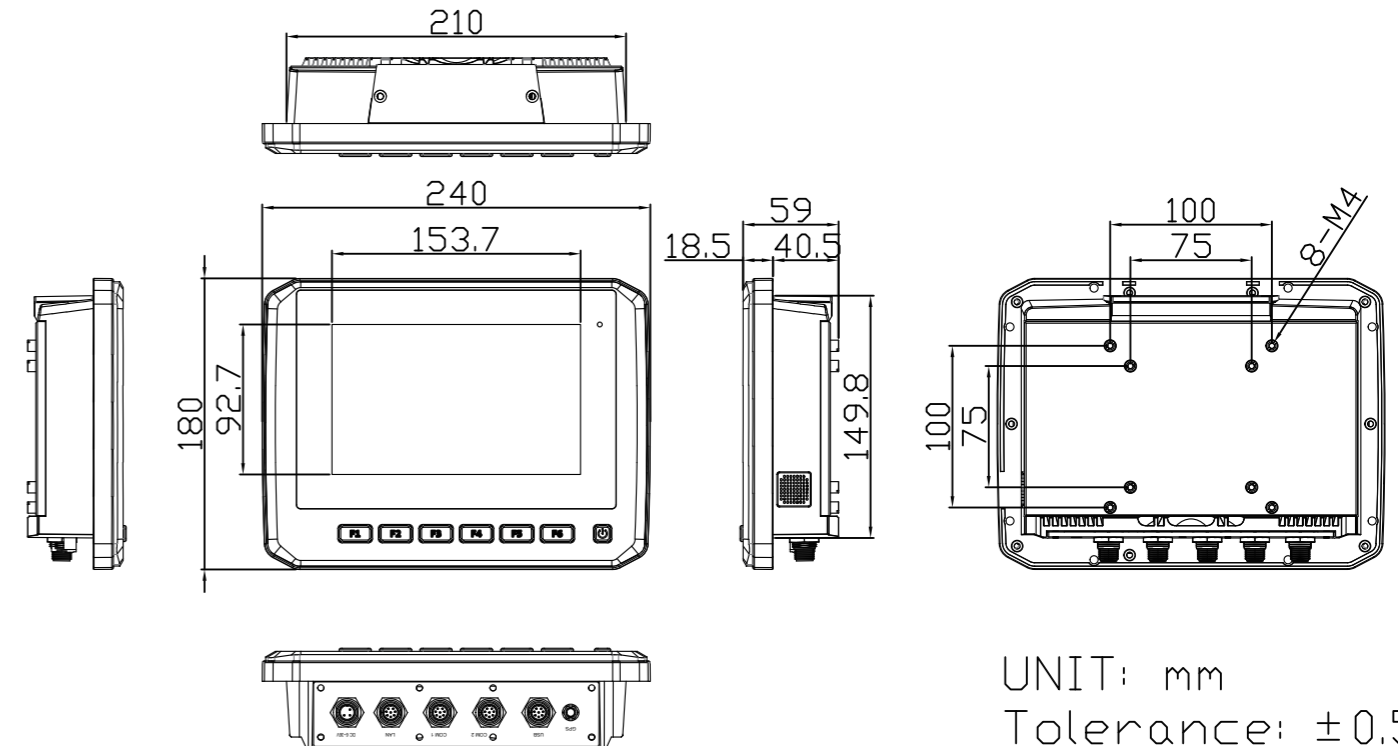
Touch Screen – Projected Capacitive Touch

Interface	USB
Light transmission (%)	Over 90%

Power

Default Power Input	6~36V DC
Optional Power Input	6~36V DC + Ignition / VCC Power
Power Consumption	MAX: 7.5W

Dimensions



UNIT: mm
Tolerance: ±0.5

Mechanical

Construction	Aluminum Front Bezel and Plastic Cover with Aluminum Heat Sink.
Mounting	Support VESA 75 x 75 / 100 x 100 Yoke Mount (option)
IP Rating	Total IP66
Dimension	240 x 180 x 59 mm
Net Weight	2.1 Kg

Environmental

Operating temperature(°C)	0~50°C WT1: -20°C~60°C for option
Storage temperature(°C)	-30~80°C
Storage humidity	10 to 90% @ 40°C, non- condensing
Certificate	Meet CE / FCC Class A / MIL810F/ IEC60068-2-27 for Vibration / Shock

Operating System Support

Android 4.2.2 / Android 5.1.1 (TBD)
Linux 3.2 QT / Linux 4.2 QT (TBD)

Ordering Information

APC-3073T 7" WVGA 1000nits Rugged panel PC, i.MX6DL1.0G/1G/4GeMMC, resistive touch, 6~36V DC input with Adaptor, Rugged ALU front and plastic back cover with heat sink, Total IP66 with M12 Connector. 6 Key function key at front bezel.

