

# T06

1U Active Air Cooler

**PRODUCT SPECIFICATIONS**

## Model Number: T06

- Recommend for Intel® CPU as following
  - Intel® Xeon® Processor E3 v4 Family, Socket FCLGA 1150
  - Intel® Xeon® E Processor/Intel Core™ i7 Processor, Socket FCLGA 1151;
  - Intel® Xeon® Processor E3 Family/Intel Core™ i5 Processor, Socket LGA 1155;
  - Intel® Xeon® processor X3400, Socket LGA 1156;
  - Intel® Core™ i9 Processor, Socket FCLGA 1200;
- Active Cooler for 1U Server & Up

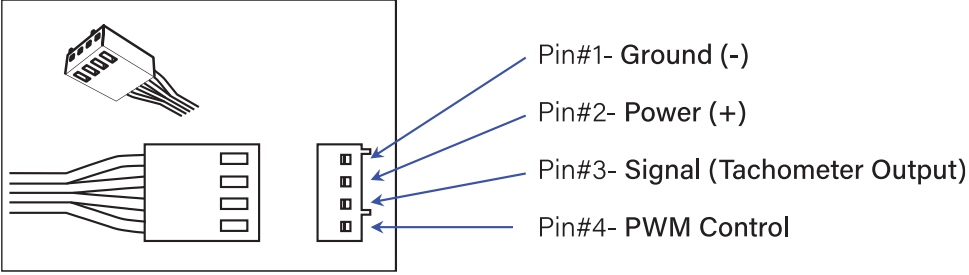
## Overall Specification

Dimension	85.0 x 81.5 x 28.5 mm
Weight	355 ± 5 g
Material	Copper Heat Sink with Skiving Fins
Orientations	Switchable without On-board Component Interference
Back Strip Set	Included
Thermal Grease	SHIN-ETUS 7762Pre-printed
TDP	Up to 125 Watts CPU Power Heat Dissipation

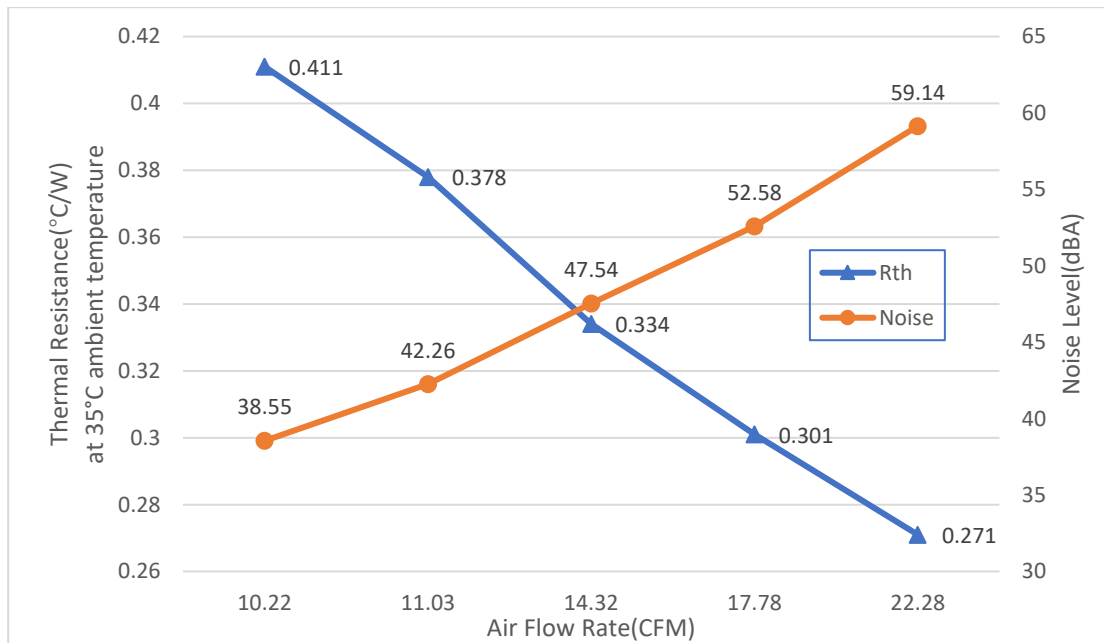
## Cooling Fan Specification

Model Number	DB128015BU-PWMG
Dimension	Ø80 x 15 mm
Bearing	Double Ball
Rated Voltage	12V
Rated Speed	At Duty Cycle 0~20%: 1000±200 RPM At Duty Cycle 50%: 3500±10% RPM At Duty Cycle 100%: 7000 RPM
Rated Input Power	At Duty Cycle 0~20%: 0.60 W At Duty Cycle 50%: 3.84 W At Duty Cycle 100%: 19.2 W
Rated Airflow	At Duty Cycle 0~20%: 6.5 CFM At Duty Cycle 50%: 11.2 CFM At Duty Cycle 100%: 22.28 CFM
Rated Static Pressure	At Duty Cycle 0~20%: 2.27 mm-H2O At Duty Cycle 50%: 18.56 mm-H2O At Duty Cycle 100%: 74.18 mm-H2O
Acoustical Noise	At Duty Cycle 0~20%: 21.5 dBA At Duty Cycle 50%: 43.0 dBA At Duty Cycle 100%: 59.14 dBA

**T06 | Socket LGA 1156/1200**

<p><b>Lead Wire Pin Out</b></p> <p>Pin#1- Black(-)          Pin#2- Yellow(+)          Pin#3- Green(Tachometer/ Signal Output)          Pin#4- Blue (PWM)</p> <p>Lead Wire Pin Out Diagram :</p> 
--

**Performance Chart: Active Cooler T06 Thermal Resistance**  
**Active Cooler T06 Cooling Performance vs. Airflow**



T06 | Socket LGA 1156/1200

## Active Cooler T06 Cooling Performance vs. Fan Speed

