

# A37

1U Passive Air Cooler

**PRODUCT SPECIFICATIONS**

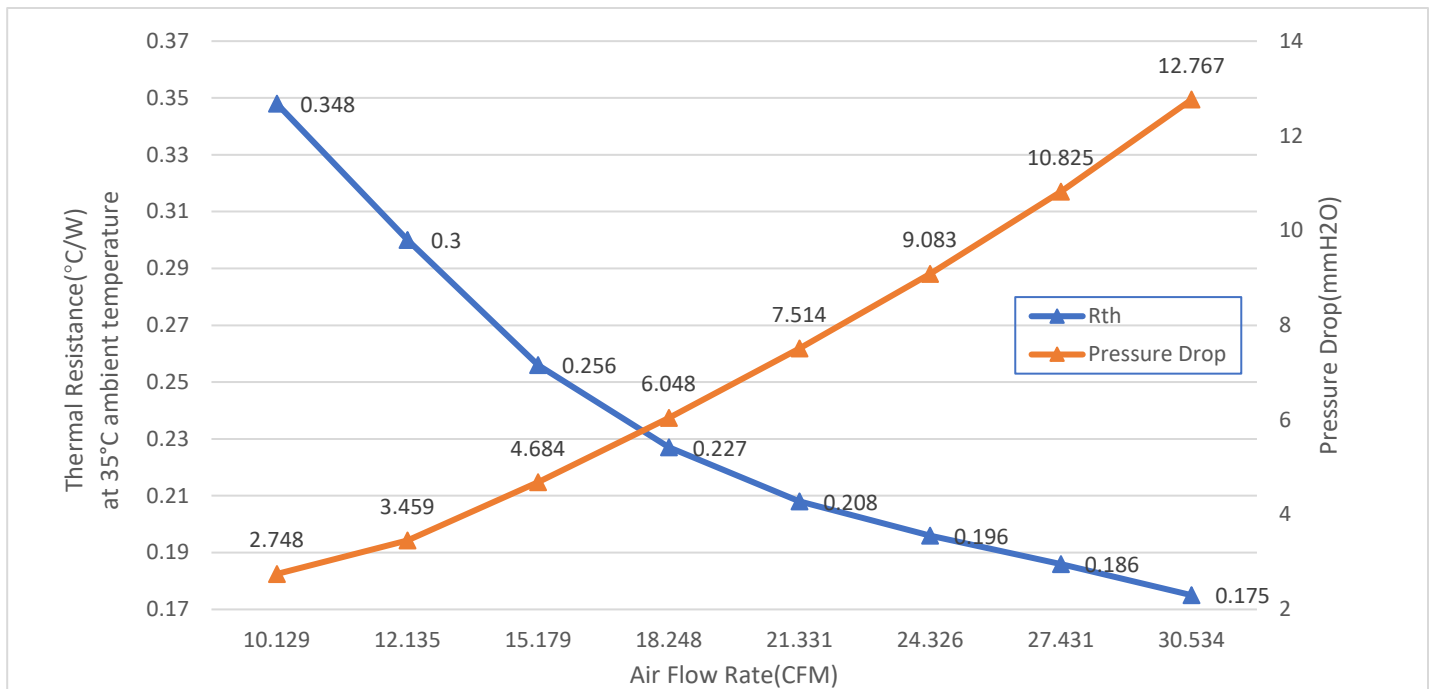
## Model Number: A37

- Recommend for AMD® CPU as following AMD® Ryzen™ Processor, Socket AM4 / AM5
- Passive Cooler for 1U Server

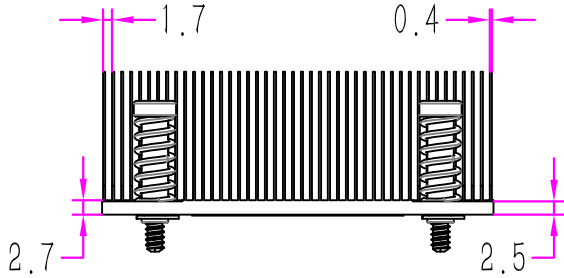
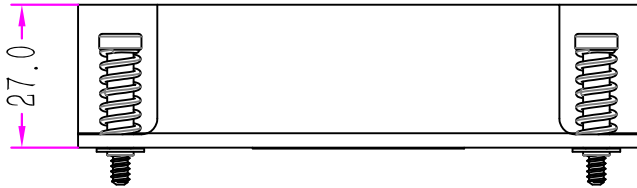
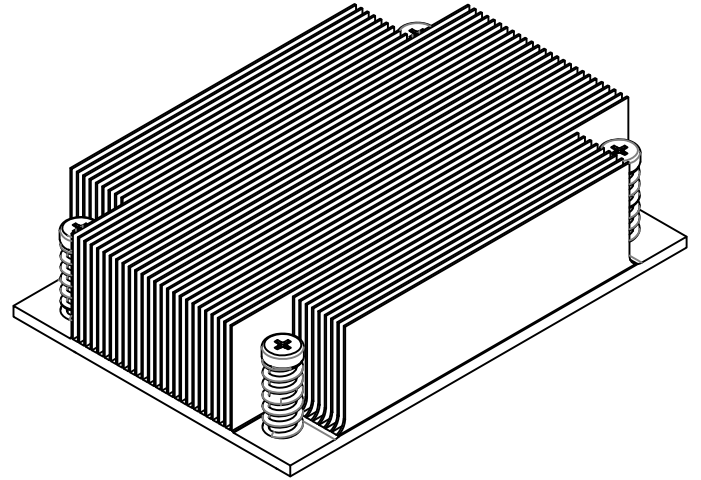
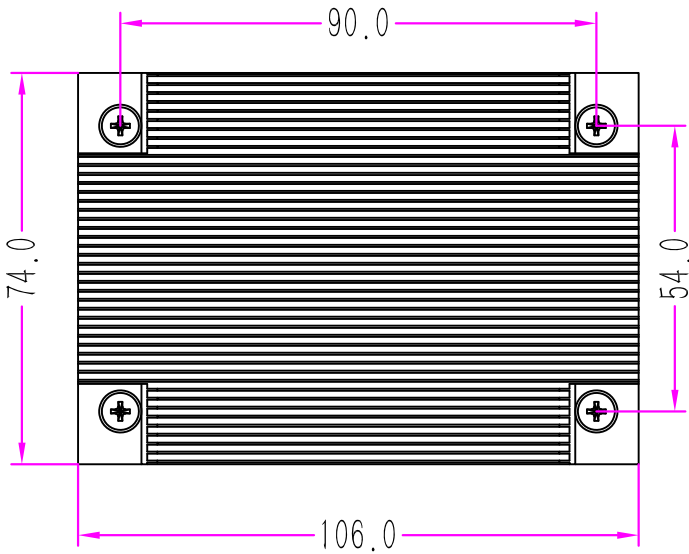
## Overall Specification

Dimension	106.0 x 74.0 x 27.0 mm
Weight	586 ± 5g
Material	Copper Heat Sink with Skiving Fins
Back Plate	Included
Thermal Grease	Shin-Etsu 7762 pre-printed
TDP	Support CPU Power 105 Watts Heat Dissipation

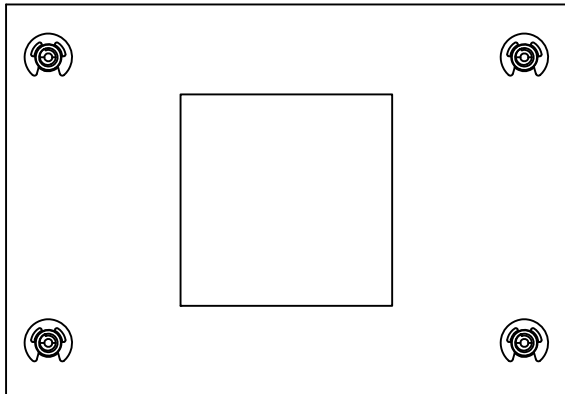
## Performance Chart: Active Cooler A37 Thermal Resistance Cooling Performance vs. Airflow



REV.	DESCRIPTION	DATE	BY
0.1	INITIAL RELEASE		
0.2	DESIGN REVISION: ADDITIONAL FINES - ADD A FIN SPREAD CORRECTION		
0.3	ADD FIN HOLE DIMENSIONS		
0.4	REVISED FIN HOLE DIMENSIONS		




Fin pitch: 1.7mm  
 Fin thickness: 0.4mm



Heatsink bottom view (with the back plate hidden)

	NAME	DATE
DRAWN BY	Engr.	02/22/2021
CHECKED BY	Engr.	02/22/2021
ENG. APPROVED		
MFG. APPROVED	-	-


**DYNATRON CORPORATION**

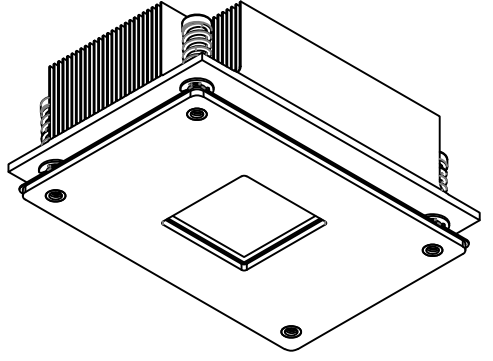
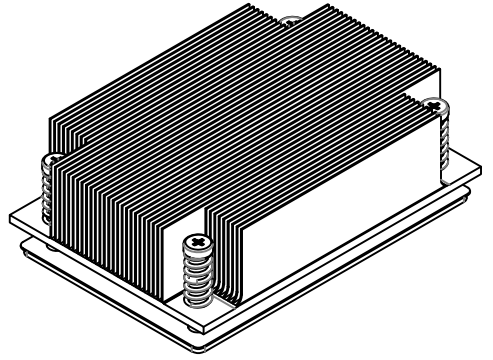
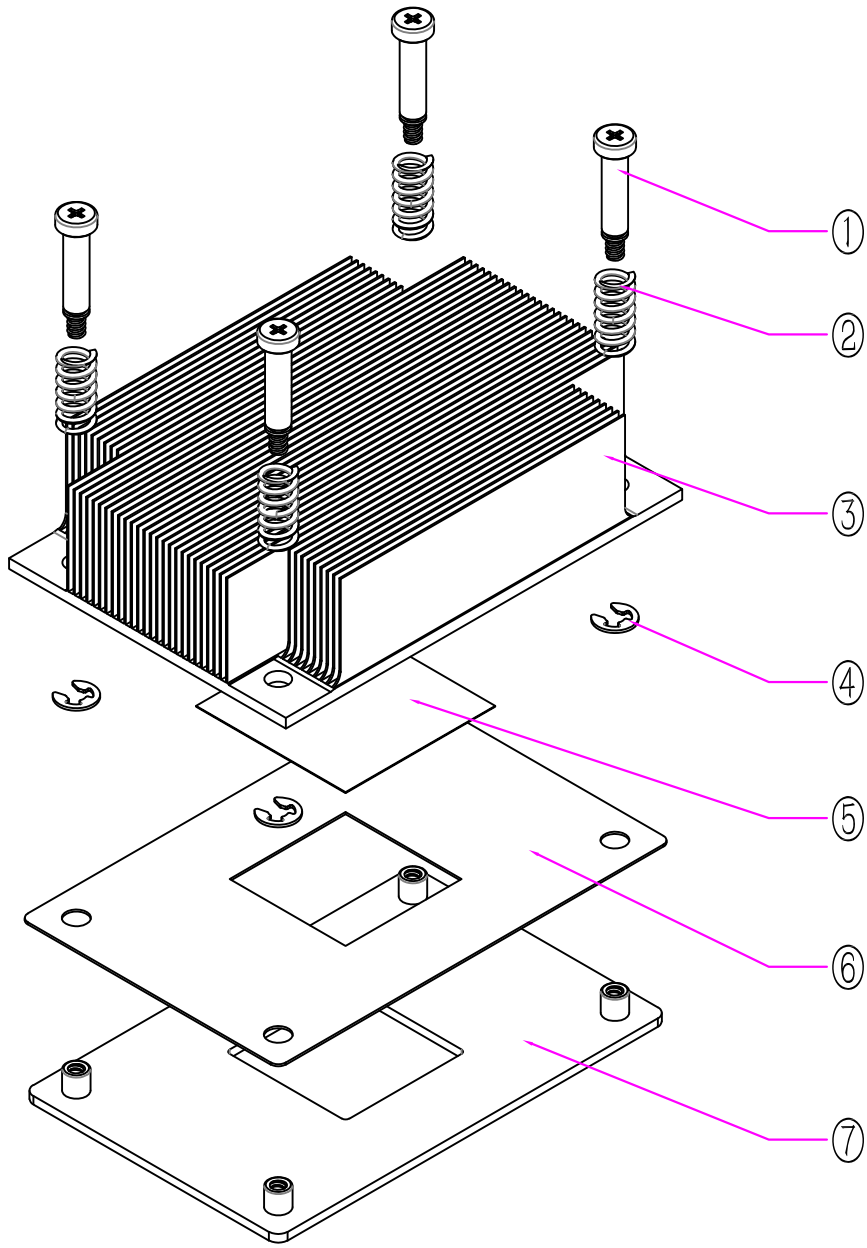
TITLE: 1U Passive Air Cooler A37  
 Heatsink Overall Dimension Drawing

**CONFIDENTIAL DOCUMENT**

THIS DRAWING CONTAINS INFORMATION PROPRIETARY TO DYNATRON CORPORATION AND DYNATRON INDUSTRIAL CO., LTD. ANY REPRODUCTION, DISCLOSURE, OR USE OF THIS DRAWING IS EXPRESSLY PROHIBITED EXCEPT AS DYNATRON CORPORATION AND DYNATRON INDUSTRIAL CO., LTD. MAY OTHERWISE AGREE TO IN WRITING.

VIEW		DWG. No.	DYN-DM-A37	REV.	0.2
UNITS	MM				

REV#	DESCRIPTION	DATE	BY
1.0	INITIAL RELEASE		
2.0	DESIGN REVISION - VERIFY DRAWING - CHECK FOR DIMS OR CORRECTIONS		
3.0	REVISED DRAWING - VERIFY ALL DIMENSIONS		
4.0	REVISED DRAWING - VERIFY ALL DIMENSIONS		



7	BACKPLATE	SPOC	1
6	INSULATOR	PC	1
5	THERMAL GREASE, PRE-PRINT	SHIN-ETSU 7762	1
4	C-CLIP	STEEL	4
3	HEATSINK, SKIVING FIN	COPPER 1100	1
2	SPRING (50600390)	SUS 304	4
1	SCREW, HEATSINK MOUNTING(50902650)	STEEL	4
ITEM#	DESCRIPTION	MATERIAL	QTY.

	NAME	DATE
DRAWN BY	Engr.	02/22/2021
CHECKED BY	Engr.	02/22/2021
ENG. APPROVED		
MFG. APPROVED	-	-



# DYNATRON CORPORATION

TITLE: 1U Passive Air Cooler A37  
BOM & Exploded Assembly Drawing

## CONFIDENTIAL DOCUMENT

THIS DRAWING CONTAINS INFORMATION PROPRIETARY TO DYNATRON CORPORATION AND DYNATRON INDUSTRIAL CO., LTD. ANY REPRODUCTION, DISCLOSURE, OR USE OF THIS DRAWING IS EXPRESSLY PROHIBITED EXCEPT AS DYNATRON CORPORATION AND DYNATRON INDUSTRIAL CO., LTD. MAY OTHERWISE AGREE TO IN WRITING.

VIEW		DWG. No.	DYN-EP-A37	REV.	0.2
UNITS	MM				