



# A38

2U Active Air Cooler

**PRODUCT SPECIFICATIONS**

## Table of Contents

1. PRODUCT DESCRIPTION .....	2
2. THERMAL PERFORMANCE CURVE.....	4
3. DIMENSION DRAWING.....	5

## Model Number: A38

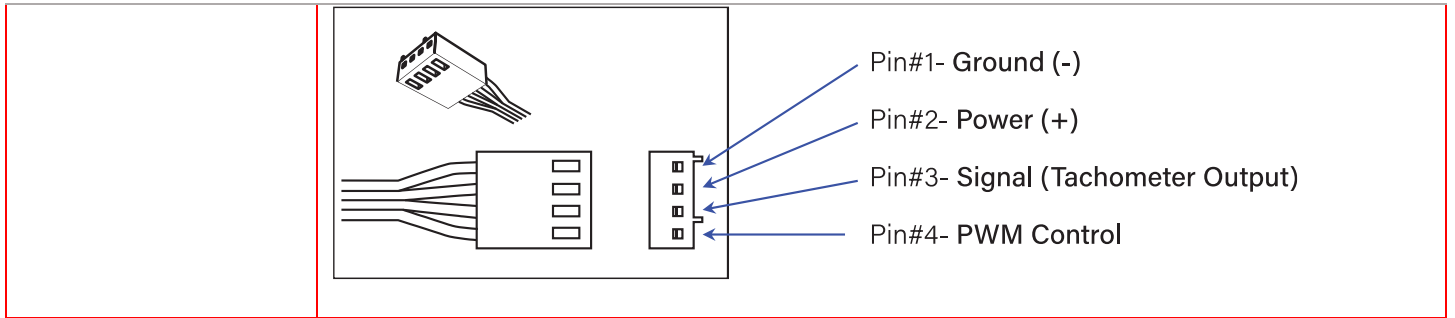
- AMD® Ryzen Threadripper Processor, Socket sWRX8, sTRX4, TR4, and AMD® Epyc Processor Socket SP3
- For 2U Server and up

## Overall Specification

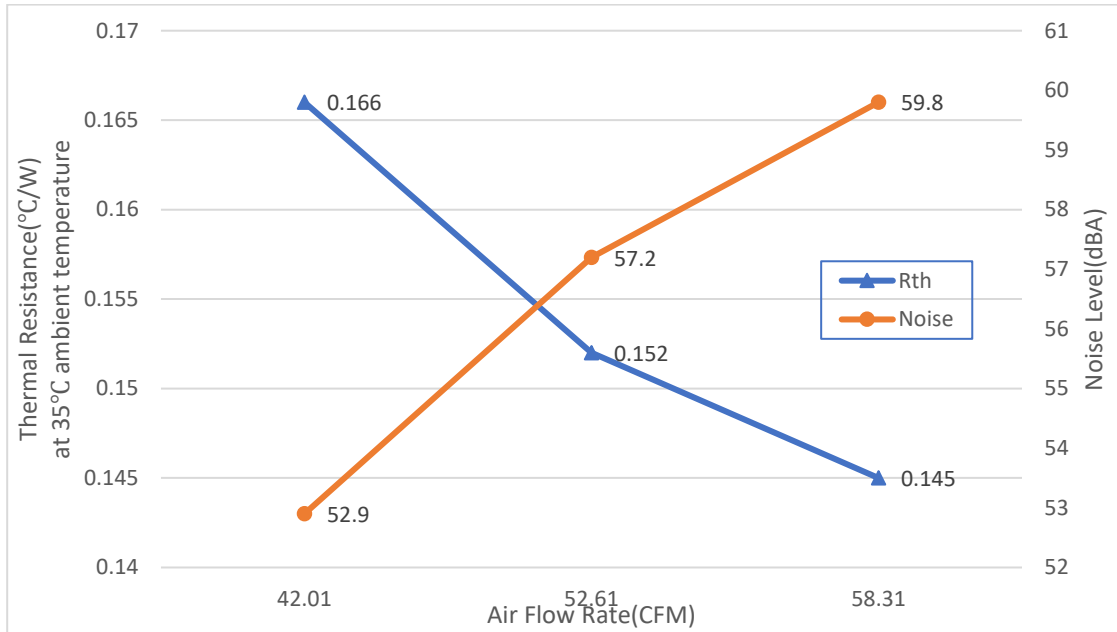
Dimension	119 x 79 x 65mm
Weight	450 g
Material	Aluminum Heatsink with Heatpipe Embedded
Fan	6025 Axial PWM Fan for Heat Exhausting
Mounting Method	Convenient Heat Sink Screw Captive Mounting
Thermal Grease	SHIN-ETSU 7762 Pre-printed
TDP	Support CPU Power up to 280 Watts Heat Dissipation

## Fan Specification

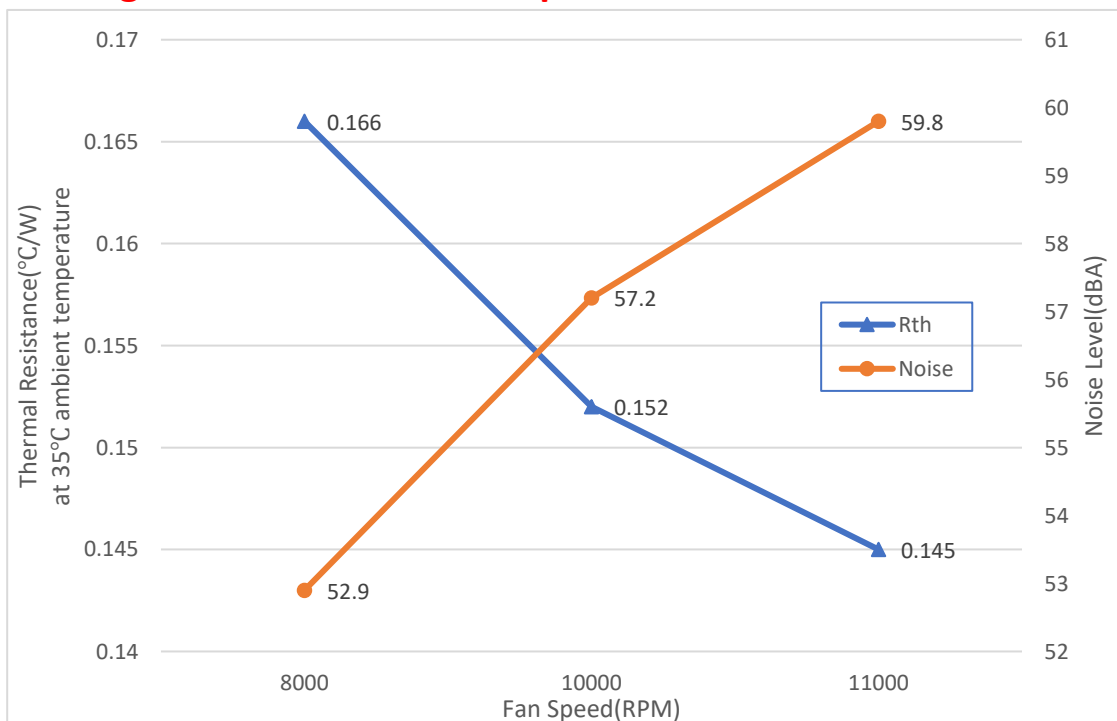
Model Number	DF126025BU - PWMH
Dimension	60 x 60 x 25 mm
Bearing	Double Ball
Rated Voltage	12V
Rated Speed	At Duty Cycle 0~20%: 2300 ± 10% RPM At Duty Cycle 50%: 5400 ± 10% RPM At Duty Cycle 100%: 11000 ±10% RPM
Input Power	At Duty Cycle 0~20%: 0.84 W At Duty Cycle 50%: 2.76 W At Duty Cycle 100%: 18.0 W
Maximum Airflow	At Duty Cycle 0~20%: 11.91 CFM At Duty Cycle 50%: 28.38 CFM At Duty Cycle 100%: 58.31 CFM
Rated Static Pressure	At Duty Cycle 0~20%: 1.48 mm-H2O At Duty Cycle 50%: 7.54 mm-H2O At Duty Cycle 100%: 28.8 mm-H2O
Acoustical Noise	At Duty Cycle 0~20%: 25.8 dBA At Duty Cycle 50%: 44.4 dBA At Duty Cycle 100%: 59.8 dBA
Lead Wire Pin Out Diagram	

**A38 | SP3/TR4/sTRX4**

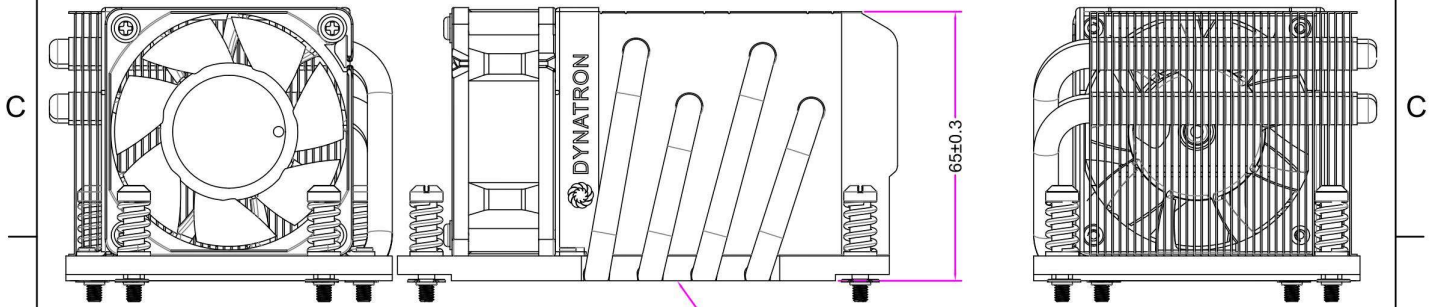
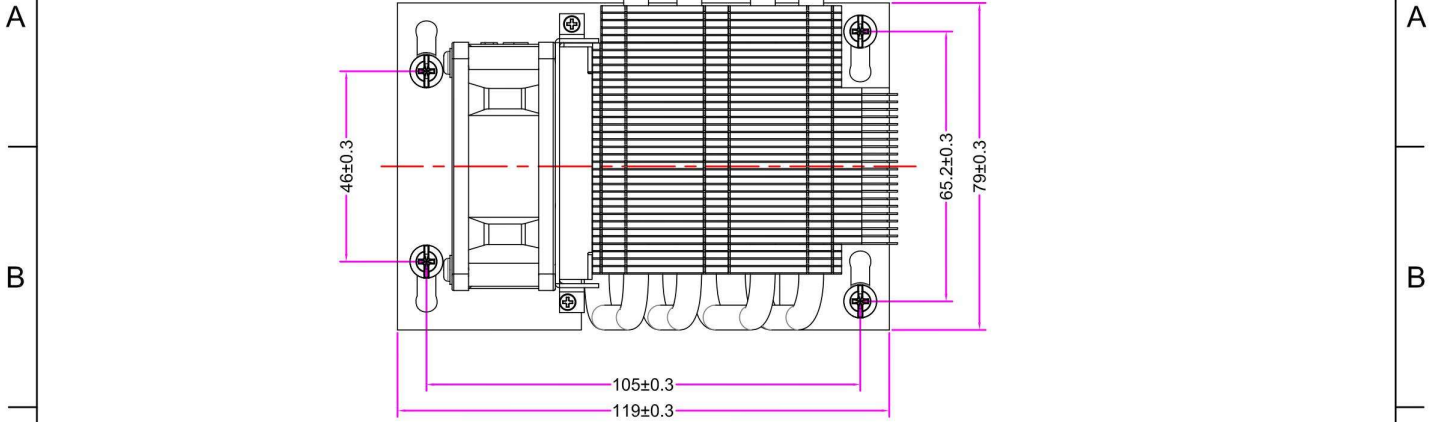
## A38 Thermal Performance Curve Cooling Performance vs. Airflow



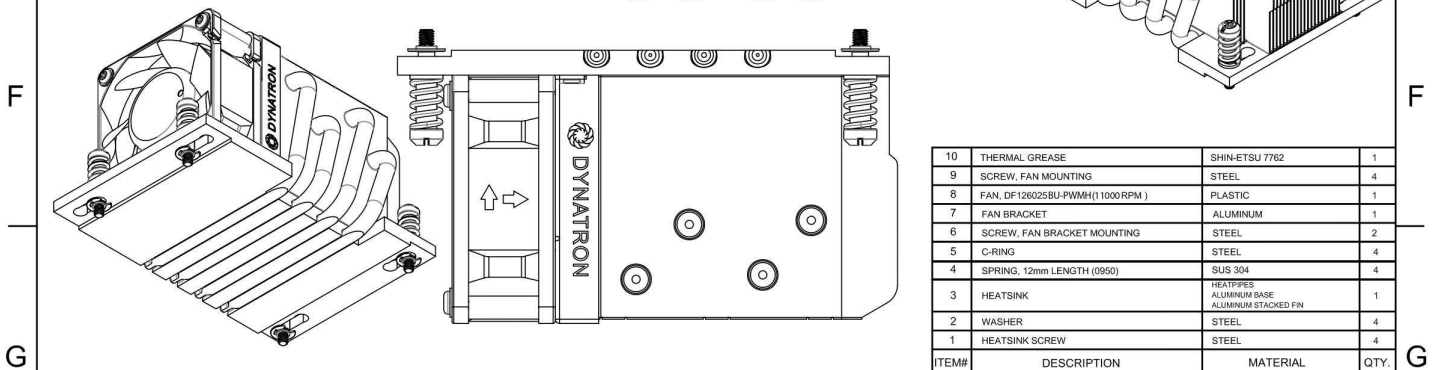
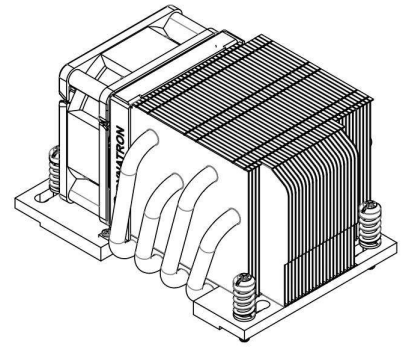
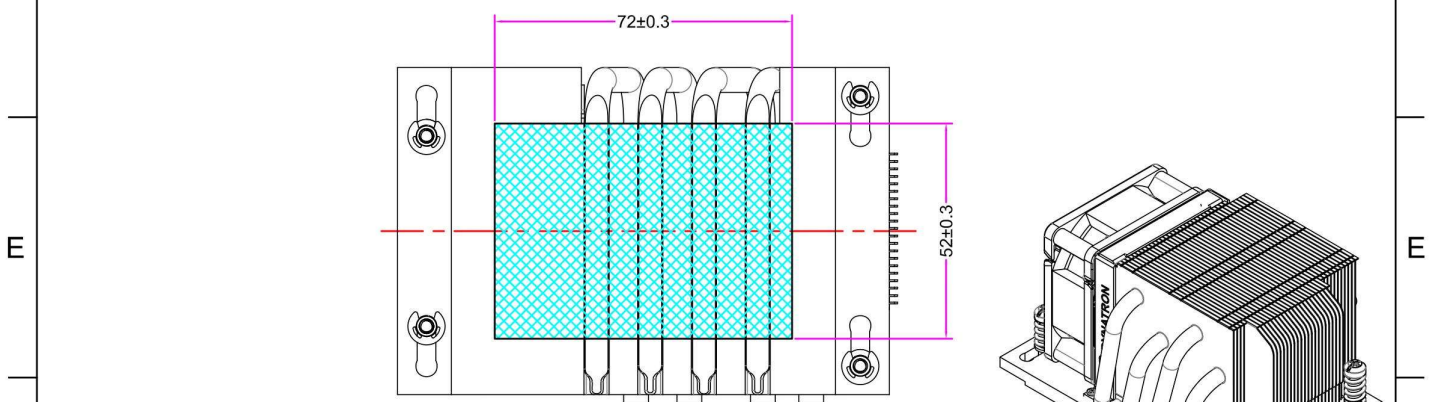
## Cooling Performance vs. Fan Speed



REV#	DESCRIPTION	CHECKER	DATE
0.0	INITIAL RELEASE	LANG	03/17/2021



0.10  
Ra <1.2  
MILL



ITEM#	DESCRIPTION	MATERIAL	QTY.
10	THERMAL GREASE	SHIN-ETSU 7762	1
9	SCREW, FAN MOUNTING	STEEL	4
8	FAN, DF126025BU-PWMH(11000RPM)	PLASTIC	1
7	FAN BRACKET	ALUMINUM	1
6	SCREW, FAN BRACKET MOUNTING	STEEL	2
5	C-RING	STEEL	4
4	SPRING, 12mm LENGTH (0950)	SUS 304	4
3	HEATSINK	HEATPIPS ALUMINUM BASE ALUMINUM STACKED FIN	1
2	WASHER	STEEL	4
1	HEATSINK SCREW	STEEL	4

	NAME	DATE
DRAWN BY	engr	03/17/2021
CHECKED BY	LANG	03/17/2021
ENG. APPROVED		
MFG. APPROVED	-	-



**DYNATRON CORPORATION**

TOP MOTOR

TITLE: **2U Active Cooler A38**  
BOM & Overall Dimension Drawing

**CONFIDENTIAL DOCUMENT**  
THIS DRAWING CONTAINS INFORMATION PROPRIETARY TO DYNATRON CORPORATION AND DYNAEON INDUSTRIAL CO., LTD. ANY REPRODUCTION, DISCLOSURE, OR USE OF THIS DRAWING IS EXPRESSLY PROHIBITED EXCEPT AS DYNATRON CORPORATION AND DYNAEON INDUSTRIAL CO., LTD. MAY OTHERWISE AGREE TO IN WRITING.

VIEW	MM
FRONT	MM

DWG. No: **DYN-BD-A38**

REV. **0.0**