

Approval Sheet

Customer	
Product Number	M4US-4GSSJC0J-E
Module speed	PC4-2400
Pin	288 pin
CI-tRCD-tRP	17-17-17
SDRAM Operating Temp	0°C~85°C
Date	11st August 2017

**The Total Solution For
Industrial Flash Storage**

Rev 1.1

1. Features

Key Parameter

Industry Nomenclature	Speed Grade	Data Rate MT/s			tRCD (ns)	tRP (ns)	tRC (ns)
		CL=13	CL=15	CL=17			
PC4-2400	S	1866	2133	2400	14.16	14.16	46.16

- JEDEC Standard 288-pin Dual In-Line Memory Module
- Intend for PC4-2400 applications
- Inputs and Outputs are SSTL-12 compatible
- VDD=VDDQ= 1.2 Volt (TYP)
- VPP=2.5 Volt (TYP)
- VDDSPD=2.2-3.6V
- Low-Power auto self-refresh (LPASR)
- SDRAMs have 16 internal banks for concurrent operation (4 Bank Group of 4 banks each)
- Normal and Dynamic On-Die Termination for data, strobe and mask signals.
- Data bus inversion (DBI) for data bus
- Fixed burst chop (BC) of 4 and burst length (BL) of 8 via the MRS
- Selectable BC4 or BL8 on-the fly (OTF)
- Golden Connector
- Fly-By topology
- Terminated control, command and address bus
- Programmable /CAS Latency: 10,11,12,13,14,15,16,17,18
- Operation temperature – (0°C ~85°C)
- On-die VREFDQ generation and Calibration
- On-Board EEPROM
- RoHS and Halogen free (*Section 13*)

2. Environmental Requirements

iDIMM are intended for use in standard office environments that have limited capacity for heating and air conditioning.

Symbol	Parameter	Rating	Units	Notes
TOPR	Operating Temperature (ambient)	0 to +55	°C	1
TSTG	Storage Temperature	-50 to +100	°C	
HOPR	Operating Humidity (relative)	10 to 90	%	
HSTG	Storage Humidity (without condensation)	5 to 95	%	
PBAR	Barometric Pressure (operating & storage)	105 to 69	K Pascal	1,2

1. The component maximum case temperature (Tcase) shall not exceed the value specified in the DDR4 DRAM component specification.
 2. Up to 9850 ft.

3. SDRAM Parameters by device density

RTT_Nom Setting	Parameter		4Gb	Units
tREFI	Average periodic refresh interval	$0^{\circ}\text{C} \leq T_{\text{CASE}} \leq 85^{\circ}\text{C}$	7.8	μs
		$85^{\circ}\text{C} < T_{\text{CASE}} \leq 95^{\circ}\text{C}$	3.9	μs

4. Ordering Information

DDR4 UDIMM						
Part Number	Density	Speed	DIMM Organization	Number of DRAM	Number of rank	ECC
M4US-4GSSJC0J-E	4GB	PC4-2400	512Mx64	8	1	N

5. Pin Configurations (Front side/Back side)

DDR4 512Mx8 base UDIMM

Pin	Front	Pin	Back	Pin	Front	Pin	Back	Pin	Front	Pin	Back	Pin	Front	Pin	Back
1	NC	145	NC	37	VSS	181	DQ29	73	VDD	217	VDD	109	VSS	253	DQ41
2	VSS	146	VREFCA	38	DQ24	182	VSS	74	CK0_t	218	CK1_t	110	DM5_n/ DBI5_n,NC	254	VSS
3	DQ4	147	VSS	39	VSS	183	DQ25	75	CK0_c	219	CK1_c	111	NC	255	DQS5_c
4	VSS	148	DQ5	40	DM3_n/ DBI3_n,NC	184	VSS	76	VDD	220	VDD	112	VSS	256	DQS5_t
5	DQ0	149	VSS	41	NC	185	DQS3_c	77	VTT	221	VTT	113	DQ46	257	VSS
6	VSS	150	DQ1	42	VSS	186	DQS3_t	78	EVENT_n,NF	222	PARITY	114	VSS	258	DQ47
7	DM0_n_t/ DBI0_n	151	VSS	43	DQ30	187	VSS	79	A0	223	VDD	115	DQ42	259	VSS
8	NC	152	DQS0_c	44	VSS	188	DQ31	80	VDD	224	BA1	116	VSS	260	DQ43
9	VSS	153	DQS0_t	45	DQ26	189	VSS	81	BA0	225	A10/AP	117	DQ52	261	VSS
10	DQ6	154	VSS	46	VSS	190	DQ27	82	RAS_n /A16	226	VDD	118	VSS	262	DQ53
11	VSS	155	DQ7	47	CB4/NC	191	VSS	83	VDD	227	NC	119	DQ48	263	VSS
12	DQ2	156	VSS	48	VSS	192	CB5,NC	84	CS0_n	228	WE_n/ A14	120	VSS	264	DQ49
13	VSS	157	DQ3	49	CB0/NC	193	VSS	85	VDD	229	VDD	121	DM6_n/ DBI6_n	265	VSS
14	DQ12	158	VSS	50	VSS	194	CB1,NC	86	CAS_n/ A15	230	NC	122	NC	266	DQS6_c
15	VSS	159	DQ13	51	DM8_n/ DBI8_n,NC	195	VSS	87	ODT0	231	VDD	123	VSS	267	DQS6_t
16	DQ8	160	VSS	52	NC	196	DQS8_c	88	VDD	232	A13	124	DQ54	268	VSS
17	VSS	161	DQ9	53	VSS	197	DQS8_t	89	CS1_n	233	VDD	125	VSS	269	DQ55
18	DMI_n/ DBI1_n,NC	162	VSS	54	CB6 DBI6_n,NC	198	VSS	90	VDD	234	NC	126	DQ50	270	VSS
19	NC	163	DQS1_c	55	VSS	199	CB7,NC	91	ODT1	235	NC	127	VSS	271	DQ51
20	VSS	164	DQS1_t	56	CB2/NC	200	VSS	92	VDD	236	VDD	128	DQ60	272	VSS
21	DQ14	165	VSS	57	VSS	201	CB3,NC	93	NC	237	NC	129	VSS	273	DQ61
22	VSS	166	DQ15	58	RESET_n	202	VSS	94	VSS	238	SA2	130	DQ56	274	VSS
23	DQ10	167	VSS	59	VDD	203	CKE1	95	DQ36	239	VSS	131	VSS	275	DQ57
24	VSS	168	DQ11	60	CKE0	204	VDD	96	VSS	240	DQ37	132	DM7_n/ DBI7_n,NC	276	VSS
25	DQ20	169	VSS	61	VDD	205	NC	97	DQ32	241	VSS	133	NC	277	DQS7_c
26	VSS	170	DQ21	62	ACT_n	206	VDD	98	VSS	242	DQ33	134	VSS	278	DQS7_t
27	DQ16	171	VSS	63	BG0	207	BG1	99	DM4_n/ DBI4_n,NC	243	VSS	135	DQ62	279	VSS
28	VSS	172	DQ17	64	VDD	208	ALERT_n	100	NC	244	DQS4_c	136	VSS	280	DQ63
29	DM2_n/ DBI2_n,NC	173	VSS	65	A12/BC_n	209	VDD	101	VSS	245	DQS4_t	137	DQ58	281	VSS
30	NC	174	DQS2_c	66	A9	210	A11	102	DQ38	246	VSS	138	VSS	282	DQ59
31	VSS	175	DQS2_t	67	VDD	211	A7	103	VSS	247	DQ39	139	SA0	283	VSS
32	DQ22	176	VSS	68	A8	212	VDD	104	DQ34	248	VSS	140	SA1	284	VSSSPD
33	VSS	177	DQ23	69	A6	213	A5	105	VSS	249	DQ35	141	SCL	285	SDA
34	DQ18	178	VSS	70	VDD	214	A4	106	DQ44	250	VSS	142	VPP	286	VPP
35	VSS	179	DQ19	71	A3	215	VDD	107	VSS	251	DQ45	143	VPP	287	VPP
36	DQ28	180	VSS	72	A1	216	A2	108	DQ40	252	VSS	144	NC	288	VPP

Notes:
1. NC = No Connect, RFU = Reserved for Future Use
2. Address A17 is only valid for 16 Gb x4 based SDRAMs.
3. RAS_n is a multiplexed function with A16.
4. CAS_n is a multiplexed function with A15.
5. WE_n is a multiplexed function with A14.
6. CBx is for ECC UDIMM only

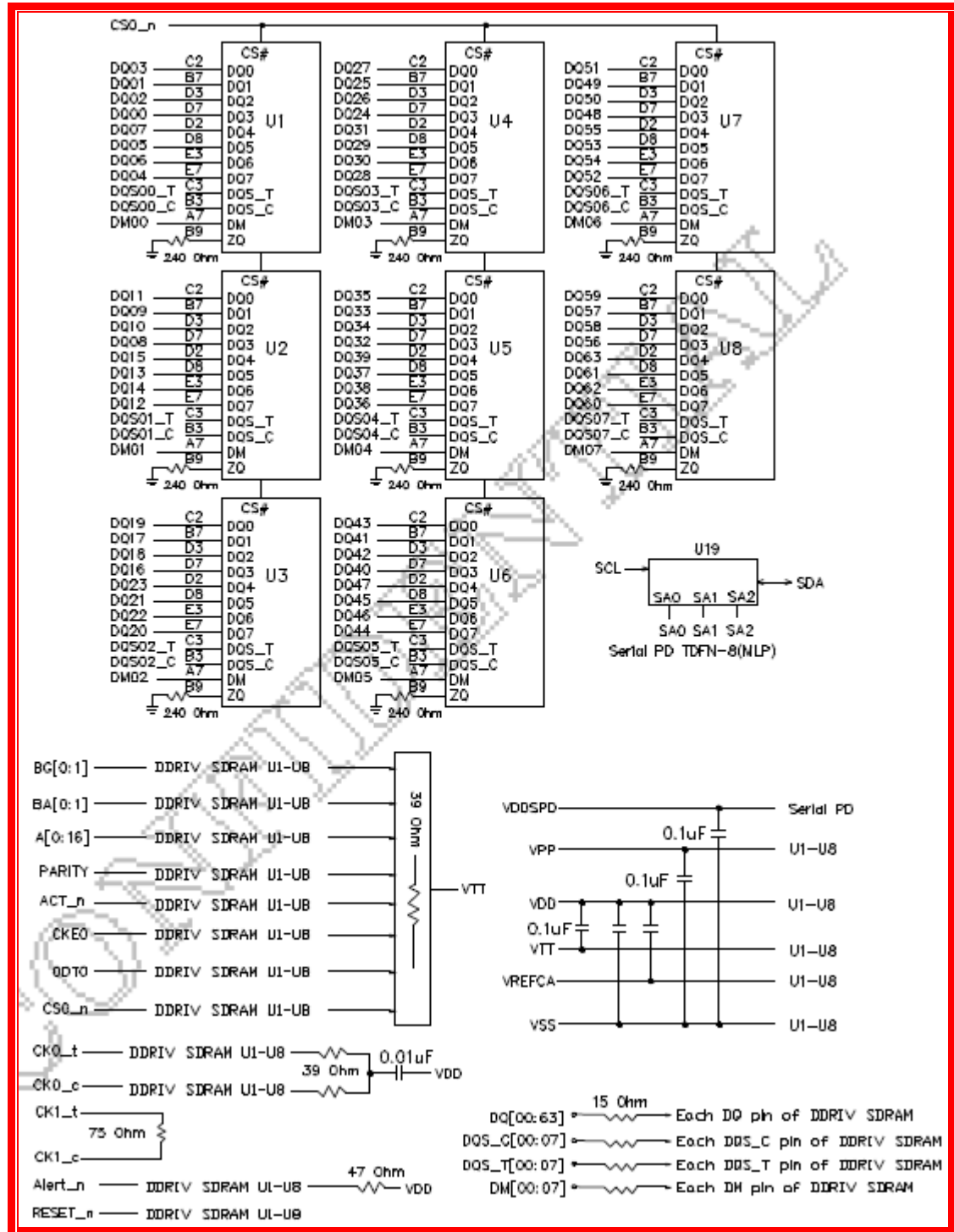
6. Architecture

Pin Definition

Pin Name	Description	Pin Name	Description
Ax	SDRAM address bus	SCL	Serial Clock for temperature sensor/SPD EEPROM
A10/AP	Auto-Precharge	DQx, CBx	Data input/output and check bit input/output:
A12/BC _n	Burst Chop	DM _n / DBI _n /TDQS _t (DMU _n , DBIU _n), (DML _n /DBII _n)	Input data mask and data bus inversion:
ACT _n	Command Input	SDA	Serial Data
BAx	Bank Address Inputs	DQS _t DQS _c DQSU _t DQSU _c DQSL _t DQSL _c	Data strobe:
BGx	Bank Group Address Inputs	ALERT _n	Alert output
C0, C1, C2 (RDIMM or LRDIMM only)	Chip ID	EVENT _n	Temperature event
CK _x _t CK _x _c	Clock	TDQS _t , TDQS _c (x8 DRAM-based RDIMM only)	Termination data strobe:
CKEx	Clock enable	VDD	Module power supply: 1.20V (TYP)
CS _x _n	Chip Select	VPP	DRAM activating power supply: 2.5V – 0.125V / +0.250V
ODTx	On-Die Termination	VREFCA	Reference voltage for control, command, and address pins
Parity	Parity of Command and Address	VSS	Ground
RAS _n /A16 CAS _n /A15 WE _n /A14	Command Input	VTT	Power supply for termination of address, command, and control VDD/2.
RESET _n	Active LOW asynchronous reset	VDDSPD	Power supply used to power the I2C bus for SPD.
SAx	Serial address Input	RFU	Reserved for future use.
NF	No function	NC	No Connect

7. Function Block Diagram:

- (4GB, 1 Rank 512Mx8 DDR4 SDRAMs)



8. SDRAM Absolute Maximum Ratings

Symbol	Parameter	Rating	Units	Note	
T _{OPER}	Operation Temperature	Normal Operating Temp.	0 to 85	°C	1,2
		Extended Temp.(optional)	85 to 95	°C	1,3
T _{STG}	Storage Temperature	-55 to 100	°C	4,5	
V _{IN} , V _{OUT}	Voltage on any pins relative to V _{ss}	-0.3 to +1.5	V	4	
V _{DD}	Voltage on VDD supply relative to V _{ss}	-0.3 to +1.5	V	4,6	
V _{DDQ}	Voltage on VDDQ supply relative to V _{ss}	-0.3 to +1.5	V	4,6	

Note:

1. Operating Temperature T_{OPER} is the case surface temperature on the center / top side of the DRAM.

For measurement conditions, please refer to the JEDEC document JESD51-2.

2. The Normal Temperature Range specifies the temperatures where all DRAM specifications will be supported. During operation, the DRAM case temperature must be maintained between 0 to 85 °C under all operating conditions.

3. Some applications require operation of the DRAM in the Extended Temperature Range between 85 °C and 95 °C case temperature. Full specifications are supported in this range, but the following additional conditions apply:

a) Refresh commands must be doubled in frequency, therefore reducing the Refresh interval tREFI to 3.9 μs. It is also possible to specify a component with 1X refresh (tREFI to 7.8μs) in the Extended Temperature Range. Please refer to supplier data sheet and/or the DIMM SPD for option availability.

b) If Self-Refresh operation is required in the Extended Temperature Range, then it is mandatory to either use the Manual Self-Refresh mode with Extended Temperature Range capability (MR2 A6 =0b and MR2 A7 = 1b) or enable the optional Auto Self-Refresh mode (MR2 A6 = 1b and MR2 A7 =0b). Please refer to the supplier data sheet and/or the DIMM SPD for Auto Self-Refresh option availability, Extended Temperature Range support and tREFI requirements in the Extended Temperature Range.

4. Stresses greater than those listed under “Absolute Maximum Ratings” may cause permanent damage to the device. This is stressing only, and functional operation of the device at these or any other conditions above those indicated in the operational sections of this specification is not implied. Exposure to absolute maximum rating conditions for extended periods may affect reliability.

5. Storage Temperature is the case surface temperature on the center/top side of the DRAM. For the measurement conditions, please refer to JESD51-2 standard.

6. VDD and VDDQ must be within 300 mV of each other at all times;and VREF must be not greater than 0.6 x VDDQ, When VDD and VDDQ are less than 500 mV; VREF may be equal to or less than 300 mV

9. Module Absolute Maximum Ratings

Symbol	Parameter	Rating	Units	Notes
V_{IN}, V_{OUT}	Voltage on I/O pins relative to Vss	-0.3 to +1.5	V	
V_{DD}	Voltage on VDD supply relative to Vss	-0.3 to +1.5	V	1
V_{DDQ}	Voltage on VDDQ supply relative to Vss	-0.3 to +1.5	V	1
V_{PP}	Voltage on VPP supply relative to Vss	-0.3 to +3.0	V	2

Note:

- VDDQ tracks with VDD; VDDQ and VDD are tied together.
- VPP must be greater than or equal to VDD at all times.

10. Operating Condition

Symbol	Parameter	Min	Nom	Max	Units	Notes
VDD	Supply Voltage	1.14	1.2	1.26	V	1
VPP	DRAM activating power supply	2.375	2.5	2.75	V	2
VREFCA(DC)	Input reference voltage command/ address bus	0.49 x VDD	0.5 x VDD	0.51 x VDD	V	3
IVTT	Termination reference voltage (DC) – command/address bus	-750	-	750	mA	
VTT	Termination Voltage	0.49 x VDD	0.5 x VDD	0.51 x VDD	V	4
II	Input leakage current; any input excluding ZQ; 0V < VIN < 1.1V	-2.0	-	2.0	μA	5
II/O	DQ leakage; 0V < Vin < VDD	-4.0	-	4.0	μA	5
Iozpd	Output leakage current; VOUT = VDD; DQ is disabled	-	-	5.0	μA	5,6
Iozpu	Output leakage current; VOUT =VSS; DQ and ODT are disabled; ODT is disabled with ODT input HIGH	VREF + 0.125	-	VDDQ + 0.3	μA	1
Iozpd	VREFCA leakage; VREFCA = VDD/2 (after DRAM is initialized)	-2.0	-	2.0	μA	5

Note:

- VDDQ tracks with VDD; VDDQ and VDD are tied together.
- VPP must be greater than or equal to VDD at all times.
- VREFCA must not be greater than 0.6 x VDD. When VDD is less than 500mV, VREF may be less than or equal to 300mV.
- VTT termination voltages in excess of the specification limit adversely affect the voltage margins of command and address signals and reduce timing margins.
- Multiply by the number of DRAM die on the module.
- Tied to ground. Not connected to edge connector.

11. Operating, Standby, and Refresh Currents

- 4GB UDIMM (1 Rank 512Mx8 DDR4 SDRAMs)

Symbol	Proposed Conditions	Value		Units
		IDD Max.	IPP Max.	
IDD0	Operating One Bank Active-Precharge Current (AL=0)CKE: High; External clock: On; tCK, nRC, nRAS, CL: Refer to Component Datasheet for detail pattern; BL: 81; AL: 0; CS_n: Highbetween ACT and PRE; Command, Address, Bank Group Address, Bank Address Inputs: partially toggling; Data IO: VDDQ; DM_n:stable at 1; Bank Activity: Cycling with one bank active at a time: 0,0,1,1,2,2,... ; Output Buffer and RTT: Enabled in Mode Registers2;ODT Signal: stable at 0; Pattern Details: Refer to Component Datasheet for detail pattern	248	32	mA
IDD0A	Operating One Bank Active-Precharge Current (AL=CL-1) AL = CL-1, Other conditions: see IDD0	264	32	mA
IDD1	Operating One Bank Active-Read-Precharge Current (AL=0)CKE: High; External clock: On; tCK, nRC, nRAS, nRCD, CL: Refer to Component Datasheet for detail pattern; BL: 81; AL: 0; CS_n: Highbetween ACT, RD and PRE; Command, Address, Bank Group Address, Bank Address Inputs, Data IO: partially toggling; DM_n: stableat 1; Bank Activity: Cycling with one bank active at a time: 0,0,1,1,2,2,... ; Output Buffer and RTT: Enabled in Mode Registers2; ODT Signal: stable at 0; Pattern Details: Refer to Component Datasheet for detail pattern	336	24	mA
IDD1A	Operating One Bank Active-Read-Precharge Current (AL=CL-1) AL = CL-1, Other conditions: see IDD1	360	24	mA
IDD2N	Precharge Standby Current (AL=0)CKE: High; External clock: On; tCK, CL: Refer to Component Datasheet for detail pattern; BL: 81; AL: 0; CS_n: stable at 1; Command,Address, Bank Group Address, Bank Address Inputs: partially toggling ; Data IO: VDDQ; DM_n: stable at 1; Bank Activity: all banks closed; Output Buffer and RTT: Enabled in Mode Registers2; ODT Signal: stable at 0; Pattern Details: Refer to Component Datasheet for detail pattern	120	24	mA
IDD2NA	Precharge Standby Current (AL=CL-1) AL = CL-1, Other conditions: see IDD2N	152	24	mA

IDD2NT	Precharge Standby ODT Current CKE: High; External clock: On; tCK, CL: Refer to Component Datasheet for detail pattern; BL: 81; AL: 0; CS_n: stable at 1; Command, Address, Bank Group Address, Bank Address Inputs: partially toggling ; Data IO: VSSQ; DM_n: stable at 1; Bank Activity: all banks closed; Output Buffer and RTT: Enabled in Mode Registers2; ODT Signal: toggling according ; Pattern Details: Refer to Component Datasheet for detail pattern	136	24	mA
IDD2NL	Precharge Standby Current with CAL enabled Same definition like for IDD2N, CAL enabled3	96	24	mA
IDD2NG	Precharge Standby Current with Gear Down mode enabled Same definition like for IDD2N, Gear Down mode enabled3	128	24	mA
IDD2ND	Precharge Standby Current with DLL disabled Same definition like for IDD2N, DLL disabled3	96	24	mA
IDD2N_par	Precharge Standby Current with CA parity enabled Same definition like for IDD2N, CA parity enabled3	120	24	mA
IDD2P	Precharge Power-Down Current CKE: Low; External clock: On; tCK, CL: Refer to Component Datasheet for detail pattern; BL: 81; AL:0; CS_n: stable at 1; Command, Address, Bank Group Address, Bank Address Inputs: stable at 0; Data IO: VDDQ; DM_n: stable at 1; Bank Activity: all banks closed; Output Buffer and RTT: Enabled in Mode Registers2; ODT Signal: stable at 0	80	24	mA
IDD2Q	Precharge Quiet Standby Current CKE: High; External clock: On; tCK, CL: Refer to Component Datasheet for detail pattern; BL: 81; AL: 0; CS_n: stable at 1; Command, Address, Bank Group Address, Bank Address Inputs: stable at 0; Data IO: VDDQ; DM_n: stable at 1; Bank Activity: all banks closed; Output Buffer and RTT: Enabled in Mode Registers2; ODT Signal: stable at 0	104	24	mA
IDD3N	Active Standby Current CKE: High; External clock: On; tCK, CL: Refer to Component Datasheet for detail pattern; BL: 81; AL: 0; CS_n: stable at 1; Command, Address, Bank Group Address, Bank Address Inputs: partially toggling ; Data IO: VDDQ; DM_n: stable at 1; Bank Activity: all banks open; Output Buffer and RTT: Enabled in Mode Registers2; ODT Signal: stable at 0; Pattern Details: Refer to Component Datasheet for detail pattern	224	24	mA

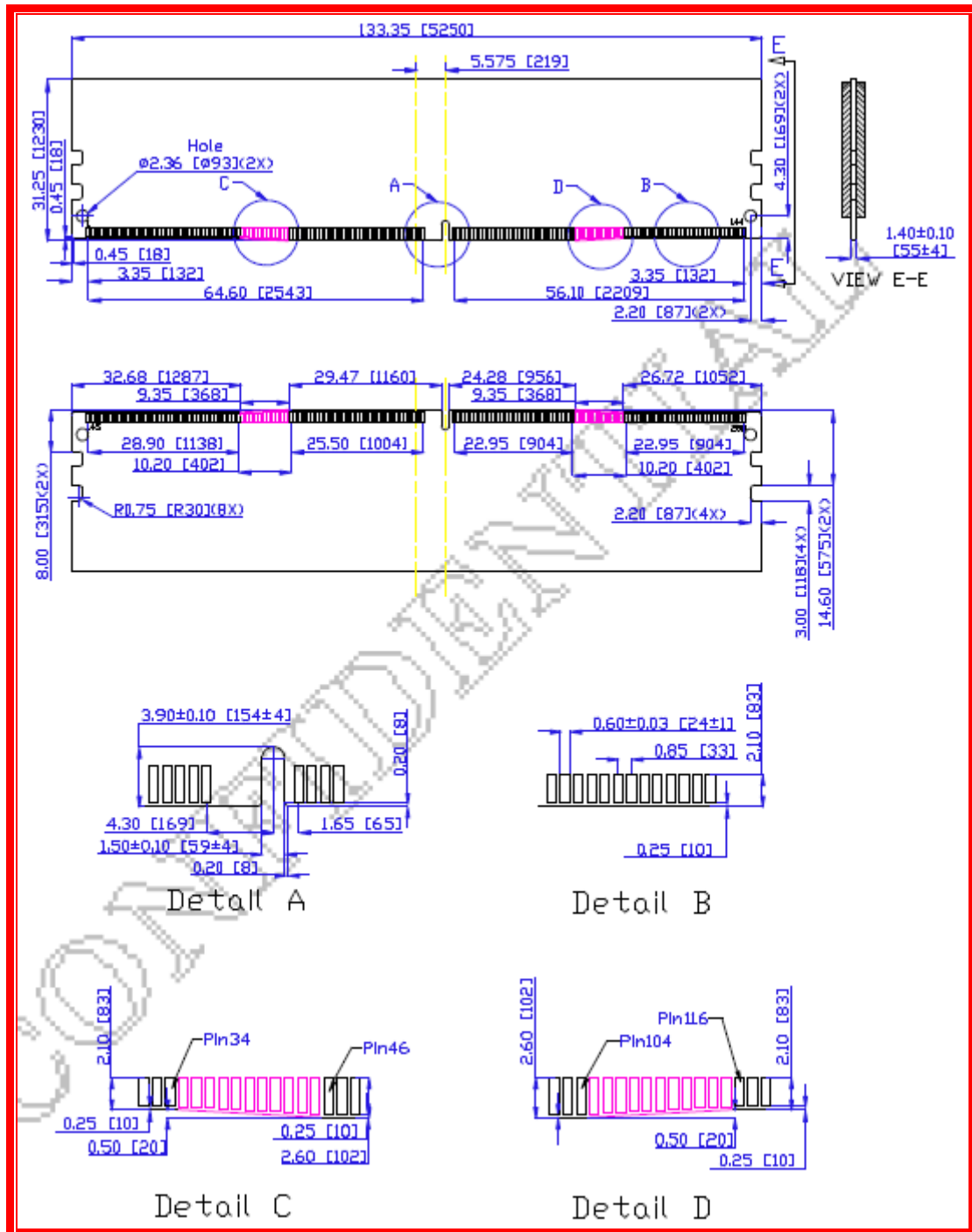
IDD3NA	Active Standby Current (AL=CL-1) AL = CL-1, Other conditions: see IDD3N	232	24	mA
IDD3P	Active Power-Down Current CKE: Low; External clock: On; tCK, CL: sRefer to Component Datasheet for detail pattern; BL: 81; AL: 0; CS_n: stable at 1; Command, Address, Bank Group Address, Bank Address Inputs: stable at 0; Data IO: VDDQ; DM_n: stable at 1; Bank Activity: all banks open; Output Buffer and RTT: Enabled in Mode Registers2; ODT Signal: stable at 0	104	24	mA
IDD4R	Operating Burst Read Current CKE: High; External clock: On; tCK, CL: Refer to Component Datasheet for detail pattern; BL: 82; AL: 0; CS_n: High between RD; Command, Address, Bank Group Address, Bank Address Inputs: partially toggling ; Data IO: seamless read data burst with different data between one burst and the next one according ; DM_n: stable at 1; Bank Activity: all banks open, RD commands cycling through banks: 0,0,1,1,2,2,... ; Output Buffer and RTT: Enabled in Mode Registers2; ODT Signal: stable at 0; Pattern Details: Refer to Component Datasheet for detail pattern	720	24	mA
IDD4RA	Operating Burst Read Current (AL=CL-1) AL = CL-1, Other conditions: see IDD4R	760	24	mA
IDD4RB	Operating Burst Read Current with Read DBI Read DBI enabled3, Other conditions: see IDD4R	752	24	mA
IDD4W	Operating Burst Write Current CKE: High; External clock: On; tCK, CL: Refer to Component Datasheet for detail pattern; BL: 81; AL: 0; CS_n: High between WR; Command, Address, Bank Group Address, Bank Address Inputs: partially toggling ; Data IO: seamless write data burst with different data between one burst and the next one ; DM_n: stable at 1; Bank Activity: all banks open, WR commands cycling through banks: 0,0,1,1,2,2,... ; Output Buffer and RTT: Enabled in Mode Registers2; ODT Signal: stable at HIGH; Pattern Details: Refer to Component Datasheet for detail pattern	624	24	mA
IDD4WA	Operating Burst Write Current (AL=CL-1) AL = CL-1, Other conditions: see IDD4W	648	24	mA
IDD4WB	Operating Burst Write Current with Write DBI Write DBI enabled3, Other conditions: see IDD4W	616	24	mA

IDD4WC	Operating Burst Write Current with Write CRC Write CRC enabled ³ , Other conditions: see IDD4W	560	24	mA
IDD4W_par	Operating Burst Write Current with CA Parity CA Parity enabled ³ , Other conditions: see IDD4W	680	24	mA
IDD5B	Burst Refresh Current (1X REF) CKE: High; External clock: On; tCK, CL, nRFC: Refer to Component Datasheet for detail pattern; BL: 81; AL: 0; CS_n: High between REF; Command, Address, Bank Group Address, Bank Address Inputs: partially toggling ; Data IO: VDDQ; DM_n: stable at 1; Bank Activity: REF command every nRFC ; Output Buffer and RTT: Enabled in Mode Registers ² ; ODT Signal: stable at 0; Pattern Details: Refer to Component Datasheet for detail pattern	1536	144	mA
IDD5F2	Burst Refresh Current (2X REF) tRFC=tRFC_x2, Other conditions: see IDD5B	1296	120	mA
IDD5F4	Burst Refresh Current (4X REF) tRFC=tRFC_x4, Other conditions: see IDD5B	976	88	mA
IDD6N	Self Refresh Current: Normal Temperature Range TCASE: 0 - 85°C; Low Power Array Self Refresh (LP ASR) : Normal ⁴ ; CKE: Low; External clock: Off; CK_t and CK_c#: LOW; CL: Refer to Component Datasheet for detail pattern; BL: 81; AL: 0; CS_n#, Command, Address, Bank Group Address, Bank Address, Data IO: High; DM_n: stable at 1; Bank Activity: Self-Refresh operation; Output Buffer and RTT: Enabled in Mode Registers ² ; ODT Signal: MIDDLELEVEL	104	32	mA
IDD6E	Self-Refresh Current: Extended Temperature Range) TCASE: 0 - 95°C; Low Power Array Self Refresh (LP ASR) : Extended ⁴ ; CKE: Low; External clock: Off; CK_t and CK_c: LOW; CL: Refer to Component Datasheet for detail pattern; BL: 81; AL: 0; CS_n, Command, Address, Bank Group Address, Bank Address, Data IO: High; DM_n:stable at 1; Bank Activity: Extended Temperature Self-Refresh operation; Output Buffer and RTT: Enabled in Mode Registers ² ; ODT Signal: MID-LEVEL	160	32	mA

<p>IDD6R</p>	<p>Self-Refresh Current: Reduced Temperature Range TCASE: 0 - TBD (~35-45)°C; Low Power Array Self Refresh (LP ASR) : Reduced4; CKE: Low; External clock: Off; CK_t and CK_c#: LOW; CL: Refer to Component Datasheet for detail pattern; BL: 81; AL: 0; CS_n#, Command, Address, Bank Group Address, Bank Address, Data IO: High; DM_n:stable at 1; Bank Activity: Extended Temperature Self-Refresh operation; Output Buffer and RTT: Enabled in Mode Registers2; ODT Signal: MID-LEVEL</p>	<p>80</p>	<p>32</p>	<p>mA</p>
<p>IDD6A</p>	<p>Auto Self-Refresh Current TCASE: 0 - 95°C; Low Power Array Self Refresh (LP ASR) : Auto4;Partial Array Self-Refresh (PASR): Full Array; CKE: Low; External clock: Off; CK_t and CK_c#: LOW; CL: Refer to Component Datasheet for detail pattern; BL: 81; AL: 0; CS_n#, Command, Address, Bank Group Address, Bank Address, Data IO: High; DM_n:stable at 1; Bank Activity: Auto Self-Refresh operation; Output Buffer and RTT: Enabled in Mode Registers2; ODT Signal: MID-LEVEL</p>	<p>104</p>	<p>32</p>	<p>mA</p>
<p>IDD7</p>	<p>Operating Bank Interleave Read Current CKE: High; External clock: On; tCK, nRC, nRAS, nRCD, nRRD, nFAW, CL: Refer to Component Datasheet for detail pattern; BL: 81; AL: CL-1; CS_n: High between ACT and RDA; Command, Address, Bank Group Address, Bank Address Inputs: partially toggling ; DataIO: read data bursts with different data between one burst and the next one ; DM_n: stable at 1; Bank Activity: two times interleaved cycling through banks (0, 1, ...7) with different addressing; Output Buffer and RTT: Enabled in Mode Registers2; ODT Signal: stable at 0; Pattern Details: Refer to Component Datasheet for detail pattern</p>	<p>1184</p>	<p>72</p>	<p>mA</p>
<p>IDD8</p>	<p>Maximum Power Down Current TBD</p>	<p>52</p>	<p>16</p>	<p>mA</p>

12. PACKAGE DIMENSION

- (4GB, 1 Rank 512Mbx8 DDR4 base UDIMM)



Note: All dimensions are in millimeters (mils) and should be kept within a tolerance of ± 0.15 (6), unless otherwise specified.

13. RoHS Declaration

innodisk	宜鼎國際股份有限公司 Innodisk Corporation	Page 1/1
Tel:(02)7703-3000 Fax:(02) 7703-3555 Internet: http://www.innodisk.com/		
RoHS 自我宣告書 (RoHS Declaration of Conformity)		
Manufacturer Product: All Innodisk EM Flash and Dram products		
一、 宜鼎國際股份有限公司 (以下稱本公司) 特此保證售予貴公司之所有產品，皆符合歐盟 2011/65/EU 關於 RoHS 之規範要求。		
Innodisk Corporation declares that all products sold to the company, are complied with European Union RoHS Directive (2011/65/EU) requirement.		
二、 本公司同意因本保證書或與本保證書相關事宜有所爭議時，雙方宜友好協商，達成協議。		
Innodisk Corporation agrees that both parties shall settle any dispute arising from or in connection with this Declaration of Conformity by friendly negotiations.		
Name of hazardous substance	Limited of RoHS ppm (mg/kg)	
鉛 (Pb)	< 1000 ppm	
汞 (Hg)	< 1000 ppm	
鎘 (Cd)	< 100 ppm	
六價鉻 (Cr 6+)	< 1000 ppm	
多溴聯苯 (PBBs)	< 1000 ppm	
多溴二苯醚 (PBDEs)	< 1000 ppm	
立 保 證 書 人 (Guarantor)		
Company name 公司名稱： <u>Innodisk Corporation 宜鼎國際股份有限公司</u>		
Company Representative 公司代表人： <u>Randy Chien 顏川騰</u>		
Company Representative Title 公司代表人職稱： <u>Chairman 董事長</u>		
Date 日期： <u>2016 / 08 / 04</u>		

Revision Log

Rev	Date	Modification
0.1	11 st March 2016	Preliminary Edition
1.0	11 st March 2016	Official Released
1.1	11 st August 2017	Modified typo