

R08IWK8M-RTU1GP

8.4" Intel® Core™ i5-8265U Ultra Rugged Tablet PC



KEY FEATURES

- 8th Gen. Intel® Core™ i5-8265U 1.6 GHz (turbo up to 3.9GHz) Ultra Rugged Tablet PC
- 8.4" 800 x 600 Resolution Transflective TFT-LCD Panel
- Plastic front cover and Alu-Mg Alloy rear cover with Protective Rubber
- Trusted platform module (TPM) V2.0
- Built-in Wireless / BT / GPS
- Optional 4G LTE
- Adjustable Kickstand that is convertible to a handle(Optional)



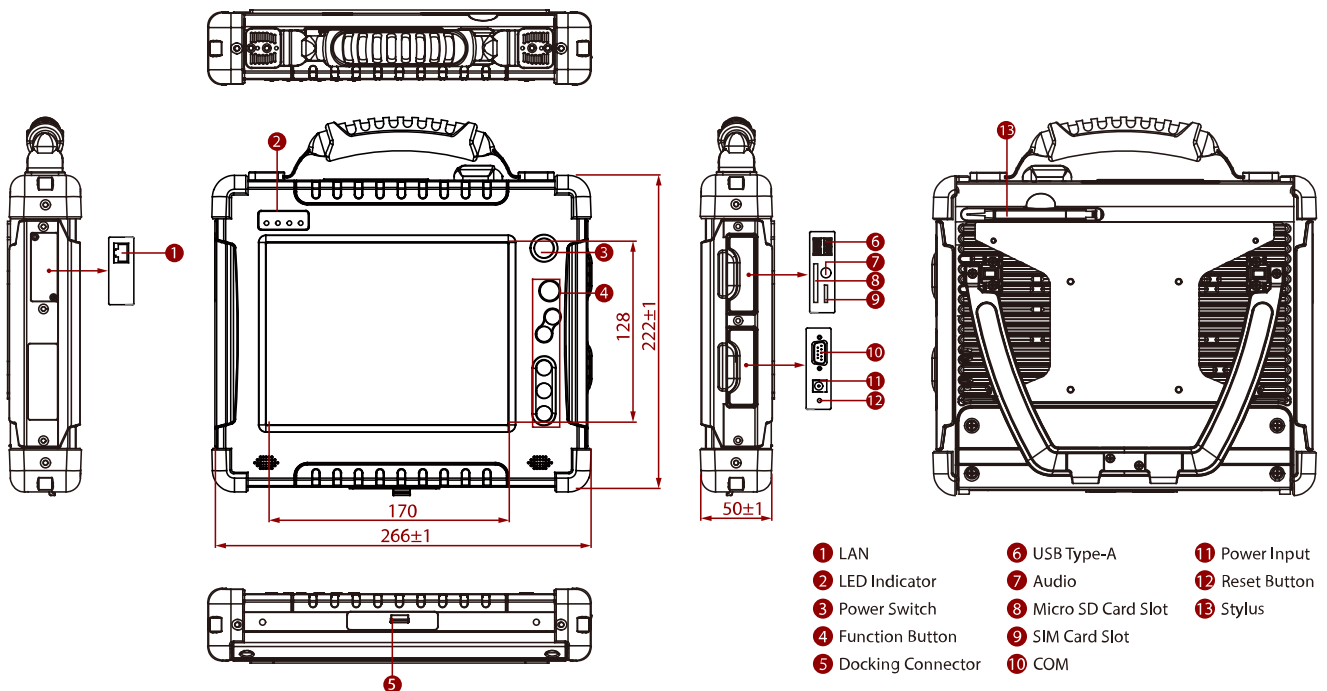
SPECIFICATIONS

Display	
Resolution	800x600
Contrast Ratio	600:1
View Angles	75,75,60,70
Size	8.4 inches
Panel Brightness	600 nits
Touch / Glass	Resistive Touch Screen Protection Glass Without Touch Function (Optional)
System Specification	
Processor	Intel® Core™ i5-8265U (6M Cache, up to 3.9 GHz)
Memory	1 x SO-DIMM, DDR4 2133 MHz, 4GB 8GB (Optional) 16GB (Optional) 32GB (Optional)
Storage	1 x M.2 2242 SSD 128GB M.2 2242 SSD up to 512GB (Optional) M.2 2280 NVME SSD, up to 4TB (Optional)
Ethernet controller	2 x Intel® Ethernet Controller
Security	TPM 2.0
Operating System	Windows 10 IoT Enterprise (Optional) Linux Ubuntu 20.04 (Optional)
WLAN	Wi-Fi Support
BT	BT Support
WWAN	4G/ LTE or 3G (Optional)
GNSS	Supports GPS GLONASS, Galileo, BeiDou) (Optional)
Mechanical	
Dimension	266 x 224 x 50.4 mm
Weight	2.39kg
Mounting	VESA Mount
Enclosure	Magnesium Alloy
Cooling System	Fanless design
Environment	
Operating Humidity	10% to 90% RH, non-condensing
Operating Temperature	-10°C to 50°C (14°F to 122°F) (Battery mode) -20°C to 60°C (4°F to 158°F) (AC mode)"
Storage Temperature	-20°C to 60°C
Shock	MIL-STD-810G Method 516.6
Vibration	MIL-STD-810G Method 514.6
IP rating	IP54
Drop	MIL-STD-810G Method 516.6, 4ft to concrete
Certification	
Certification	CE, FCC

IO Ports			
USB Port	2 x USB3.2 Gen1x1 (Type-A)	Serial Port	1 x RS232/422/485 (Default RS232)
SD Card Slot	1 x Micro SD card Slot	SIM Card Slot	1 x Micro SIM card Slot
Audio	1 x Audio Combo Connector (Mic in / Line Out) 2 x Speaker	LAN	1 x Giga LAN RJ45 Connector
Indicator	1 x LED Indicator for power 1 x LED Indicator for HDD 1 x LED Indicator for Battery status 1 x LED Indicator for Wifi		
Control			
Button	1 x Power button 1 x Menu button 1 x Up button 1 x Down button 3 x Function key button		
Accessory			
Accessory	100~240V AC to 19V DC 65W Adapter Power Cord 11.1V / 5200mAh Battery Driver CD & Manual Quick Start Guide Stylus	Optional Accessory	Adjustable Kickstand (Optional) Multi-functional Desktop Docking station (Optional) Vehicle Mounting Charger Kit (Optional) Car Power Charger (Optional) Hand Strap (Optional) Shoulder Strap (Optional) Soft Shell Case (Optional) Carry Bag (Optional)
Barcode Scanner			
Barcode Scanner	2D Barcode Reader (Optional)		
Camera			
Front Camera	2MP Camera (Optional)	Rear Camera	5MP Autofocus Camera (Optional)

DIMENSIONS UNIT:MM

Winmate R081WK8M-RTU1GP



NOTE

1. Measured at dimming LCD brightness. Varies depending on the usage conditions, or when an external device is attached.
2. This is a simplified drawing and some components are not marked in detail.
3. The product shown in this datasheet is a standard model. For diagrams that contain customized or optional I/O, please contact the Winmate Sales Team for more information.

