

# R15ITWS-MHB1-EX

## 15" Intel® Core™ i5-1135G7 HMI Panel PC



### KEY FEATURES

- Intel® 11th Generation Tiger Lake UP3 Core™ i5 CPU, HMI Panel PC
- Signature true flat display screen with edge-to-edge design
- Aluminum, anti-corrosion treated housing
- Superior sealing with front IP65 protection against dust and water
- Projected Capacitive Multi-Touch Screen (PCAP)
- Fanless Design
- Support wide range 9-29 V DC input
- Quick & Easy Removable 2.5" SSD Bay Slot
- Support PCIe x4 Card
- Class 1 Division 2, Group A-D, T4 Certification



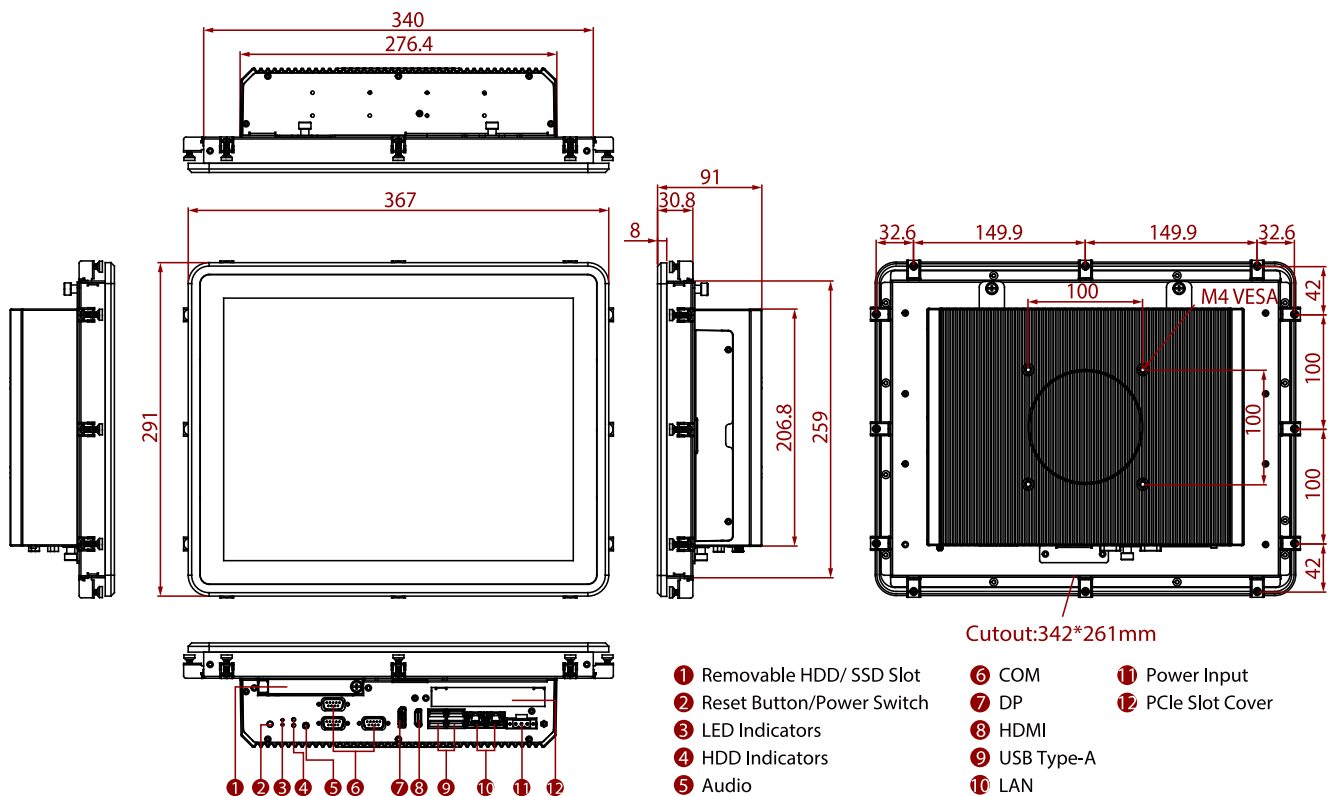
### SPECIFICATIONS

Display			
<b>Resolution</b>	1024x768	<b>Size</b>	15 inches
<b>Contrast Ratio</b>	2000:1	<b>Panel Brightness</b>	300 nits
<b>View Angles</b>	88,88,88,88	<b>Active Area</b>	304.1x228.1 mm
<b>Touch / Glass</b>	Projected Capacitive Multi Touch Screen		
System Specification			
<b>WLAN</b>	Support (Optional)	<b>BT</b>	Support (Optional)
<b>Expansion Port</b>	Modular Design for easy service in the field		<b>Processor</b>
<b>Memory</b>	2 x SODIMM, DDR4 3200 MHz, 4GB 8GB (Optional) 16GB (Optional) 32GB (Optional)	<b>Storage</b>	Intel® Tiger Lake Core™ i5-1135G7, 2.4 GHz (turbo up to 4.2GHz) 1 x M.2 2280 NVMe SSD, 128GB up to 512GB 1 x 2.5" Removable 256GB SSD up to 512GB (Optional)
<b>Ethernet controller</b>	Intel® Ethernet Controller I211-AT + Intel® Ethernet Connection I219-LM	<b>Operating System</b>	Windows 10 IoT Enterprise (Optional)
Mechanical			
<b>Dimension</b>	367 x 291 x 91 mm	<b>Mounting</b>	Panel mount VESA Mount
<b>Enclosure</b>	Metal Housing	<b>Cooling System</b>	Fanless design
<b>Cut out</b>	342x261mm		
Environment			
<b>Operating Humidity</b>	10% to 90% (non-condensing)	<b>Operating Temperature</b>	-20~60°C
<b>Storage Temperature</b>	-40~80°C	<b>Shock</b>	MIL-STD-810G Method 516.6 (Optional)
<b>Vibration</b>	MIL-STD-810G Method 514.6	<b>Altitude</b>	nan
Certification			
<b>Certification</b>	CE, FCC  Hazardous Location Safety: Class 1, Division 2, Group A, B, C, D		

IO Ports			
<b>Power Input</b>	1 x 9~29V DC, 3-Pin Terminal Block	<b>USB Port</b>	4 x USB 3.2 Gen.1 (Type-A)
<b>Serial Port</b>	2 x RS232/422/485 (Default RS232) 1 x RS232	<b>Video</b>	1 x DP1.4 1 x HDMI 2.0 (Optional)
<b>Audio</b>	1 x Audio Combo Connector (Mic in / Line Out)	<b>Expansion Port</b>	1 x mPCIe slot 1 x PCIe x16 slot (x4 signal)(module max size:180x121mm) 1 x M.2 2230 Key E slot for WiFi 1 x M.2 2280 Key M slot for NVMe SSD Swappable 2.5" HDD/SSD Bay Slot
<b>LAN</b>	2 x Giga LAN RJ45 Connector	<b>Indicator</b>	1 x LED Indicator for storage
Control			
<b>Button</b>	1 x Power Button with LED Indicator 1 x Reset Button		
Accessory			
<b>Accessory</b>	100~240V AC to DC Adapter Power Cord Open Wire Cable with terminal block connector Driver CD & Manual Mounting clips VESAs screws		
Power			
<b>Power Rating</b>	9V~29V DC with protection fuse	<b>Adapter</b>	12V 120W

## DIMENSIONS UNIT:MM

### Winmate R15ITWS-MHB1-EX



## NOTE

1. This is a simplified drawing and some components are not marked in detail.
2. The product shown in this datasheet is a standard model. For diagrams that contain customized or optional I/O, please contact the Winmate Sales Team for more information.
3. All specifications are subject to change without prior notice.