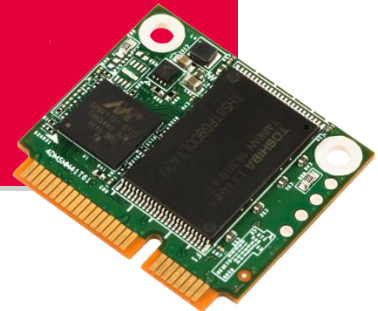


Datasheet

# mSATA mini

## 3ME4 series

- SATA 6.0 Gb/s interface
- Followed JEDEC MO-300/MO-300B standard
- LDPC technology secures SSD reliability
- DRAM-less, high-level data integrity
- L<sup>3</sup> architecture extends lifespan
- Excellent IOPS boosts system performance
- Built-in thermal sensor
- Support S.M.A.R.T, TRIM, and NCQ



## Introduction

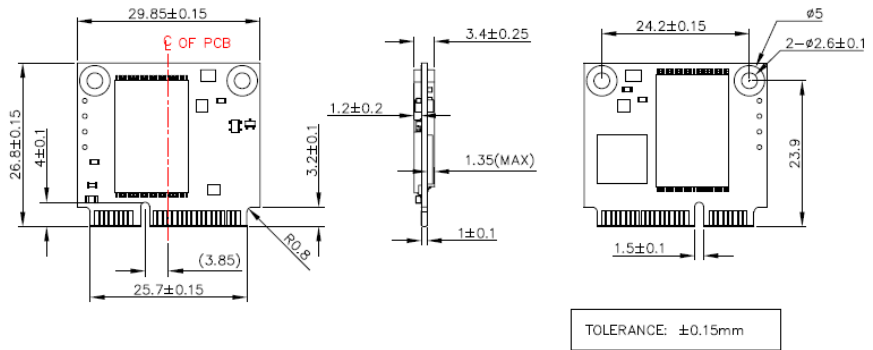
Innodisk mSATA mini 3ME4 is SATA III 6.0 Gb/s flash based disk, which adopts latest Marvell NAND controller with Innodisk's exclusive L<sup>3</sup> FW architecture. The upgraded L<sup>3</sup> FW architecture, combining Innodisk signature 4K mapping algorithm L<sup>2</sup> FW architecture with powerful LDPC technology, makes 3ME4 series have outstanding high IOPS, better data integrity and extended lifespan through reducing the bad block number happening. Built-in thermal sensor, ensure data integrity and reliability of mSATA mini 3ME4 for industrial applications.

# mSATA mini 3ME4 series

Contact us for more information about the mSATA mini 3ME4.

Innodisk is a service-driven provider of industrial embedded flash and DRAM storage products and technologies, with a focus on the industrial/embedded, aerospace and defense, and cloud computing industries.

## Diagram



## Specifications

|  |   |
|--|---|
| Interface  | SATA III  |
| Flash Type   | MLC   |
| Capacity   | 8GB~128GB   |
| Max. Channels  | 2   |
| Sequential R/W (MB/sec, max.)*   | 430 / 125   |
| 4KB Random (QD32) R/W (IOPS)**   | 31,000/29,000   |
| Max. Power Consumption   | 0.6 W ( 3.3 V x 0.2 A )   |
| Thermal Sensor   | √   |
| External DRAM Buffer   | -   |
| H/W Write Protect  | -   |
| ATA Security   | √   |
| S.M.A.R.T.   | √   |
| Dimension (WxLxH)  | 30 X 26.8 X 3.4 mm  |
| Environment  | Vibration: 20G @7~2000Hz<br>Shock: 1500G @ 0.5ms<br>Storage Temperature: -55°C ~ +95°C<br>MTBF: 3 million hours |
| * Sequential performance based on CrystalDiskMark 5.1.2 with file size 100MB |   |
| ** Random performance based on IOMeter with Queue Depth 32                   |   |

### Headquarters (Taiwan)

5F., No.237, Sec. 1, Datong Rd., Xizhi Dist., New Taipei City, Taiwan (R.O.C.)  
Tel: +886-2-77033000  
Email: sales@innodisk.com

### Branch Offices:

USA  
[usasales@innodisk.com](mailto:usasales@innodisk.com)  
+1-510-770-9421  
Europe  
[eusales@innodisk.com](mailto:eusales@innodisk.com)  
+31-(0)40-282-1818  
Japan  
[jpsales@innodisk.com](mailto:jpsales@innodisk.com)  
+81-3-6667-0161  
China  
[sales\\_cn@innodisk.com](mailto:sales_cn@innodisk.com)  
+86-755-21673689  
[www.innodisk.com](http://www.innodisk.com)

© 2016 Innodisk Corporation.  
All right reserved. Specifications are subject to change without prior notice.

## Ordering Information (Please refer to TPS for detail)

| Operation Temp.                     | 8GB               | 16GB                                   | 32GB              | 64GB              | 128GB             |
|-------------------------------------|-------------------|--|-------------------|-------------------|-------------------|
| Standard Grade<br>(0°C ~ +70°C)     | DEMSM-08GM41BC1SC | DEMSM-16GM41BC1DC<br>DEMSM-16GM41BC1SC | DEMSM-32GM41BC1DC | DEMSM-64GM41BC1DC | DEMSM-A28M41BC1DC |
| Industrial Grade<br>(-40°C ~ +85°C) | DEMSM-08GM41BW1SC | DEMSM-16GM41BW1DC<br>DEMSM-16GM41BW1SC | DEMSM-32GM41BW1DC | DEMSM-64GM41BW1DC | DEMSM-A28M41BW1DC |