

EC70B-SU

ULT

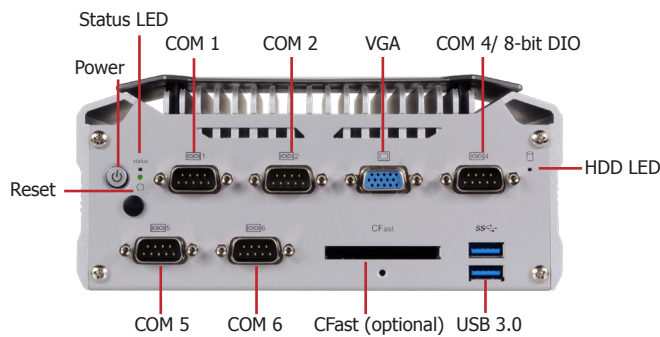


Features

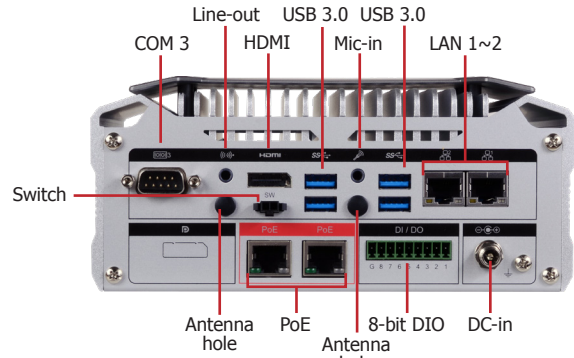
- Compact and Fanless Embedded System
- 4GB/8GB DDR4 memory onboard
- 1x mSATA-mini and 1x M.2 / CFast for storage
- Supports 2 Mini PCIe for wireless application
- Rich I/O ports: 2 PoE, 2 Intel GbE, 6 COM, 6 USB 3.0



Panel

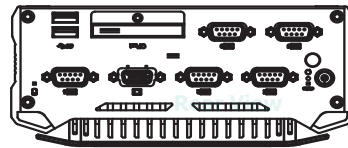


Front View



Rear View

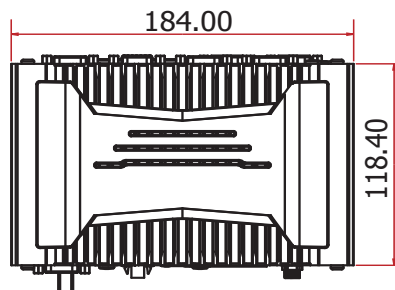
Dimensions



Rear View



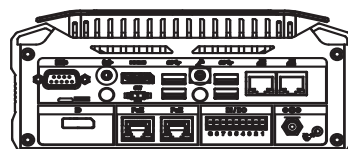
Left View



Top View



Right View

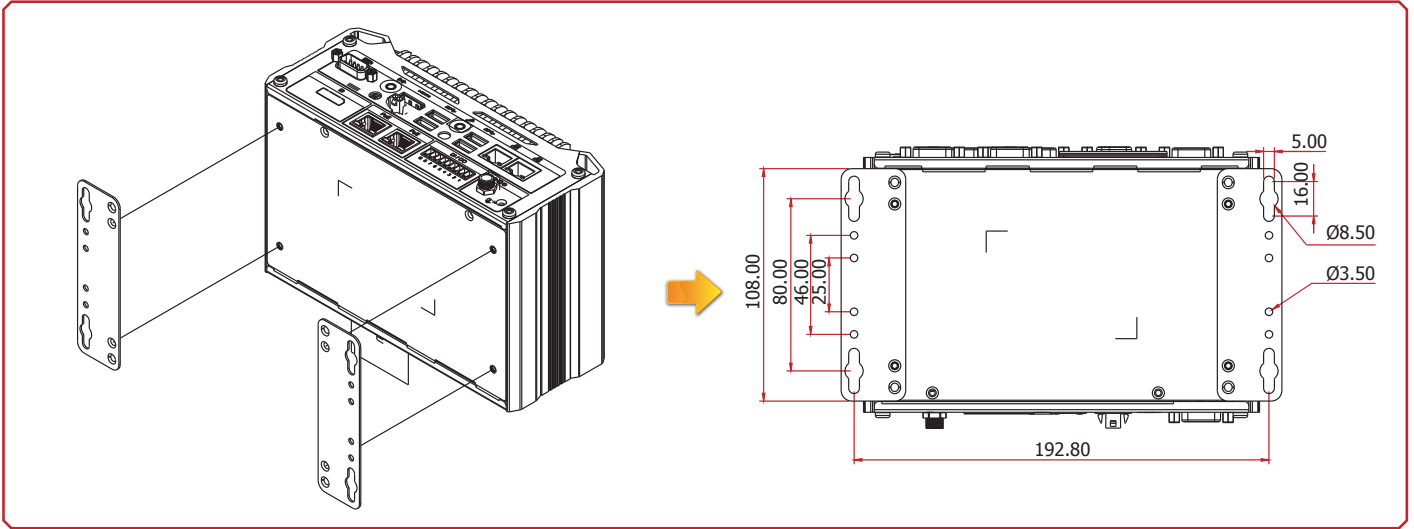


Front View

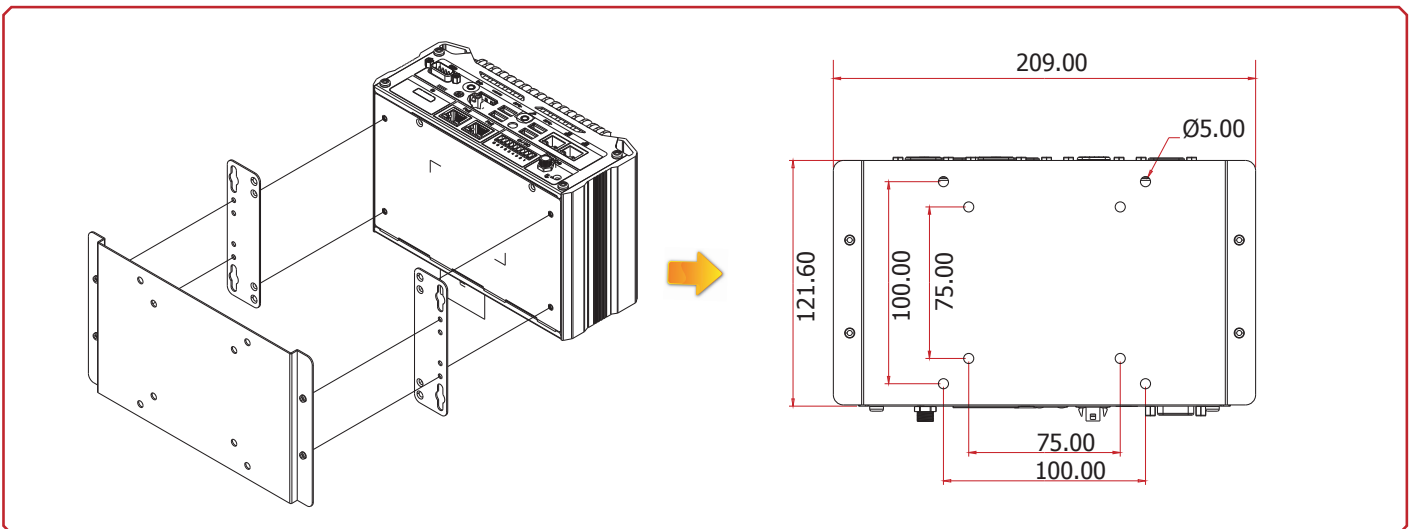
► Specifications

| | | | |
|-------------------------------------|-------------------------------|--|--------------------------------|
| SYSTEM | Processor | 6th/7th Generation Intel® Core™ Processors, BGA 1356 Intel® Core™ i7-6600U Processor, Dual Core, 4M Cache, 2.6GHz, 15W Intel® Core™ i5-6300U Processor, Dual Core, 3M Cache, 2.4GHz, 15W Intel® Core™ i3-6100U Processor, Dual Core, 3M Cache, 2.3GHz, 15W Intel® Core™ i7-7600U Processor, Dual Core, 4M Cache, 2.8GHz (3.9GHz), 15W Intel® Core™ i5-7300U Processor, Dual Core, 3M Cache, 2.6GHz (3.5GHz), 15W Intel® Core™ i3-7100U Processor, Dual Core, 3M Cache, 2.4GHz, 15W | |
| | Memory | 4GB/8GB Memory Onboard | Dual Channel DDR4 2133MHz |
| | BIOS | Insyde SPI 128Mbit | |
| | GRAPHICS | Controller | Intel® HD Graphics GT Series |
| | Feature | OpenGL 5.0, DirectX 12, OpenCL 2.1 HW Decode: AVC/H.264, MPEG2, VC1/WMV9, JPEG/MJPEG, HEVC/H265, VP8, VP9 HW Encode: AVC/H.264, MPEG2, JPEG, HEVC/H265, VP8, VP9 | |
| | Display | 1 x VGA/DP++ (DP++ available upon request) VGA: resolution up to 1920x1200 @ 60Hz 1 x HDMI/DP++ (DP++ available upon request) DP++: resolution up to 4096x2304 @ 60Hz HDMI: resolution up to 4096x2160 @ 24Hz or 2560x1600 @ 60Hz | |
| | Dual Displays | VGA + HDMI VGA + DP++ | (DP++) + HDMI (DP++) + DP++ |
| STORAGE | | 1 x mSATA-mini 1 x M.2 (2280 B Key) / CFast Slot (CFast slot available upon request) | |
| EXPANSION | Interface | 1 x Full-size Mini PCIe (PCIe+USB) 1 x Half-size Mini PCIe (USB+PCIe or USB+SATA, PCIe/SATA is selected by jumper setting, USB+SATA by default) | |
| AUDIO | Audio Codec | Realtek ALC888 5.1-channel | |
| ETHERNET | Controller | 1 x Intel® I210IT PCIe (10/100/1000Mbps) 1 x Intel® I219LM with iAMT11.0 PCIe (10/100/1000Mbps) (only Core i7/i5 supports iAMT) 2 x Intel® I210IT PCIe (10/100/1000Mbps) for PoE | |
| LED | Indicators | 1 x Power LED 1 x HDD LED | |
| FRONT I/O | Serial | 2 x RS-232/422/485 (DB-9, COM 1~2) 3 x RS-232 (DB-9, COM 4~6, COM 4 supports 8-bit DIO by jumper setting) | |
| | USB | 2 x USB 3.0 (type A) | |
| | Display | 1 x VGA | |
| | Buttons | 1 x Power Button 1 x Reset Button | |
| | Wi-Fi Antenna | 1 x Wi-Fi Module Antenna Hole | |
| REAR I/O | Ethernet | 2 x PoE (supports 802.3af) | 2 x GbE (RJ-45) |
| | Serial | 1 x RS-232 (DB-9, COM 3) | |
| | USB | 4 x USB 3.0 (type A) | |
| | Display | 1 x HDMI | |
| | Audio | 1 x Line-out 1 x Mic-in | |
| | DIO | 1 x 8-bit DIO | |
| | Wi-Fi Antenna | 2 x Wi-Fi Module Antenna Hole | |
| WATCHDOG TIMER | Output & Interval | System Reset, Programmable via Software from 1 to 255 Seconds | |
| POWER | Type | Wide Range 15~36V | |
| | Connector | DC Jack | |
| OS SUPPORT | | Windows 7 (32/64-bit) Windows 8.1 (64-bit) Windows 10 | WES 7 WES8 |
| MECHANISM | Construction | Aluminum + Metal Aluminum | |
| | Mounting | Wall/VESA/DIN Rail Mount | |
| | Dimensions (W x H x D) | 184mm x 82mm x 118.4mm | |
| | Weight | 1.6 Kg | |
| ENVIRONMENT | Operating Temperature | -20 to 60°C | |
| | Storage Temperature | -20 to 85°C | |
| | Relative Humidity | 5 to 95% RH (non-condensing) | |
| STANDARDS AND CERTIFICATIONS | Shock | Operating: 3G, 11ms Non-Operating: 5G, 11ms | |
| | Vibration | Operating: Random 5~500Hz, IEC68-2-64 (3G) Non-Operating: Sine 10~500Hz, IEC68-2-6 (3G) | |
| | Certification | CE, FCC Class A, RoHS | |

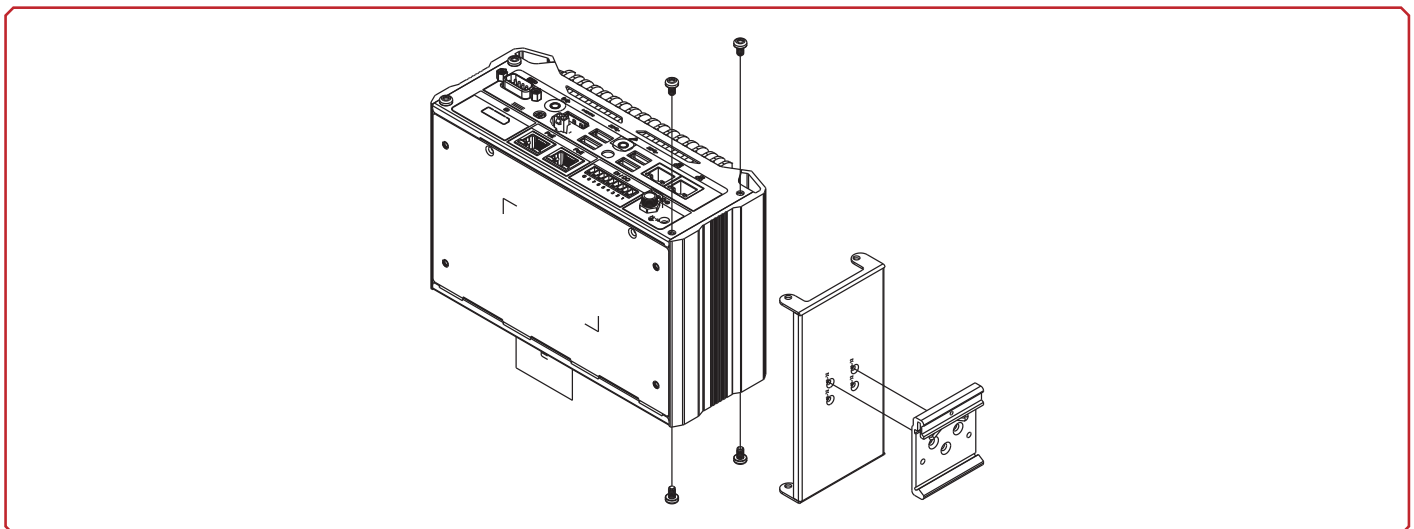
► Wall Mounting



► VESA Mounting



► DIN Rail Mounting



► Ordering Information

| Model Name | Part Number | Description |
|--------------------------|-----------------|--|
| EC70B-SU6864E-614 | 750-EC70B0-000G | Intel Core i3-6100U, 1 HDMI, 1 VGA, 2 PoE, 2 LAN, 6 COM, 6 USB, 4GB DDR4 onboard |
| EC70B-SU6864E-618 | 750-EC70B0-100G | Intel Core i3-6100U, 1 HDMI, 1 VGA, 2 PoE, 2 LAN, 6 COM, 6 USB, 8GB DDR4 onboard |
| EC70B-SU6864E-634 | 750-EC70B0-200G | Intel Core i5-6300U, 1 HDMI, 1 VGA, 2 PoE, 2 LAN, 6 COM, 6 USB, 4GB DDR4 onboard |
| EC70B-SU6864E-638 | 750-EC70B0-300G | Intel Core i5-6300U, 1 HDMI, 1 VGA, 2 PoE, 2 LAN, 6 COM, 6 USB, 8GB DDR4 onboard |
| EC70B-SU6864E-664 | 750-EC70B0-400G | Intel Core i7-6600U, 1 HDMI, 1 VGA, 2 PoE, 2 LAN, 6 COM, 6 USB, 4GB DDR4 onboard |
| EC70B-SU6864E-668 | 750-EC70B0-500G | Intel Core i7-6600U, 1 HDMI, 1 VGA, 2 PoE, 2 LAN, 6 COM, 6 USB, 8GB DDR4 onboard |

► Optional Items

| Optional Items | Part Number | Description |
|-----------------------|-----------------|--|
| Storage | 785-MW128GMH | mSATA-mini Card, 128GB MLC, -40 to 85°C, RoHS |
| | 785-MW64GMH | mSATA-mini Card, 64GB MLC, -40 to 85°C, RoHS |
| | 785-MW32GMH | mSATA-mini Card, 32GB MLC, -40 to 85°C, RoHS |
| Wi-Fi | 785-WIFIKT | Wi-Fi Kit, RoHS |
| Power Cord | 785-PWRD | Power Cord, Standards (USA/EUR/CH), 1.8m, RoHS |
| Power Adapter | 671-110003-100G | 120W, 19V/6.31A, Level 6, RoHS |
| | 671-106011-000G | 60W, 19V/3.15A, Level 6, RoHS |
| Wall Mount | 761-EC8000-000G | EC700/EC800/EC70A/EC70B Wall Mount Kit, RoHS |
| VESA Mount | 761-EC7000-100G | EC700/EC70A/EC70B VESA Mount Kit, RoHS |
| DIN Rail Mount | 761-EC70B0-000G | EC70B DIN Rail Mount Kit, RoHS |
| DC Cord | A81-004031-007G | UL 1185 (5.5x2.5x9.5mm) with Nut to stripped and tinned, length 1000mm |

► Packing List

| |
|--|
| • 1 EC70B-SU system unit |
| • Mounting screws for Mini PCIe module |
| • 1 Quick Installation Guide |