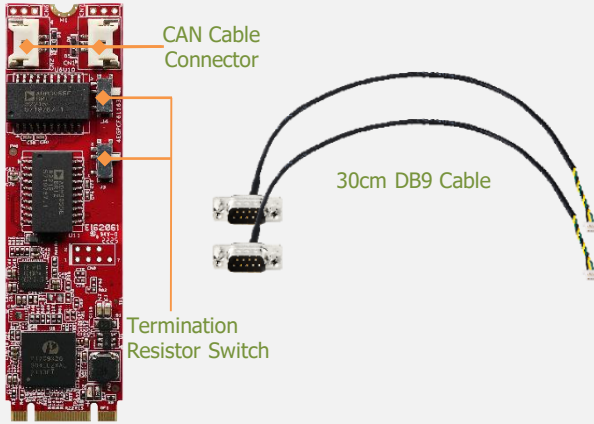
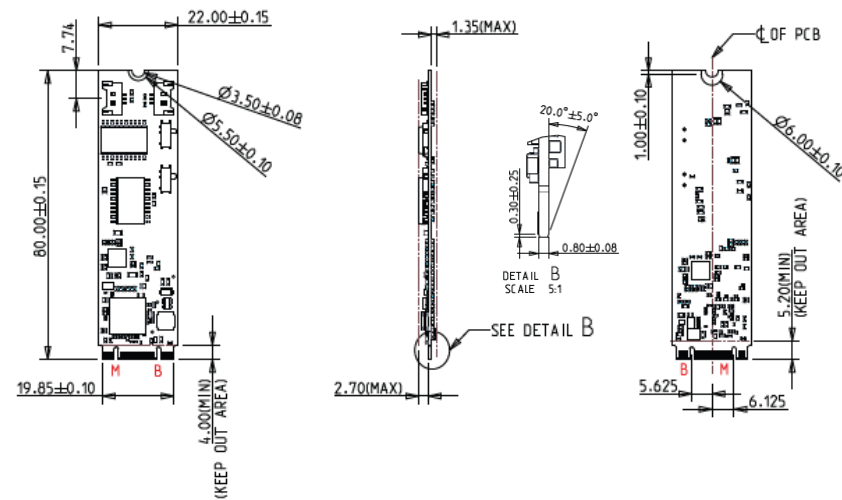


Features

- Compliant with PCI Express 1.1
- Meet the Requirements of the ISO 11898-1
- CAN bus 2.0B backward compatible with 2.0A
- Support baud rate 10/20/50/100/250/500/800/1000K
- Support CAN message acceptance filter
- Support Linux SocketCAN
- Support SAE J1939/CANopen high layer protocol (Optional)
- Compliant with IEC 60950-1:2005 + A1: 2009 + A2:2013 2.5kV HiPOT protection
- Compliant with EN61000-4-2 (ESD) Air-15kV, Contact-8kV
- Termination resistor enabled/disabled by switch
- 30μ" golden finger, 3-year warranty
- Industrial Temperature (-40°C to +85°C) support
- Industrial design, manufactured in Innodisk Taiwan





Mechanical Drawing



3pin CAN Connector Pin Define	
1	CAN-L
2	CAN-H
3	GND

CAN DB9 Connector Pin Define	
1	NC
2	CAN-L
3	GND
4	NC
5	NC
6	NC
7	CAN-H
8	NC
9	NC

Slide Switch (Termination Resistor)	
1	Enable 
3	Disable 

Specifications

Form-Factor	M.2 2280 B-M
Input I/F	PCI Express 1.1
Output I/F	CANbus 2.0B
Output Connector	DB-9 x 2
Power Consumption	MAX: 2.834W (3.3V, 859mA)
Dimension (WxLxH)	22 x 80 x 4.85 mm
Temperature	Operation: W/T: -40°C ~ +85°C Storage: -55°C ~ +95°C
Environment	Vibration: 5G @7~2000Hz, Shock: 50G @ 0.5ms
Notes	Download driver and API from MyInnodisk website. Windows: 7(32/64bit), 8/8.1(32/64bit), 10(32/64bit) Linux: SocketCAN driver from Kernel 2.6.38 and above (32/64bit)

Order information

EGPC-B2S1-W1 (CAN 2.0B)

M.2 2280 to dual isolated CANbus 2.0B module

EGPC-B2S1-W2 (J1939/CANopen)

M.2 2280 to dual isolated J1939/CANopen module

Headquarters (Taiwan)
5F., No.237, Sec. 1, Datong Rd.,
Xizhi Dist., New Taipei City 221,
Taiwan

Tel: +886-2-7703-3000
Email: sales@innodisk.com

Branch Offices:

USA
usales@innodisk.com
+1-510-770-9421

Europe
eusales@innodisk.com
+31-40-3045-400

Japan
jpsales@innodisk.com
+81-3-6667-0161

China
sales_cn@innodisk.com
+86-755-2167-3689

www.innodisk.com

© 2022 Innodisk Corporation.
All right reserved. Specifications
are subject to change without
prior notice.

October 3, 2022