

Datasheet

M.2 (P80) 3IE6-P series

- PCIe Gen. III x4, NVMe 1.3
- Excellent data transfer speed
- Stable sustained performance
- Heat-spreading design
- LDPC ECC engine supported
- Support iSLC technology



Introduction

Innodisk M.2 (P80) 3IE6-P is iSLC series which is designed to outdo the endurance, performance and reliability of 3D TLC-based solutions. Through the use of flash management algorithms, iSLC improves SSD endurance up to 30,000 times. In addition, iSLC improves the performance of solid state drives, with similar write performance of SLC-based solutions. The Innodisk iSLC series is cost efficient, boasting excellent benefits at only half the price of SLC-based solutions.

Innodisk M.2 (P80) 3IE6-P supports PCIe Gen III x4, and it is compliant with NVMe 1.3 providing excellent performance. M.2 (P80) 3IE6-P with heat-spreading design dissipate heat generating from IC making SSD perform more steady, and have Die RAID protection to reduce bad blocks happening and optimize data integrity.

Innodisk M.2 (P80) 3IE6-P provides ultra-speed and high IOPS and offers maximum capacity up to 640GB, making the SSD optimal for server and heavy data workload applications.

M.2 (P80) 3IE6-P series

Contact us for more information
about the M.2 (P80) 3IE6-P.

Innodisk is a service-driven provider of industrial embedded flash and DRAM storage products and technologies, with a focus on the cloud computing, industrial/embedded, and aerospace and defense industries.

Headquarters (Taiwan)

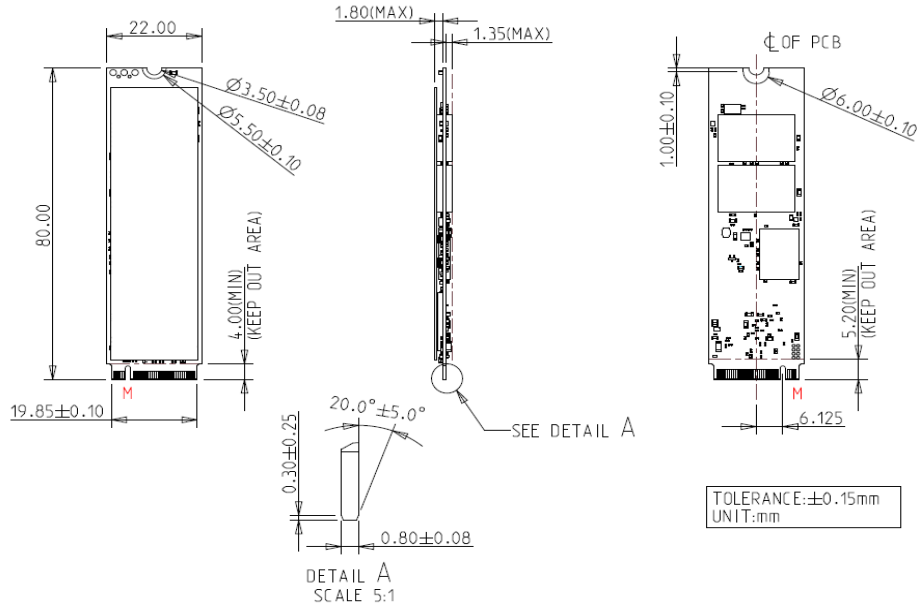
5F., No. 237, Sec. 1, Datong Rd., Xizhi Dist., New Taipei City 221, Taiwan
Tel: +886-2-7703-3000
Email: sales@innodisk.com

Branch Offices:

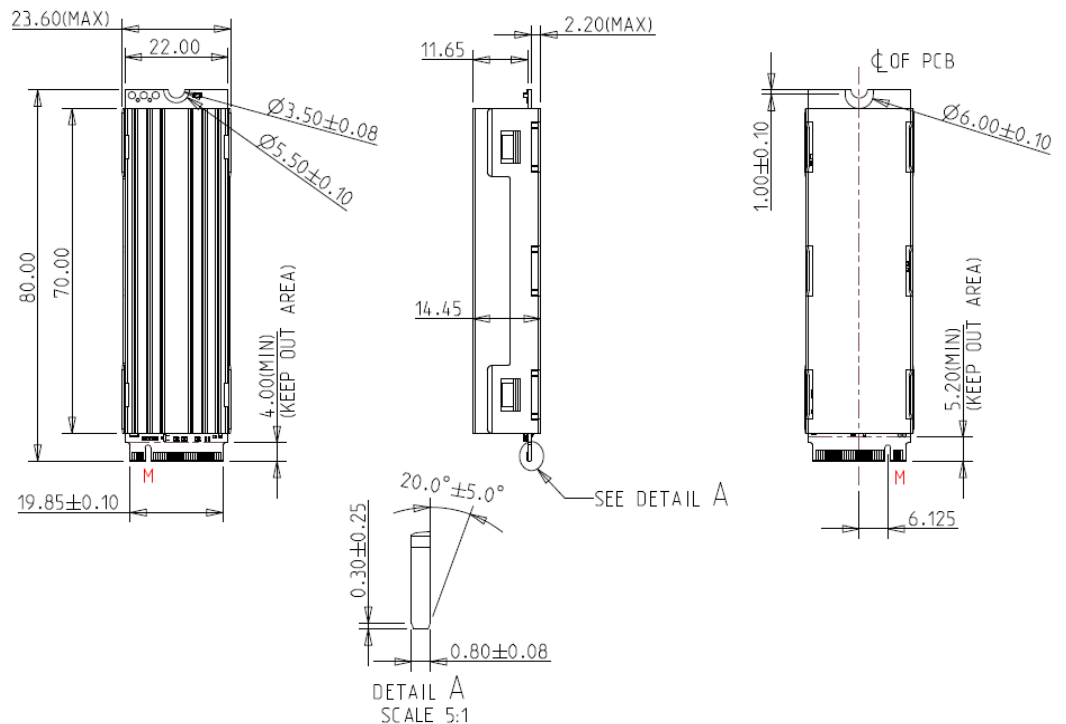
USA
usasales@innodisk.com
+1-510-770-9421
Europe
eusales@innodisk.com
+31-40-3045-400
Japan
jpsales@innodisk.com
+81-3-6667-0161
China
sales_cn@innodisk.com
+86-755-21673689
www.innodisk.com

© 2022 Innodisk Corporation.
All right reserved. Specifications are subject to change without prior notice.

Diagram(ST)



Diagram(WT)



M.2 (P80) 3IE6-P series

Contact us for more information
about the M.2 (P80) 3IE6-P.

Innodisk is a service-driven provider of industrial embedded flash and DRAM storage products and technologies, with a focus on the cloud computing, industrial/embedded, and aerospace and defense industries.

Headquarters (Taiwan)

5F., No. 237, Sec. 1, Datong Rd., Xizhi
Dist., New Taipei City 221, Taiwan
Tel: +886-2-7703-3000
Email: sales@innodisk.com

Branch Offices:

USA
usasales@innodisk.com
+1-510-770-9421
Europe
eusales@innodisk.com
+31-40-3045-400
Japan
jpsales@innodisk.com
+81-3-6667-0161
China
sales_cn@innodisk.com
+86-755-21673689
www.innodisk.com

© 2022 Innodisk Corporation.
All right reserved. Specifications are
subject to change without
prior notice.

20220104

Specifications

Interface	PCIe Gen. III x4
Flash Type	iSLC
P/E cycle	30,000
Capacity	40GB~640GB
Max. Channels	8
Sequential R/W (MB/sec, max.)	3550/2700
Max. Power Consumption	5.8W
Thermal Sensor	√
External DRAM buffer	√
H/W Write Protect	NA
Dimension (WxLxH)	ST with heat-spreading copper layer: 22.0 X 80.0 X 3.95 mm WT with heatsink: 23.6 X 80.0 X 14.45 mm (Pure M.2: 22.0 X 80.0 X 3.5 mm)
Environment	Vibration: 20G @7~2000Hz Shock: 1500G @ 0.5ms Storage Temperature: 40°C ~ +85°C MTBF: 3 million hours

Ordering Information

Operation Temp.	40GB	80GB	160GB	320GB	640GB
Standard Grade (0°C ~ +70°C)	DHM28-40GDC1 GCADL	DHM28-80GDC1 GCAQL	DHM28-A60DC1 GCAEL	DHM28- D2GDC1GCAEL	DHM28- F4GDC1GCAEQ
Industrial Grade (-40°C ~ +85°C)	DHM28-40GDC1 GWADLH	DHM28-80GDC1 GWAQLH	DHM28-A60DC1 GWAEHL	DHM28- D2GDC1GWAEHL	DHM28- F4GDC1GWAEQH