

# FM10Q

## 10.4" Android Forklift Computers with Qualcomm® Snapdragon™ 660



### KEY FEATURES

- Qualcomm Snapdragon™ 660 octa-core, 2.2 GHz CPU, Android forklift computers
- 10.4" 1024 x 768 Panel with PCAP touchscreen
- Field replaceable front panel to reduce service costs
- IP65 waterproof and dustproof
- Wide range -30°C to 50°C operating temperature



### SPECIFICATIONS

Display			
<b>Resolution</b>	1024x768	<b>Size</b>	10.4 inches
<b>Contrast Ratio</b>	1200:1	<b>Panel Brightness</b>	400 nits 800 nits(Optional)
<b>View Angles</b>	88,88,88,88	<b>Type</b>	Projected Capacitive Multi Touch
<b>Touch Mode</b>	With Stylus Support With Gloves Support		
System Specification			
<b>Processor</b>	Qualcomm® Snapdragon™ 660 (Octa-Core 2.2 GHz)	<b>Memory</b>	3GB
<b>Storage</b>	32GB	<b>Operating System</b>	Android 9.0
<b>WLAN</b>	Support	<b>BT</b>	Support
<b>WWAN</b>	4G/LTE (Optional)	<b>GNSS</b>	GPS/GLONASS
<b>Sensors</b>	G-Sensor, Temp. Sensor		
Camera			
<b>Front Camera</b>	2MP Camera		
Mechanical			
<b>Dimension</b>	Tablet: 268 x 214 x 35 mm (10.6 x 8.42 x 1.37 inches) Docking: 202 x 245 x 52 mm (7.9 x 9.6 x 2.04 inches)	<b>Weight</b>	Tablet 1.6 kg (3.53 lbs) Docking 1.6 kg (3.53 lbs)
<b>Mounting</b>	RAM Mount/ Vesa Mount	<b>Cooling System</b>	Fanless Design
<b>Docking Housing</b>	Aluminum Alloy Housing		
IO Ports			
<b>USB Port</b>	1 x USB 3.0 Type C (OTG)(Tablet) 1 x DB9 Connector for 2 x USB 2.0 Port(Docking)	<b>Serial Port</b>	2 x COM Port(Docking)
<b>SD Card Slot</b>	1 x Micro SD Card Slot(Tablet)	<b>SIM Card Slot</b>	1 x Dual-Nano SIM Card Slot(Tablet)
<b>Audio</b>	2 x Speaker(Docking) 1 x CANBus or 1 x Audio(Docking)	<b>LAN</b>	1 x Gigabit LAN port(Docking)
<b>Indicator</b>	4 x LED Indicator (Wi-Fi, BT, UPS battery, Screen Blanking, Heater)		
Environment			
<b>Operating Humidity</b>	5% to 95% RH, Non-Condensing	<b>Operating</b>	-30°C to 50°C

<b>Storage Temperature</b>	-30°C to 60°C	<b>Temperature</b>	
<b>Vibration</b>	MIL-STD-810G Method 514.6 Procedure I	<b>Shock</b>	MIL-STD-810G Method 516.6 Procedure I
<b>Impact</b>	Support EN62262 IK07 Rating	<b>IP rating</b>	IP65, Compliance IEC60592
		<b>ESD</b>	Compliant with EN 61000-4-2, Enhanced ESD to ±8kV Direct & ±15kV Air

**Certification**

<b>Certification</b>	CE, FCC
----------------------	---------

**Control**

<b>Button</b>	1 x Power Button, 6 x Function Button (Programmable Function Key Configured by Winset)
---------------	--

**Power**

<b>Battery</b>	7.6V UPS Battery (2S1P) Minimum 30 minutes	<b>Power Rating</b>	Docking: 10V-60V with ignition control Tablet: 12V DC In
----------------	---	---------------------	---

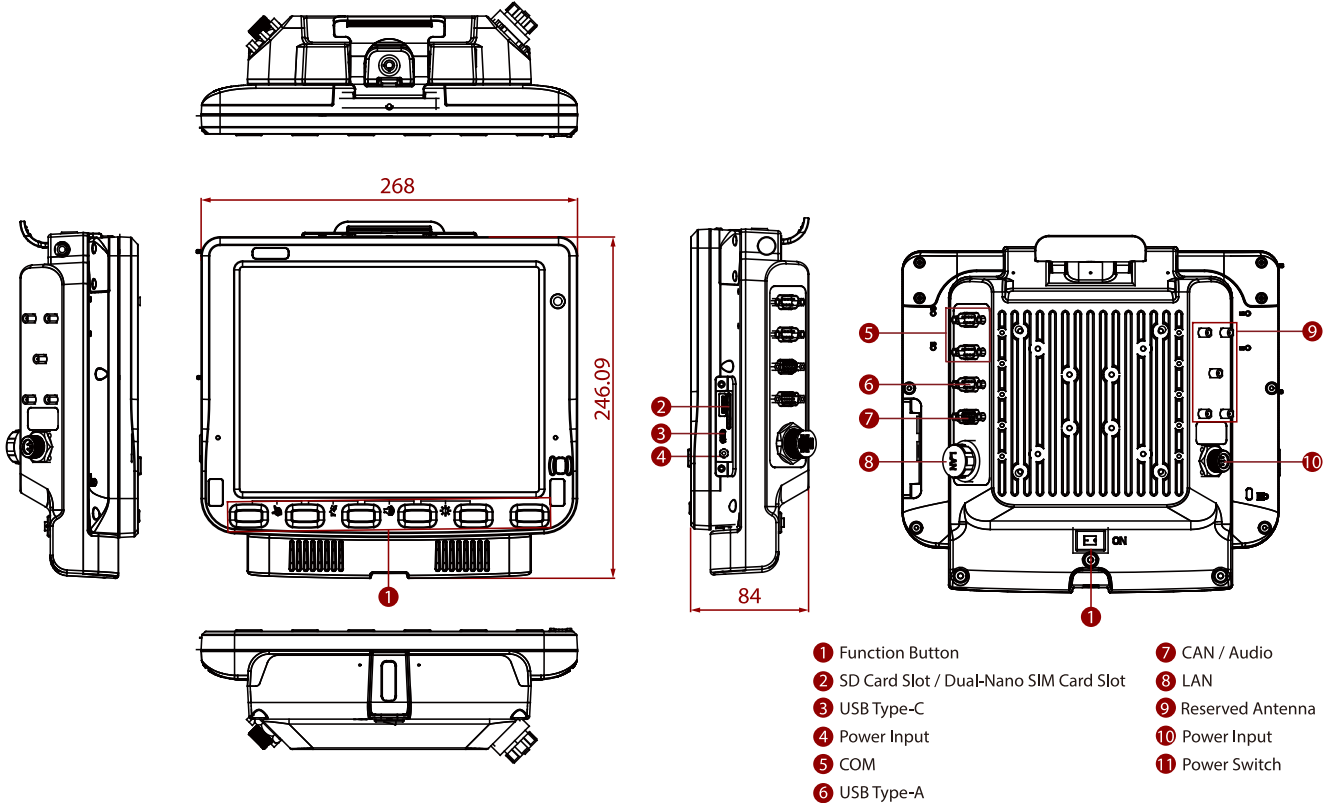
**Security Function**

<b>SOTI MobiControl</b>	SOTI MobiControl Compliance
-------------------------	-----------------------------

**Accessory**

<b>Accessory</b>	5M Power Cable with Fuse Kit 0.3M USB Cable 0.15M Power Converter Cable DC Jack Power Cable 84W Adapter with power cable Cable Clamp Kit Wi-Fi Antenna x 2 Quick Start Guide External Antenna Fixing Bracket Dock + Latch Locking Key Stylus Kit + Screw	<b>Optional Accessory</b>	1.8M RS232 Cable 0.3M Audio Cable 1.8M CAN BUS Cable 1.8M CAN BUS Open Wire Cable 2M IP65 LAN Cable GPS & LTE 2M Combo Antenna(VM240) GPS & LTE 5M Combo Antenna (VM9C) Magnetic Combo Antenna (VM10S) WWN Antenna HDMI Adapter
------------------	--	---------------------------	--

**DIMENSIONS** UNIT:MM



## NOTE

1. Total usable memory will be less dependent upon actual system configuration.
2. CANBus and audio are mutually exclusive.
3. The heater is a customized feature available by request.
4. SOTI is available upon request.
5. Length measurements do not include protrusions. Weight varies with options.
6. Measured at dimming LCD brightness. Varies depending on the usage conditions, or when an external device is attached.
7. Accessories may vary depending on your configuration.
8. Two Wi-Fi antennas are included in the standard package.
9. The product shown in this datasheet is a standard model. For diagrams that contain customized or optional I/O, please contact the Winmate Sales Team for more information.
10. Please order one bracket for one antenna. For example, if you plan to use two antennas, please order two brackets.
11. Notice that only one antenna is included in the package. If you plan to use the WWAN function please order two WWAN antennas.
12. This is a simplified drawing and some components are not marked in detail.