

IK32

Intel® Core™ i5-7200U single computer board



KEY FEATURES

- 3.5" Form Factor (146mm x 102mm), single computer board
- Intel® Core™ i5-7200U Processor
- Intel® SoC Integrated
- One DDR4-2133 SO-DIMM RAM
- Integrated Dual Gigabit Ethernet
- 2 x SATA III, 5 x COM, 2 x USB 3.0, 4 x USB 2.0
- 1 x M.2 2242 Key B Slot (for SATA III SSD)
- 1 x M.2 2230 Key E Slot (for PCIe + USB 2.0 Wireless Module)
- 1 x HDMI



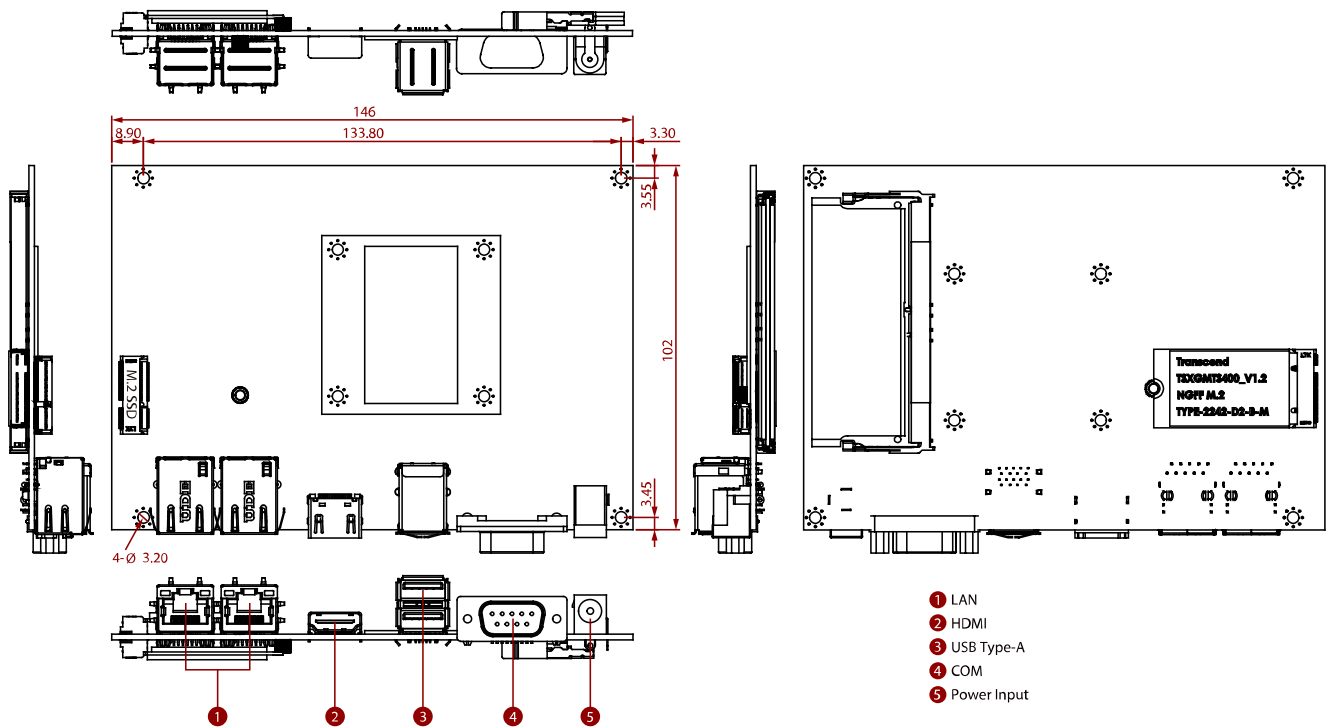
SPECIFICATIONS

System Specification			
Processor	Intel® Core™ i5-7200U (3M Cache, up to 3.10 GHz) Intel® Core™ i5-7300U (3M Cache, up to 3.50 GHz)	Memory	1 x SO-DIMM, DDR4 2133 MHz, 4GB 8GB (Optional) 16GB (Optional)
Storage	1 x M.2 2242 SSD 128GB M.2 2242 SSD up to 512GB (Optional)	Ethernet controller	2 x Intel® Ethernet Controller
Security	TPM 2.0	Operating System	Windows 10 IoT Enterprise (Optional) Linux Ubuntu 20.04 (Optional)
IO Ports			
Power Input	1 x 12V DC, 2.5φ DC jack	USB Port	2 x USB3.2 Gen1x1 (Type-A)
Serial Port	1 x RS232/422/485 (Default RS232)	Video	1 x HDMI 1.4 (Optional)
Expansion Port	1 x M.2 2242 Key B slot for SSD 1 x M.2 2230 Key E slot for WiFi (Optional)	LAN	2 x Giga LAN RJ45 Connector
Internal IO Ports			
Power input	1 x 2pin(1x2) for 12V DC in 1 x 4pin(1x4) for 12V DC in	Power output	1 x 2pin(1x2) blue wafer for 3.3V DC out 1 x 2pin(1x2) red wafer for 5V DC out 1 x 2pin(1x2) yellow wafer for 12V DC out
USB	2 x 8pin(2x4) for 4 x USB 2.0	Serial port	4 x 10pin(2x5) for RS232
Display	1 x 40pin DF13 connector for LVDS 1 x 30pin DF13 connector for eDP (Optional) 1 x 10pin(2x5) for VGA (Optional)	Backlight	1 x 7pin(1x7) for panel backlight
SATA	2 x SATA III 1 x 8pin(2x4) for SATA power	DIDO	1 x 14pin(2x7) for Digital input/output
VR	1 x 3pin(1x3) for Digital panel backlight brightness control 1 x 3pin(1x3) VR/Software brightness switch jumper 1 x 3pin(1x3) PWM/DC brightness switch jumper 1 x 3pin(1x3) 3.3V/5V PWM Level switch jumper	Fan	1 x 3pin(1x3) for CPU Fan
OSD	1 x 10pin(2x5) for OSD control	Speaker	2 x 2pin(1x2) for Speaker
Backup battery	1 x 2pin(1x2) for RTC battery	Audio	1 x 12pin(2x6) for Line in/Line out/ Mic in
BIOS debug	1 x 10pin(2x5) for LPC debug		
Certification			
Certification	CE, FCC		

Mechanical			
Dimension	146 x 102 mm		
Environment			
Operating Humidity	10 °C @ 95% RH, (non-condensing)	Operating Temperature	0~60°C
Storage Temperature	-40~70°C		
Accessory			
Accessory	Manual & Driver CD		

DIMENSIONS UNIT:MM

Winmate 3.5" x86 Embedded Board IK32



NOTE

1. This is a simplified drawing and some components are not marked in detail.
2. Please contact our sales representative if you need further product information.
3. All specifications are subject to change without prior notice.
4. The product shown in this datasheet is a standard model. For diagrams that contain customized or optional I/O, please contact the Winmate Sales Team for more information.