

IP65 Stainless B Series Panel PC with Push Buttons

Intel® Celeron® N2930 (2M Cache, up to 2.16 GHz)

10.1" / 15" / 19" / 21.5"



Model No. W10IB3S-SPH2-B
R15IB3S-SPC3-B
R19IB3S-SPM1-B
W22IB3S-SPA3-B

Quick Start Guide

Contents

Chapter 1: Introduction	6
1.1 Overview	6
1.2 Features.....	6
1.3 Package Content	7
1.4 Product Overview	8
1.5 Front Side USB Type-A Connector	10
1.6 Front Side Push Buttons	11
1.7 Rotary Switch for Touch Mode.....	12
1.8 Rear Side Physical Buttons	13
1.9 LED Indicators	13
Chapter 2: Installation	14
2.1 Mounting	14
2.1.1 VESA Mount.....	14
2.1.2 Yoke Mount	15
2.2 Connecting Peripherals	16
2.2.1 Power Connector.....	16
2.2.2 LAN Connector	17
2.2.3 USB Connector	17
2.2.4 USB Type-A Connector.....	18
2.2.5 RS-232 Connector.....	18
2.2.6 Connector 1 for Push Button Extension	19
2.2.7 Connector 2 for Push Button Extension	19
2.3 Cleaning the Monitor.....	20
Chapter 3: Getting Started	21
3.1 Connecting to Power Source	21
3.2 Turning On/ Off the Device	22
3.3 Emergency Stop	22
Chapter 4: Troubleshooting	23
4.1 Basic Troubleshooting	23
Appendix	24
Appendix A: Hardware Specifications.....	24

FCC Statement



This device complies with part 15 FCC rules.

Operation is subject to the following two conditions:

- This device may not cause harmful interference.
- This device must accept any interference received including interference that may cause undesired operation.

This equipment has been tested and found to comply with the limits for a class "B" digital device, pursuant to part 15 of the FCC rules. These limits are designed to provide reasonable protection against harmful interference when the equipment is operated in a commercial environment. This equipment generates, uses, and can radiate radio frequency energy and, if not installed and used in accordance with the instruction manual, may cause harmful interference to radio communications. Operation of this equipment in a residential area is likely to cause harmful interference in which case the user will be required to correct the interference at his own expense.

European Union



Electromagnetic Compatibility Directive (2014/30/EU)

- EN55024: 2010/ A1: 2015
 - IEC61000-4-2: 2009
 - IEC61000-4-3: 2006+A1: 2007+A2: 2010
 - IEC61000-4-4: 2012
 - IEC61000-4-5: 2014
 - IEC61000-4-6: 2014
 - IEC61000-4-8: 2010
 - IEC61000-4-11: 2004
- EN55032: 2012/AC:2013
- EN61000-3-2:2014
- EN61000-3-3:2013

Low Voltage Directive (2014/35/EU)

- EN 60950-1:2006/A11:2009/A1:2010/A12:2011/ A2:2013

This equipment is in conformity with the requirement of the following EU legislations and harmonized standards. Product also complies with the Council directions.

Copyright Notice

No part of this document may be reproduced, copied, translated, or transmitted in any form or by any means, electronic or mechanical, for any purpose, without the prior written permission of the original manufacturer.

Trademark Acknowledgement

Brand and product names are trademarks or registered trademarks of their respective owners.

Disclaimer

Winmate Inc. reserve the right to make changes, without notice, to any product, including circuits and/or software described or contained in this manual in order to improve design and/or performance. We assume no responsibility or liability for the use of the described product(s) conveys no license or title under any patent, copyright, or masks work rights to these products, and make no representations or warranties that these products are free from patent, copyright, or mask work right infringement, unless otherwise specified. Applications that are described in this manual are for illustration purposes only. We make no representation or guarantee that such application will be suitable for the specified use without further testing or modification.

Warranty

Winmate Inc. warranty guarantees that each of its products will be free from material and workmanship defects for a period of one year from the invoice date. If the customer discovers a defect, we will, at his/her option, repair or replace the defective product at no charge to the customer, provide it is returned during the warranty period of one year, with transportation charges prepaid. The returned product must be properly packaged in its original packaging to obtain warranty service. If the serial number and the product shipping data differ by over 30 days, the in-warranty service will be made according to the shipping date. In the serial numbers the third and fourth two digits give the year of manufacture, and the fifth digit means the month (e. g., with A for October, B for November and C for December).

For example, the serial number 1W19Axxxxxxx means October of year 2019.

Customer Service

We provide a service guide for any problem by the following steps: First, visit the website of our distributor to find the update information about the product. Second, contact with your distributor, sales representative, or our customer service center for technical support if you need additional assistance.

You may need the following information ready before you call:

- Product serial number
- Software (OS, version, application software, etc.)
- Description of complete problem
- The exact wording of any error messages

In addition, free technical support is available from our engineers every business day. We are always ready to give advice on application requirements or specific information on the installation and operation of any of our products.

Advisory Conventions

Four types of advisories are used throughout the user manual to provide helpful information or to alert you to the potential for hardware damage or personal injury. These are Notes, Important, Cautions, and Warnings. The following is an example of each type of advisory.



Note:

A note is used to emphasize helpful information



Important:

An important note indicates information that is important for you to know.



Caution A Caution alert indicates potential damage to hardware and explains how to avoid the potential problem.

Attention Une alerte d'attention indique un dommage possible à l'équipement et explique comment éviter le problème potentiel.



Warning! An Electrical Shock Warning indicates the potential harm from electrical hazards and how to avoid the potential problem.

Avertissement! Un Avertissement de Choc Électrique indique le potentiel de chocs sur des emplacements électriques et comment éviter ces problèmes.



Alternating Current ! The Protective Conductor Terminal (Earth Ground) symbol indicates the potential risk of serious electrical shock due to improper grounding.

Mise à la terre ! Le symbole de Mise à Terre indique le risqué potentiel de choc électrique grave à la terre incorrecte.

Safety Information



Warning! Always completely disconnect the power cord from your chassis whenever you work with the hardware. Do not make connections while the power is on. Sensitive electronic components can be damaged by sudden power surges. Only experienced electronics personnel should open the PC chassis.

Avertissement ! Toujours débrancher le cordon d'alimentation du chassis lorsque vous travaillez sur celui-ci. Ne pas brancher de connexions lorsque l'alimentation est présente. Des composantes électroniques sensibles peuvent être endommagées par des sauts d'alimentation. Seulement du personnel expérimenté devrait ouvrir ces chassis.



Caution Always ground yourself to remove any static charge before touching the CPU card. Modern electronic devices are very sensitive to static electric charges. As a safety precaution, use a grounding wrist strap at all times. Place all electronic components in a static-dissipative surface or static-shielded bag when they are not in the chassis.

Attention Toujours vérifier votre mise à la terre afin d'éliminer toute charge statique avant de toucher la carte CPU. Les équipements électroniques modernes sont très sensibles aux décharges d'électricité statique. Toujours utiliser un bracelet de mise à la terre comme précaution. Placer toutes les composantes électroniques sur une surface conçue pour dissiper les charge, ou dans un sac anti-statique lorsqu'elles ne sont pas dans le chassis.

Chapter 1: Introduction

1.1 Overview

Congratulations on purchasing Winmate® IP65 Stainless B Series Panel PC.

Winmate B Series Display features SUS 316/ AISI 316 stainless steel corrosion resistant housing and big mechanical push buttons on the front. Push-buttons bring control and indication directly to the work area, eliminating wasted movement and increasing productivity. In addition, the physical buttons are especially needed for critical tasks like emergency shutdowns. When an emergency situation occurs, we don't want to waste time navigating through HMI screens but a simple and quick way to shut down the process. In terms of machine integration, push-button devices are easy to install and wire, and straightforward for understanding the function and use. Averagely the wiring time is saved by over 60%, and the installation cost is reduced by more than 30%.

1.2 Features

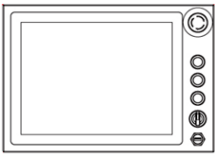
The IP65 Stainless B Series Panel PC features:

- 10.1"/ 15/ 19/ 21.5" LCD with projected capacitive multitouch screen
- Intel® Celeron® N2930 (2M Cache, up to 2.16 GHz)
- Fanless cooling system
- SUS 316/ AISI 316 stainless steel for food and chemical industries
- Full IP65 waterproof enclosure, good corrosion resistance
- A true flat, easy-to-clean front surface with edge-to-edge design
- Supports VESA mount
- Rotary switch adjust different touch mode for Hand/ Rain/ Glove application
- Optional Wi-Fi
- Emergency and flat buttons for automation device control

1.3 Package Content

Carefully remove the box and unpack your device. Please check if all the items listed below are inside your package. If any of these items are missing or damaged contact us immediately.

Default:



Panel PC

Varies by product specifications



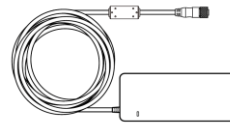
Quick Start Guide (Hardcopy)

Part No.
91521110105S



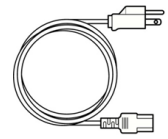
Driver CD

Part No.
91711111103M



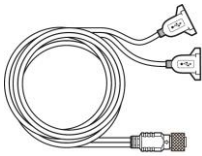
**AC to DC Adapter
100~240V/ 50W
with Waterproof
Connector**

50W Part No.
90PO12050006 (For
10.1"), 84W Part No.
90PO12084000 (15"
up)



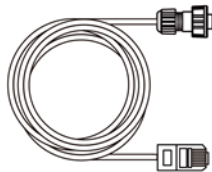
Power Cord

Varies by country



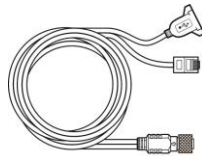
**External USB
Cable with
Waterproof
Connector**

Part No.
9480128080K0



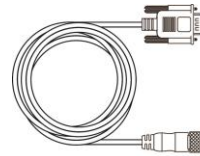
**External LAN
Cable with
Waterproof
Connector**

Part No.
9410080080KF



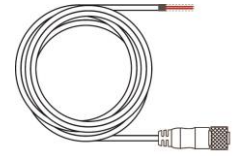
**External USB &
LAN Cable with
Waterproof
Connector**

Part No.
94E0128040K0
(for 10.1")



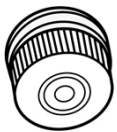
**External COM
Cable with
Waterproof
Connector**

Part No.
94G0123090Q0



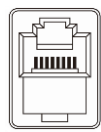
**External Cables
for CN1 & CN2
with Waterproof
Connector**

Part No.
94E012L120K1



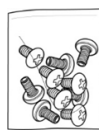
Waterproof Caps

Part No.
60Y031001001



**RJ45 Female to
Female Converter**

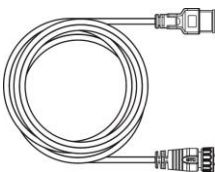
Part No.
60L0A8400000



VESA Screws

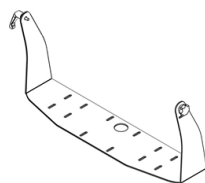
Part No.
913511101101

Optional:



**External HDMI
Cable with
Waterproof
Connector**

Part No.
9490191190K0



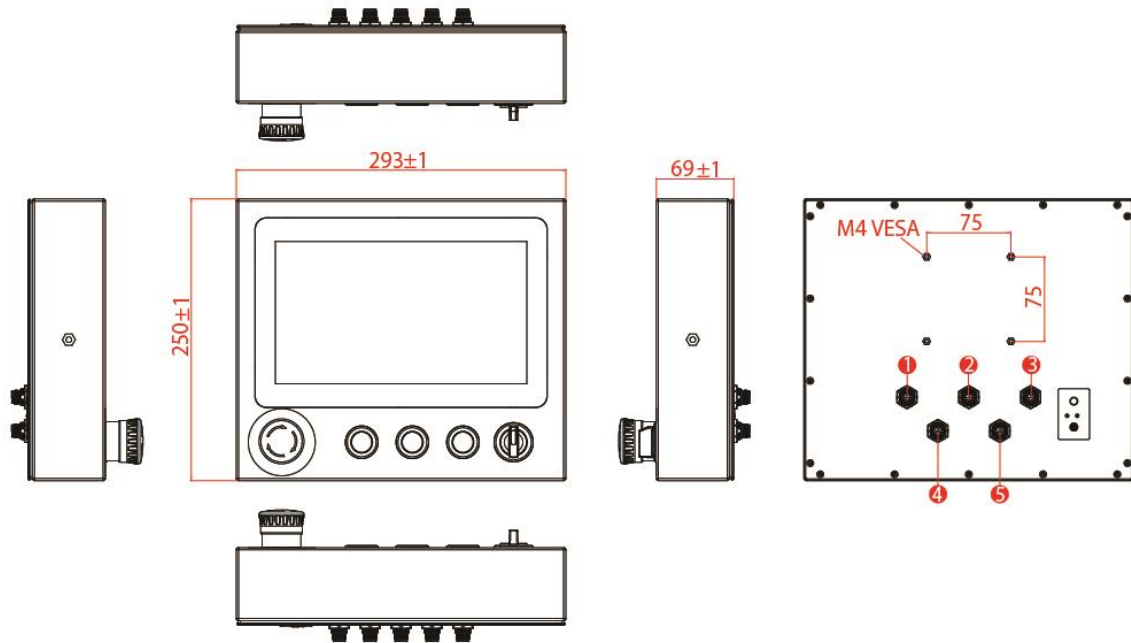
**Yoke Mount
Stand Kit**

1.4 Product Overview

This section contains mechanical drawing of the IP65 Stainless B Series Panel PC with Push Buttons. Notice that this is a simplified drawing and some components are not marked in detail.

10.1", W10IB3S-SPH2-B

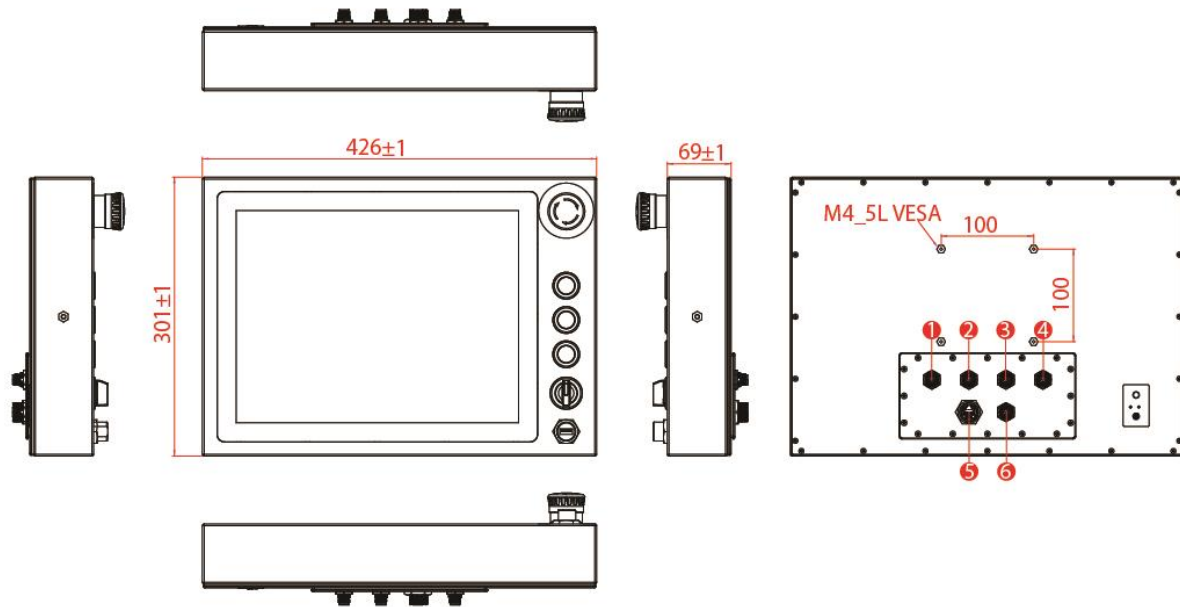
Unit: mm



No	Description	No	Description
①	USB & LAN	④	CN1
②	COM	⑤	CN2
③	Power		

15", R15IB3S-SPC3-B

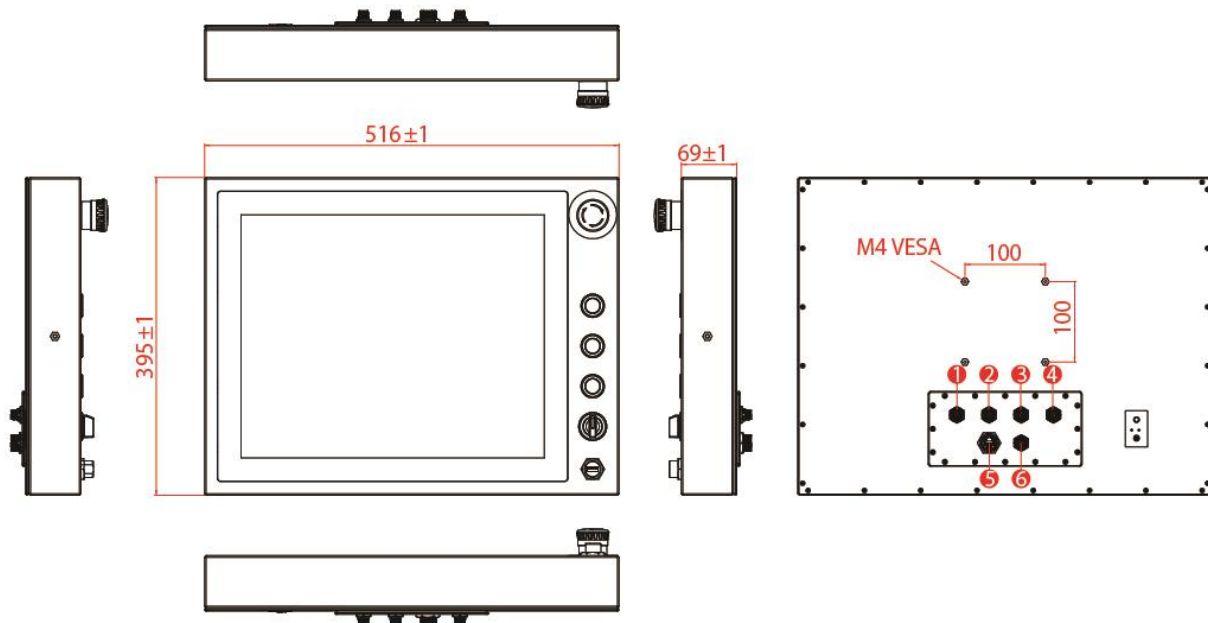
Unit: mm



No	Description	No	Description
①	USB x 2	④	CN2
②	COM	⑤	LAN
③	CN1	⑥	Power

19", R19IB3S-SPM1-B

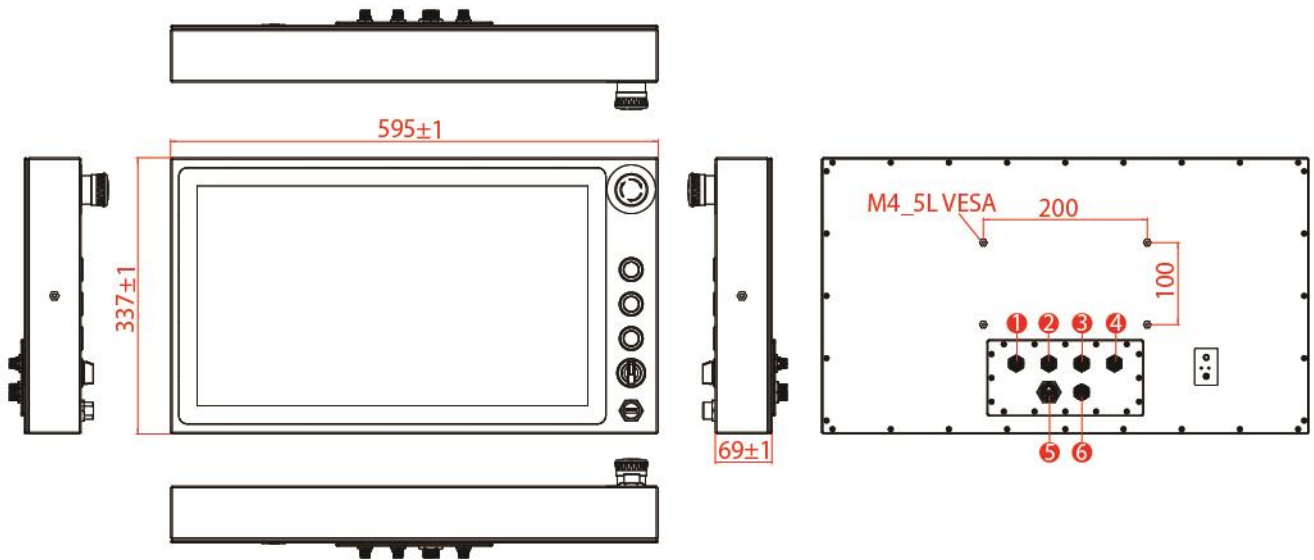
Unit: mm



No	Description	No	Description
①	USB x 2	④	CN2
②	COM	⑤	LAN
③	CN1	⑥	Power

21.5", W22IB3S-SPA3-B

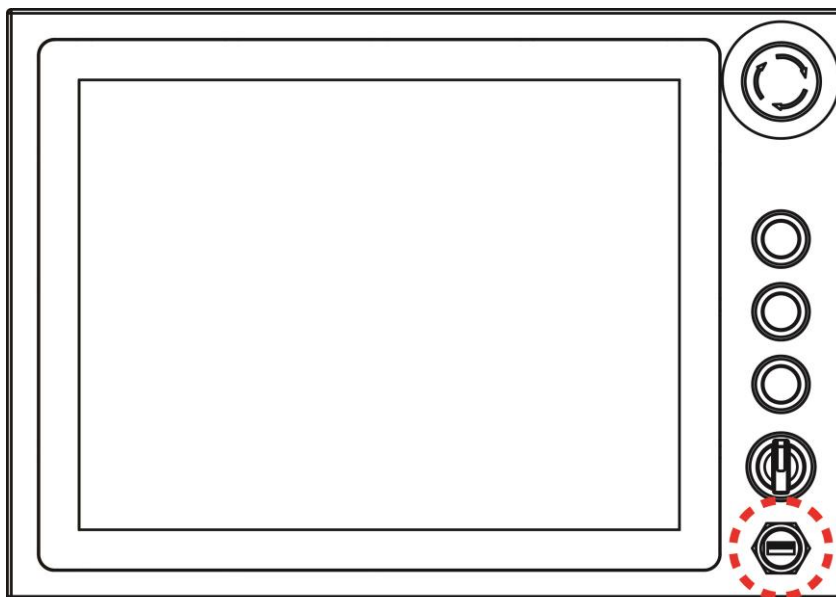
Unit: mm
 Dimensions: 595 x 337 x 69 mm



No	Description	No	Description
①	USB x 2	④	CN2
②	COM	⑤	LAN
③	CN1	⑥	Power

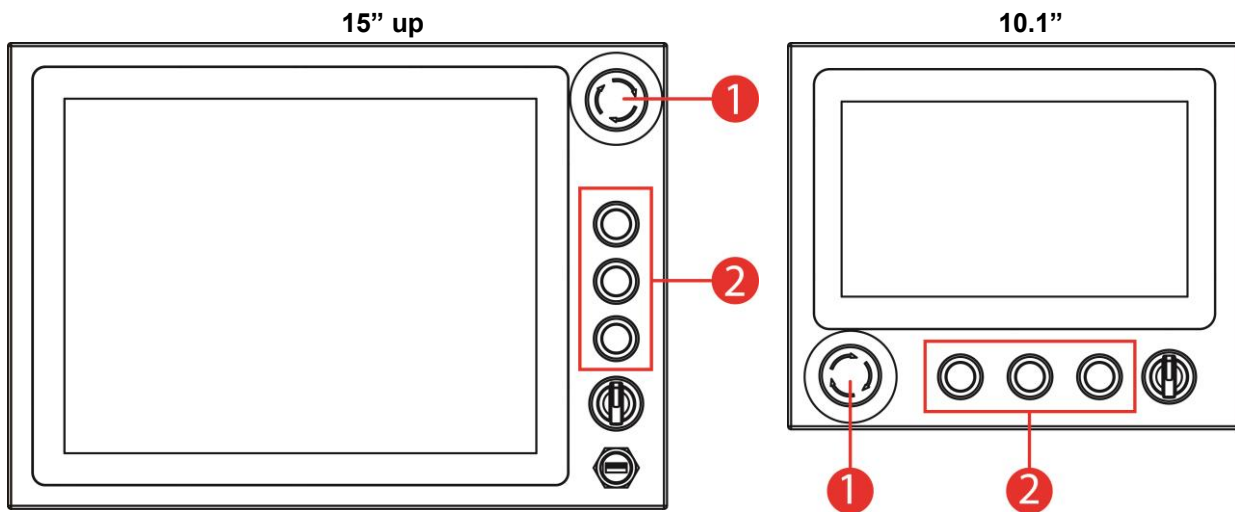
1.5 Front Side USB Type-A Connector

The B Series Panel PC 15" up has one waterproof USB Type-A connector on the front side.



1.6 Front Side Push Buttons

The B Series Panel PC features mechanical push buttons located on the front side of the Panel PC.

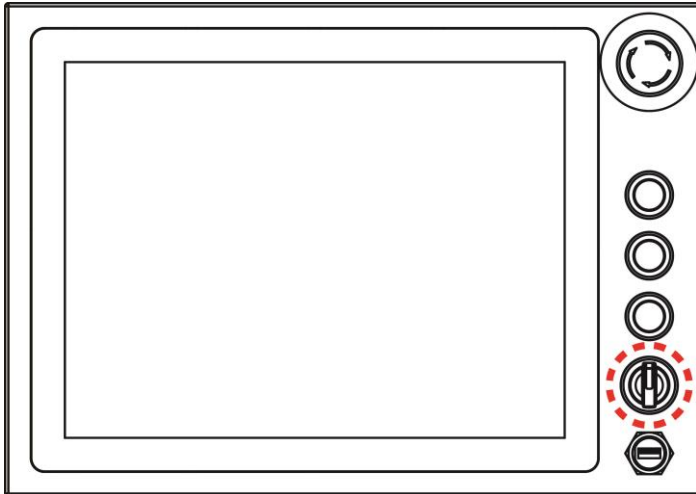


No	Button	Description
1	Emergency Shut Down	Press to shut down the system. Pressing this button stops all operations immediately (motors, valve, etc.). Emergency stop conditions shall be hard wired, withdraw power from everything.
2	Programmable Function Keys	Three programmable function keys, functions to be defined by customer.

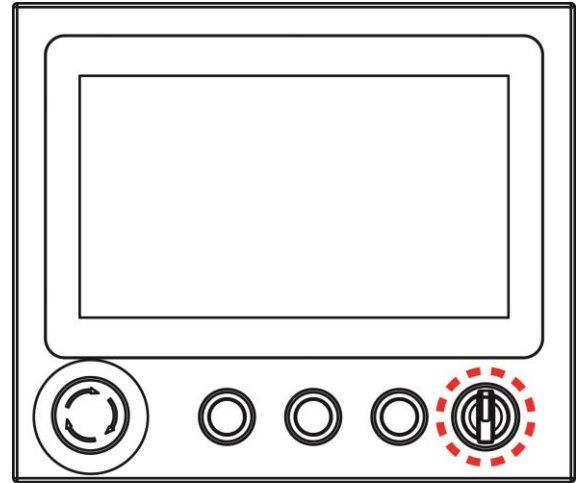
1.7 Rotary Switch for Touch Mode




The IP65 Stainless B Series Panel PC features rotary switch for quick changing a touch mode located on the front side of the Panel PC. Use rotary switch located in front to switch between modes.

15" up



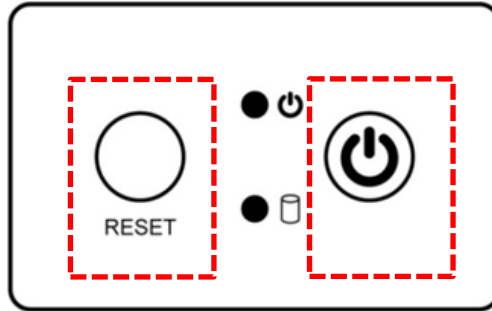
10.1"





Mode	Description
 Hand (Default)	In <i>Hand</i> mode the touchscreen accepts touch inputs from bare fingertips. <i>Supports input by:</i> <ul style="list-style-type: none"> • Rubber tip passive stylus • Bare fingertips
 Rain	In <i>Rain</i> mode the touchscreen rejects false inputs from liquid drops. When the liquid is removed, the touchscreen accepts touch inputs from bare fingertips. <i>Supports input by:</i> <ul style="list-style-type: none"> • Rubber tip passive stylus • Bare fingertips
 Glove	In <i>Glove</i> mode, the touchscreen supports inputs while the user is operating the touchscreen with gloves on. <i>Supports input by:</i> <ul style="list-style-type: none"> • Glove • Rubber tip passive stylus • Bare fingertips

1.8 Rear Side Physical Buttons

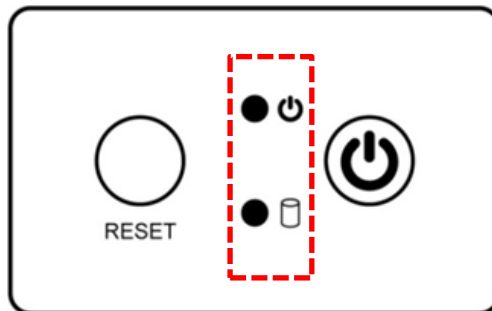
Physical buttons are located on the OSD panel at the rear side of the Panel PC.





Button	Function	Description
	Reset	Press to reset the system
	Power On/ Off	Press to power on or power off the device

1.9 LED Indicators

LED indicators are located on the OSD panel at the rear side of the Panel PC.



LED Indicator	Status	Description
	On	Power is on
	Off	Power is off
	Blinking	Stan by
	Off	Normal

Chapter 2: Installation

Follow this quick installation procedure:

1. Mount your Panel PC according to your application requirements (VESA, Yoke).
2. Connect all the cables to the Panel PC.
3. Use waterproof caps to cover all not used connectors.
4. To ensure enclosure rating protection make sure the cables is firmly fixed and tightened.



Caution Use waterproof cables to ensure the IP65 rating.

Attention. Utilisez des câbles étanches pour garantir l'indice IP65.



Caution When not in use, cover connector with waterproof cap.

Attention Lorsqu'il n'est pas utilisé, couvrez le connecteur avec un capuchon étanche.

2.1 Mounting

The IP65 Stainless B Series Panel PC devices come with different mounting options suitable for most of the industrial and commercial applications.

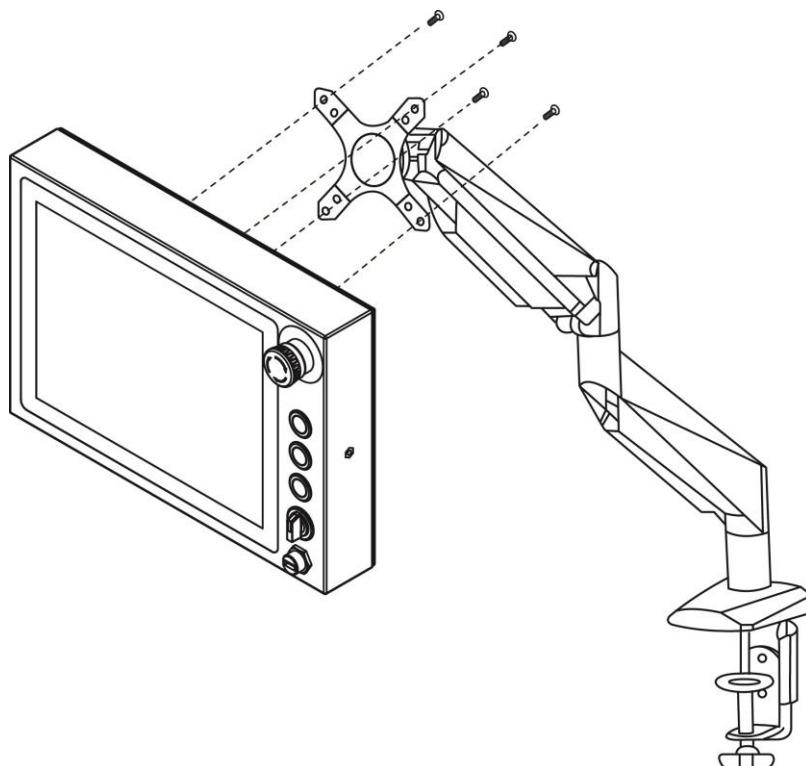
2.1.1 VESA Mount

The Panel PC has VESA mount holes on the rear side. Follow instructions below to mount the unit with VESA Mount bracket (not supplied by Winmate).

Size	VESA Plate Dimensions	Screw Hole Diameter
10.1"	75 x 75 mm	VESA M4x5 mm
15", 19"	100 x 100 mm	VESA M4x5 mm
21.5"	200 x 100 mm	VESA M4x5 mm

Installation Instruction

1. Screw VESA bracket to the fixture (ex. swing arm) with four VESA screws.
2. Place the device on VESA bracket.

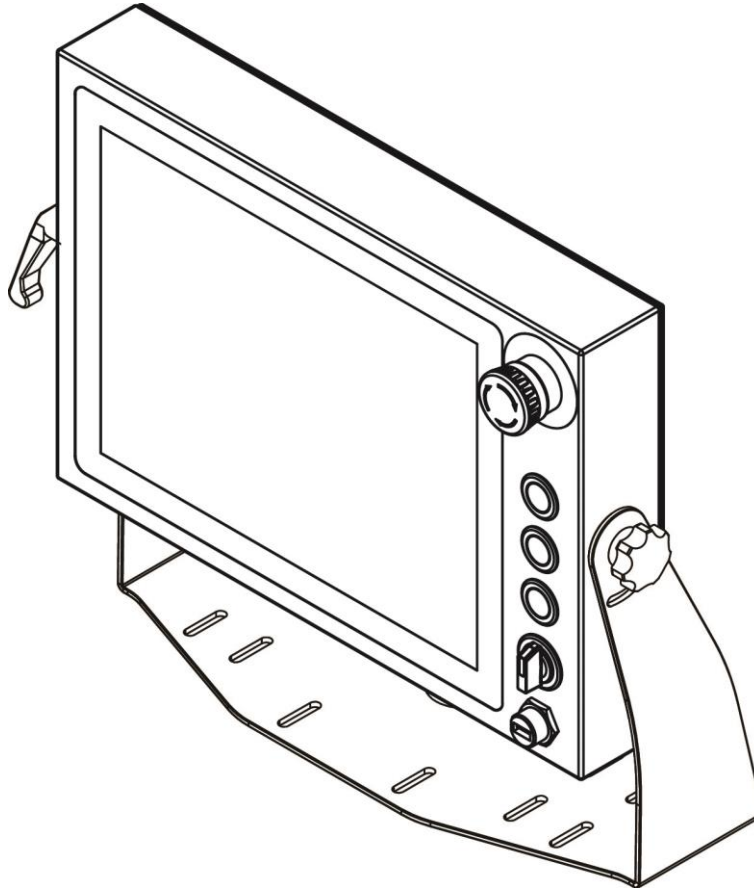


2.1.2 Yoke Mount

Yoke Mount solution allows installing the Panel PC on the yoke stand (not supplied by Winmate).

Installation Instruction

1. Place the Panel PC on the bracket stand, aiming screw holes for each other.
2. Secure screws to fix the device upon the bracket stand.
3. Firmly secure the locking handle to the Panel PC.



2.2 Connecting Peripherals

This B Series Panel PC has waterproof connectors with protection cap with power connector, VGA connector, HDMI connector (Optional) and USB connector for touch. The pin assignment of the connectors is described in this section.



Important: To maintain the IP65 rating of the full unit it is recommended to use only IP65 waterproof cables. You must remember to firmly close all protective caps when connector is not used.

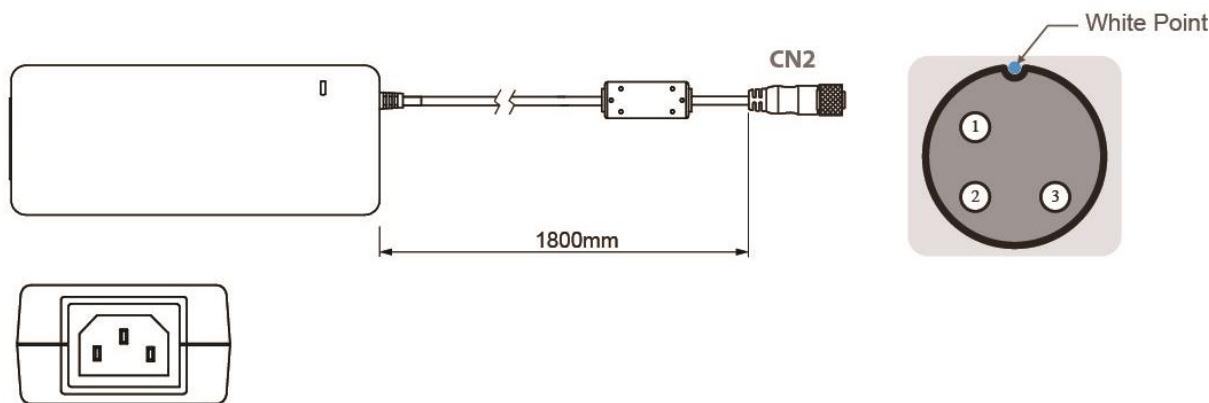


Note: Notice that input and output connectors vary by product size and specifications.

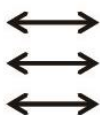
2.2.1 Power Connector

By default the B Series Panel PC has one M12 waterproof power connector that accepts 12V DC power input based on your order.

Power Cable



Pin No.	Symbols	Color
CN1-1	VIN -	NO ASSIGN
CN1-2	VIN -	NO ASSIGN
CN1-3	VIN -	NO ASSIGN

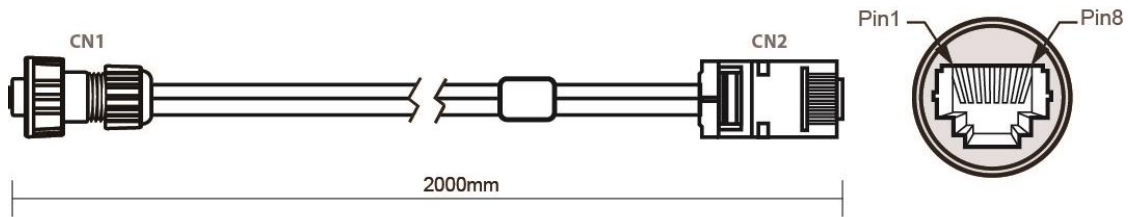


Pin No.	Symbols	Color
CN2-1	VCC+	Flow Adapter
CN2-2	GND	Flow Adapter
CN2-3	VCC -	Flow Adapter

2.2.2 LAN Connector

The B Series Panel PC has one M12 connector for GigaLAN. Use waterproof LAN cable to connect the Panel PC to the Internet.

LAN Cable

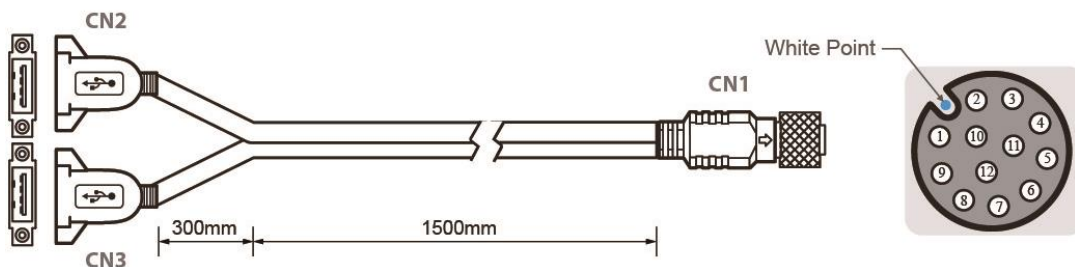


Plug	Wire Color	Conn.	
1	Orange / White	1	Twist
2	Orange	2	
3	Green / White	3	Twist
4	Blue	4	
5	Blue / White	5	Twist
6	Green	6	
7	Brown / White	7	Twist
8	Brown	8	

2.2.3 USB Connector

The B Series Panel PC has one M12 waterproof connector for touch screen control. Use waterproof USB cable to connect Panel PC to external peripherals such as mouse or keyboard.

USB Cable



Pin No.	Symbols	Color		Pin No.	Symbols	Color	
CN1-2	VCC	RED	↔	CN2-1	VCC	RED	twisted pair
CN1-3	D-	WHITE	↔	CN2-2	D-	WHITE	
CN1-4	D+	GREEN	↔	CN2-3	D+	GREEN	
CN1-5	GND	BLACK	↔	CN2-4	GND	BLACK	twisted pair
CN1-6	VCC	RED	↔	CN3-1	VCC	RED	
CN1-7	D-	WHITE	↔	CN3-2	D-	WHITE	
CN1-8	D+	GREEN	↔	CN3-3	D+	GREEN	
CN1-9	GND	BLACK	↔	CN3-4	GND	BLACK	
CN1-1	GND	Braid	↔	Braid connect to the housing			

2.2.4 USB Type-A Connector

The B Series Panel PC 15"/ 19"/ 21.5" has one waterproof USB Type-A connector located on the front side.

Pin assignment and signal name of USB 2.0 connector for optional touch.

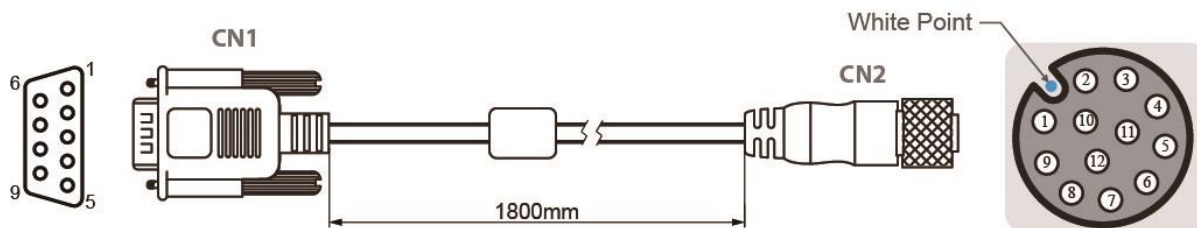


Pin №	Signal Name	Pin №	Signal Name
1	+5V	2	Data-
3	Data+	4	GND

2.2.5 RS-232 Connector

The B Series Panel PC has one M12 connector for RS-232. Use waterproof USB cable to connect Panel PC to external peripherals such as printer or keyboard.

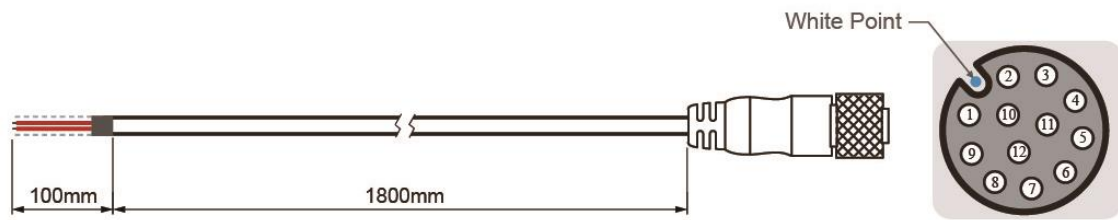
RS-232 Cable



Pin No.	Symbols	Color		Pin No.	Symbols	Color
CN1-1	DCD-CON2	Green	↔	CN2-1	DCD-CON2	Green
CN1-6	DSR-CON2	Brown	↔	CN2-2	DSR-CON2	Brown
CN1-2	RXD-CON2	Red	↔	CN2-3	RXD-CON2	Red
CN1-7	RTS-CON2	Orange	↔	CN2-4	RTS-CON2	Orange
CN1-3	TXD-CON2	Blue	↔	CN2-5	TXD-CON2	Blue
CN1-8	CTS-CON2	White	↔	CN2-6	CTS-CON2	White
CN1-4	DTR-CON2	Purple	↔	CN2-7	DTR-CON2	Purple
CN1-9	RI-CON2	Yellow	↔	CN2-8	RI-CON2	Yellow
CN1-5	GND-CON2	Black	↔	CN2-9	GND-CON2	Black

2.2.6 Connector 1 for Push Button Extension

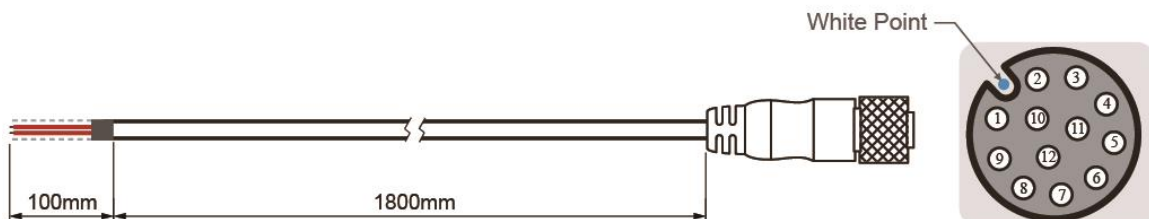
Push Button Extension Cable for Connector 1



Pin No.	Symbols	Color
CN1-1	Emergency NC 2	Emergency Stop
CN1-2	Emergency NC 1	
CN1-3	Emergency NC 2	
CN1-4	Emergency NC 1	
CN1-5	Blue NO 4	Blue Button
CN1-6	Blue NO 3	
CN1-7	Blue NC 2	
CN1-8	Blue NC 1	
CN1-9	N/A	
CN1-10	N/A	
CN1-11	N/A	
CN1-12	N/A	

2.2.7 Connector 2 for Push Button Extension

Push Button Extension Cable for Connector 2



Pin No.	Symbols	Color
CN2-1	Red NO 4	Green Button
CN2-2	Red NO 3	
CN2-3	Red NC 2	
CN2-4	Red NC 1	
CN2-5	Green NO 4	Red Button
CN2-6	Green NO 3	
CN2-7	Green NC 2	
CN2-8	Green NC 1	
CN2-9	N/A	
CN2-10	N/A	
CN2-11	N/A	
CN2-12	N/A	

2.3 Cleaning the Monitor



Note: The IP65 Stainless Panel PC withstands regular intense cleaning with water.

Before cleaning:

- Make sure the device is turned off.
- Disconnect the power cable from any AC outlet.

When cleaning:

- Wipe the screen with a clean, soft, lint-free cloth. This removes dust and other particles.
- The display area is highly prone to scratching. Do not use ketene type material (ex. Acetone), Ethyl alcohol, toluene, ethyl acid or Methyl chloride to clear the panel. It may permanently damage the panel and void the warranty.
- If it is still not clean enough, apply a small amount of non-ammonia, non-alcohol based glass cleaner onto a clean, soft, lint-free cloth, and wipe the screen.
- Don not use oil directly on the display screen. If droplets are allowed to drop on the screen, permanent staining or discoloration may occur.

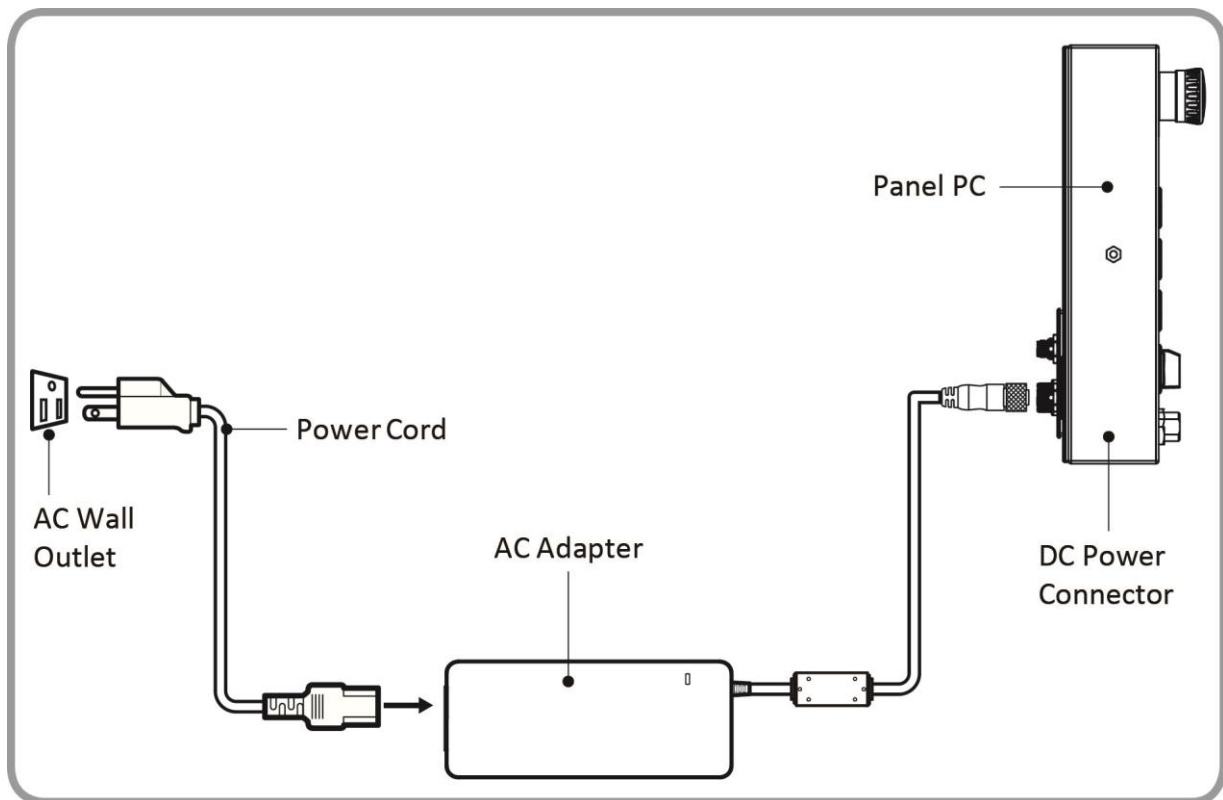
Chapter 3: Getting Started

3.1 Connecting to Power Source

By default B Series Display has one M12 waterproof power connector that accepts 12V DC power input. Check your order specifications before connecting to power source.

Follow the following steps to connect your device to AC power source:

1. Install conduit pipe and I/O cover following the procedure described in the previous sections.
2. Connect open wires to AC adapter.
3. Connect the power cord to AC adapter.
4. Plug the power cord to the AC outlet.



AC Adapter specifications and Panel PC power consumption vary by LCD panel size.

Size	10.1"	15"	19"	21.5"
AC Adapter	12V/ 50W	12V/ 84W	12V/ 84W	12V/ 84W
Power Consumption	26W (typ.)	30W (typ.)	36W (typ.)	50W (typ.)

3.2 Turning On/ Off the Device

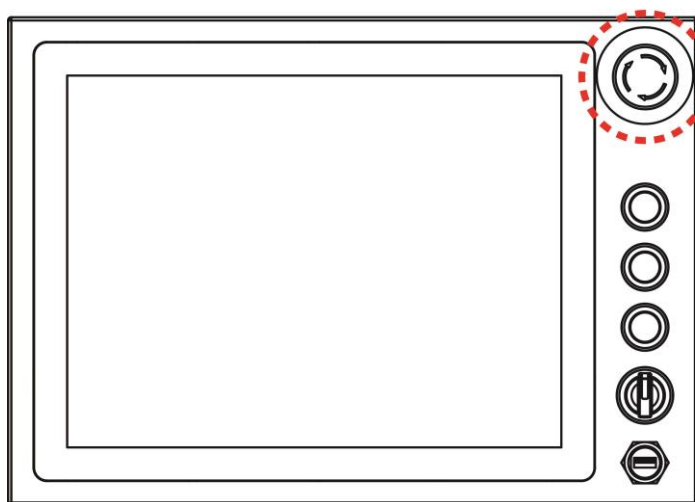
After connecting your devices to the source of power press **Power Button** located on the front side of the Panel PC.

To shut down your device press **Power Button** located on the front side of the Panel PC and disconnect power. The machine operations stop in sequence, or stop in zero position to be ready to start again immediately on pressing start button.

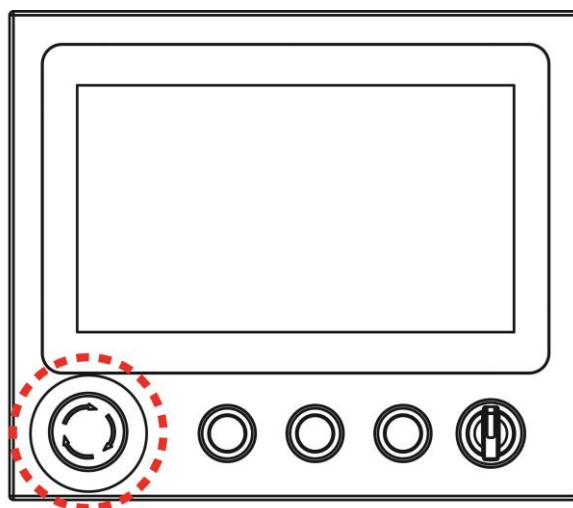
3.3 Emergency Stop

For emergency stop, press **Emergency Shutdown Button** located on the front side of the Panel PC. Pressing this button stops all operations immediately (motors, valve, etc.). Emergency stop conditions shall be hard wired, withdraw power from everything.

15" up



10.1"



Chapter 4: Troubleshooting

4.1 Basic Troubleshooting

Problem	Solution
There is a black dot or dead pixel dot on the screen	A missing pixel does not constitute an out of spec. defective product
Cannot turn power on	Turn off the power supply, and check that the AC cord or DC cord are securely inserted. After checking, turn on the power supply again.
It takes time for image to appear	Since the monitor processes various signals digitally to reproduce beautiful images, it may take time before images appear when it is turned on, input is switched, or when the mode is switched to "Multi Window".
There are spots on the screen	There may be electrical distortion from vehicles, trains, high voltage lines or fluorescent lamps.
Bad color	Color density or tint control may not be adjusted properly (Check the adjusted value of image.)
Image appears and disappears	Input may not be connected properly.
When changing the screen size, the top and bottom part of the screen does not show images	When using a video software program (such as a cinema size program) with a screen wider than one in the 16:9 mode, blank areas separate from the images are formed at the top and bottom of the screen.
Image contour flickers	Due to the characteristics of the display control, contour of animated parts of images may seem to flicker, but that is not a breakdown.
Color is extremely bad	Input configuration "RGB"/"YPBPR" may not be selected properly.
The Power indicator is flashing orange	After checking the number of flashes, turn off the power and contact the dealer where the monitor was purchased.

Appendix

Appendix A: Hardware Specifications

	Model Name			
	W10IB3S-SPH2-B	R15IB3S-SPC3-B	R19IB3S-SPM1-B	W22IB3S-SPA3-B
Display				
Size	10.1"	15"	19"	21.5"
Resolution	1024 x 600	1024 x 768	1280 x 1024	1920 x 1080
Brightness	800:1	2000:1	1000:1	3000:1
Contrast Ratio	450 nits	300 nits	250 nits	250 nits
Viewing Angle	75,80,80,80	88,88,88,88	85,85,80,80	89,89,89,89
Touch	Projected capacitive multitouch screen	Projected capacitive multitouch screen	Projected capacitive multitouch screen	Projected capacitive multitouch screen
System Specifications				
CPU	Intel® Celeron® N2930 (2M Cache, up to 2.16 GHz)	Intel® Celeron® N2930 (2M Cache, up to 2.16 GHz)	Intel® Celeron® N2930 (2M Cache, up to 2.16 GHz)	Intel® Celeron® N2930 (2M Cache, up to 2.16 GHz)
System Chipset	Intel® SoC integrated	Intel® SoC integrated	Intel® SoC integrated	Intel® SoC integrated
System Memory	1 x SODIMM, Max 8GB DDR3 1600 MHz, default 4GB	1 x SODIMM, Max 8GB DDR3 1600 MHz, default 4GB	1 x SODIMM, Max 8GB DDR3 1600 MHz, default 4GB	1 x SODIMM, Max 8GB DDR3 1600 MHz, default 4GB
Storage	Default 1 x mSATA SSD 64GB	Default 1 x mSATA SSD 64GB	Default 1 x mSATA SSD 64GB	Default 1 x mSATA SSD 64GB
BIOS	AMI BIOS	AMI BIOS	AMI BIOS	AMI BIOS
Audio Codec	Realtek HD codec	Realtek HD codec	Realtek HD codec	Realtek HD codec
Expansion	1 x mPCIe slot (for half size Wi-Fi module)	1 x mPCIe slot (for half size Wi-Fi module)	1 x mPCIe slot (for half size Wi-Fi module)	1 x mPCIe slot (for half size Wi-Fi module)
Network	Intel® Ethernet Controller I210-AT	Intel® Ethernet Controller I210-AT	Intel® Ethernet Controller I210-AT	Intel® Ethernet Controller I210-AT
Operating System	Windows 10 IoT Enterprise (Optional)	Windows 10 IoT Enterprise (Optional)	Windows 10 IoT Enterprise (Optional)	Windows 10 IoT Enterprise (Optional)
Interface				
Ethernet LAN	1 x M12 waterproof connector for 1 x USB2.0 & GigaLAN	1 x waterproof Giga LAN RJ45 connector	1 x waterproof Giga LAN RJ45 connector	1 x waterproof Giga LAN RJ45 connector
COM	1 x M12 waterproof connector for RS-232	1 x M12 waterproof connector for RS-232	1 x M12 waterproof connector for RS-232	1 x M12 waterproof connector for RS-232
USB	1 x M12 waterproof connector for 1 x USB2.0 & GigaLAN	1 x M12 waterproof connector for 2 x USB2.0, 1 x Front waterproof connector for USB2.0 type-A	1 x M12 waterproof connector for 2 x USB2.0, 1 x Front waterproof connector for USB2.0 type-A	1 x M12 waterproof connector for 2 x USB2.0, 1 x Front waterproof connector for USB2.0 type-A
Power Input	1 x M12 waterproof connector for 12V DC	1 x M12 waterproof connector for 12V DC	1 x M12 waterproof connector for 12V DC	1 x M12 waterproof connector for 12V DC
Expansion Port	CN1 and CN2 for front button control	CN1 and CN2 for front button control	CN1 and CN2 for front button control	CN1 and CN2 for front button control

	Model Name			
	W10IB3S-SPH2-B	R15IB3S-SPC3-B	R19IB3S-SPM1-B	W22IB3S-SPA3-B
Keyboard and Input				
Physical Buttons	Rear side: 1 x Power Button 1 x Adjust up button 1 x Adjust down button 1 x ESC (Auto) button 1 x OK (Menu) button	Rear side: 1 x Power Button 1 x Adjust up button 1 x Adjust down button 1 x ESC (Auto) button 1 x OK (Menu) button	Rear side: 1 x Power Button 1 x Adjust up button 1 x Adjust down button 1 x ESC (Auto) button 1 x OK (Menu) button	Rear side: 1 x Power Button 1 x Adjust up button 1 x Adjust down button 1 x ESC (Auto) button 1 x OK (Menu) button
	Front side: 1 x Emergency Button & 3 x Flat Button for CN1 & CN2 M12 connector	Front side: 1 x Emergency Button & 3 x Flat Button for CN1 & CN2 M12 connector	Front side: 1 x Emergency Button & 3 x Flat Button for CN1 & CN2 M12 connector	Front side: 1 x Emergency Button & 3 x Flat Button for CN1 & CN2 M12 connector
LED Indicators	1 x LED Indicator for power 1 x LED Indicator for status	1 x LED Indicator for power 1 x LED Indicator for status	1 x LED Indicator for power 1 x LED Indicator for status	1 x LED Indicator for power 1 x LED Indicator for status
Power Management				
Power Input	Default 12V DC input 9~36V DC input for optional	Default 12V DC input 9~36V DC input for optional	Default 12V DC input 9~36V DC input for optional	Default 12V DC input 9~36V DC input for optional
Power Consumption	26 W (typ.)	30 W (typ.)	36 W (typ.)	50 W (typ.)
AC Adapter	100~240V AC to DC Adapter with waterproof connector	100~240V AC to DC Adapter with waterproof connector	100~240V AC to DC Adapter with waterproof connector	100~240V AC to DC Adapter with waterproof connector
Mechanical Specification				
Dimensions	293 x 250 x 69 mm	426 x 301 x 69 mm	516 x 395 x 69 mm	595 x 337 x 69 mm
Housing	Stainless steel SUS 316/ AISI 316	Stainless steel SUS 316/ AISI 316	Stainless steel SUS 316/ AISI 316	Stainless steel SUS 316/ AISI 316
Mounting	VESA mount (100x100mm)/ Yoke Mount(Optional)	VESA mount (100x100mm)/ Yoke Mount(Optional)	VESA mount (100x100mm)/ Yoke Mount(Optional)	VESA mount (100x100mm)/ Yoke Mount(Optional)
Environmental Consideration				
Operating Temperature	0 °C to 45 °C	0 °C to 45 °C	0 °C to 45 °C	0 °C to 45 °C
Storage Temperature	-20 °C to 60 °C	-20 °C to 60 °C	-20 °C to 60 °C	-20 °C to 60 °C
Operating Humidity	10% to 90% (non-condensing)	10% to 90% (non-condensing)	10% to 90% (non-condensing)	10% to 90% (non-condensing)
IP Rating	Full IP65	Full IP65	Full IP65	Full IP65
Standards and Certification				
EMC	CE, FCC	CE, FCC	CE, FCC	CE, FCC

NOTE:

- Accessories and Integrated Options may vary depending on your configuration. The product shown in this document is a standard model. For diagrams that contain customized or optional I/O, please contact the Winmate Sales Team for more information.
- All specifications are subject to change without prior notice.

Winmate Inc.
9F, No.111-6, Shing-De Rd., San-Chung District,
New Taipei City 24158, Taiwan, R.O.C
www.winmate.com

Copyright © 2022 Winmate Inc. All rights reserved.

