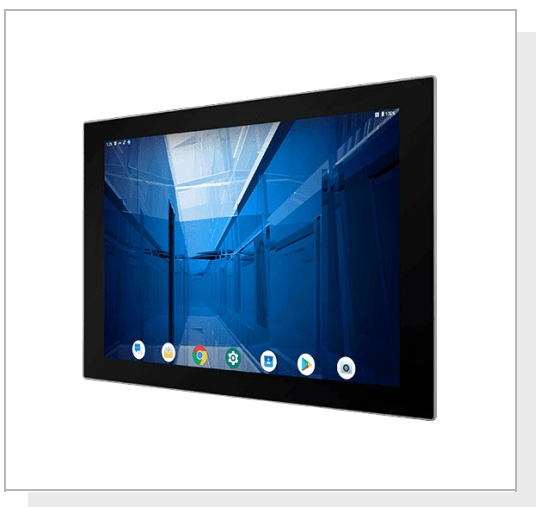


R15IM3S-PCC3-POE

15" ARM A53 S Series HMI Panel PC



KEY FEATURES

- 15" 1024 x 768 TFT LCD with Projected Capacitive Multi-Touch (PCAP)
- Fanless cooling system and ultralow power consumption
- Support PoE function
- Optional 2MP Front Camera
- Optional HF RFID Reader
- Stylish design for room booking, access control, and room information applications
- Front IP65 Water and Dust Proof
- Support Android or Linux operating system



SPECIFICATIONS

| Display | | | |
|----------------------|---|-----------------------|-----------------------------------|
| Resolution | 1024x768 | Size | 15 inches |
| Contrast Ratio | 2000:1 | Panel Brightness | 300 nits |
| View Angles | 88,88,88,88 | Active Area | 304.1x228.1 mm |
| Touch / Glass | Projected Capacitive Multi Touch Screen | | |
| System Specification | | | |
| WLAN | Support (Optional) | BT | Support (Optional) |
| RFID | HF RFID Reader 13.56 MHz (Optional) | Processor | ARM A53 Quad Core 2.0GHz |
| Memory | 4GB LPDDR4 | Storage | 32GB eMMC |
| Operating System | Android 11 (Upgradeable to Android 13) Linux Yocto 5.10.104 with QT 5.15 (Optional) Linux Ubuntu (in 2023) (Optional) | | |
| Mechanical | | | |
| Dimension | 363.40 x 277.86 x 44.50 mm | Mounting | Panel Mount VESA Mount |
| Enclosure | Aluminum | Cooling System | Fanless design |
| Cut out | 346.5x261mm | | |
| Environment | | | |
| Operating Humidity | 10% to 90% (noncondensing) | Operating Temperature | 0~50°C |
| Storage Temperature | -20~60°C | Shock | MIL-STD-810G Method 516.6 |
| Vibration | MIL-STD-810G Method 514.6 | IP rating | Front IP65 |
| Certification | | | |
| Certification | CE, FCC | | |
| IO Ports | | | |
| USB Port | 2 x USB 2.0 Type A 1 x Micro USB 2.0 OTG | Serial Port | 1 x RS232/422/485 (Default RS232) |
| SD Card Slot | 1 x Micro SD card slot (Max to 32GB) | Video | 1 x Micro HDMI Output (Optional) |
| Audio | 2 x Speaker | LAN | 1 x LAN 10/100/1000 Mbps |

Accessory

| | |
|------------------|--|
| Accessory | 100~240V AC to DC Adapter Power Cord Terminal Block to 2.5Ø Female Adapter Cable Open Wire Cable with terminal block connector Manual VESA screws |
|------------------|--|

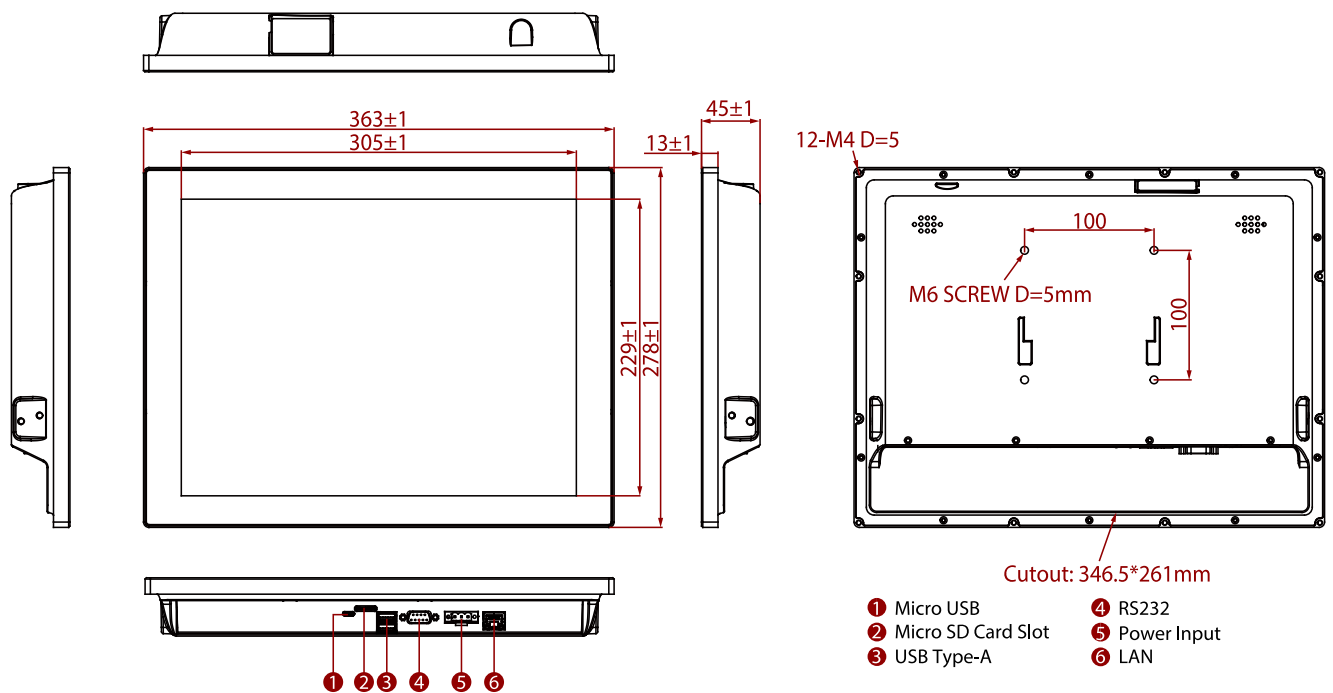
Power

| | | | |
|---------------------|---------------------------------------|----------------|---------|
| Power Rating | 12V DC with Terminal Block | Adapter | 12V 50W |
| | 9~36V (Optional) | | |
| POE | PoE (PD): follows IEEE 802.3at (25 W) | | |

Camera

| | |
|---------------------|-----------------------|
| Front Camera | 2MP Camera (Optional) |
|---------------------|-----------------------|

DIMENSIONS UNIT:MM



NOTE

1. This is a simplified drawing and some components are not marked in detail.
2. The product shown in this datasheet is a standard model. For diagrams that contain customized or optional I/O, please contact the Winmate Sales Team for more information.
3. All specifications are subject to change without prior notice.