



IDP080P-MS

User Manual / Installation Guide

► WARNING

Warning ! It will cause malfunction if the monitor is operating with unspecified power supply adaptor or incorrect power voltage. Do not expose this unit in the rain or moisture environment to reduce the risk of fire or electric shock.

► PRECAUTIONS

- Do not use the monitor near water.
- Do not place the monitor on an unstable cart, stand, or table. If the monitor falls, it can injure a person and cause serious damage to the appliance. Use only a cart or stand recommended by the manufacturer or sold with the monitor. If you mount the monitor on a wall or shelf, use a mounting kit approved by the manufacturer and follow the kit instructions.
- The monitor should be operated with type of power adaptor indicated on the label. Normally it is packed with monitor, or using an adaptor approved by the manufacturer.
- Unplug the unit during a lightning storm or when it will not be used for long periods of time. This will protect the monitor from being damaged due to power surges.
- Never spill liquids on the monitor.
- Do not attempt to service the monitor yourself; opening or removing covers can damage to the monitor or panel. Please refer all servicing to qualified service personnel.
- For Wall mount adaptor, wall socket shall be installed near the equipment and shall be easily accessible.

Table of Contents

Chapter 1 - Introduction	4
Features.....	4
Unpack the monitor.....	4
Check accessory.....	4
Chapter 2 - Installation.....	5
Power Supply & Signal connection	5
Function Key Control	5
OSD Lock/ Unlock.....	5
Structure of OSD settings.....	5
Chapter 3 - For your safety	6
Chapter 4 - Support timing chart.....	7
Chapter 5 - Projected Capacitive Touch panel	8
Touch Driver installation:	8
Chapter 6 - Mechanical dimension.....	9
Chapter 7 - FCC Warning Statement	10
FCC Class A Warning.....	10
Chapter 8 - Product General Specification	11

Chapter 1 - Introduction

- This monitor is color TFT LCD monitor, with compact and ecological design
- On Screen Display provide flexibility with simple & user-friendly controls.
- Build-in Projected Capacitive Touch Panel

► Features

- 8 inch diagonal screen with native display resolution 800 x 600
- Full flat front panel with high quality projected capacitive touch panel.
- Fully Glossy surface throughout monitor's appearance.
- Rimless front bezel design, spill & dust proof.
- Cable management down routing through the mounting stand.
- Light weight.1,300 g physically.

► Unpack the monitor

- Put the monitor on a clean surface; make sure the box in upright position
- Remove packing materials from inside of box.

► Check accessory

Please make sure the entire accessory is included:

1.8 meter VGA cable



1.8 meter Touch USB cable

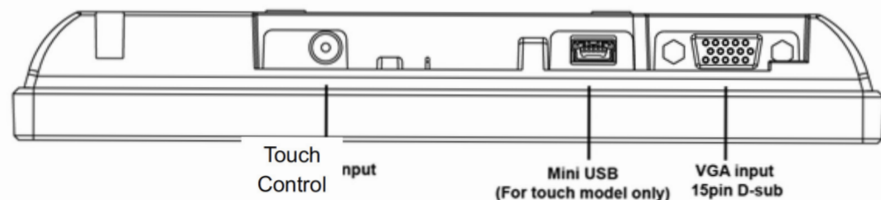


AC-DC power adaptor : 100Vac~240Vac
Adaptor : 2.1Ø, 12Vdc 18W
(USA/UK/EU Option)

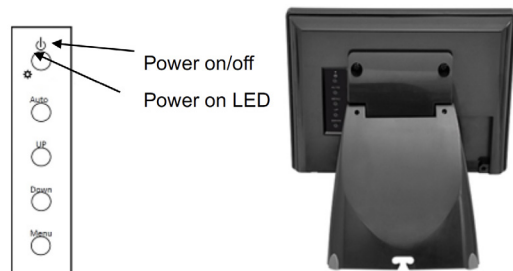
Chapter 2 - Installation


► Power Supply & Signal connection

Power supply: Use attached Wall-mount Power adaptor to get 12Vdc power.
 VGA signal: Use attached 1.8 meter 15pin D-sub VGA cable to connect System PC.
 HDMI signal: Apply HDMI signal or use DVI-D to HDMI signal cable for DVI input.
 Touch Control: Use attached USB cable to connect system PC.



► Function Key Control



Power ()	Use the power switch to turn the power ON or OFF. We recommend turning your system power on first, then the LCD monitor.
Auto Adjust (AUTO)	Pressing to execute AUTO-Adjusting function. This function will optimize the display image Sometimes this function can't achieve the optimal effects. Please follow the manual adjusting procedure. After OSD menu is activated, press this key can turn off the OSD menu.
Menu (MENU)	Press Menu key to activate OSD Menu This key also means "OK"; Press "Up, Down" key to move the indicator to the desired item, then press Menu key to select and read to adjust. After adjustment, press this key to return to previous Menu.
Up (▲)	When OSD mode is activated (When "MENU" key is pressed). These two keys are used to select the adjustment items.
Down (▼)	When adjustment item is selected, these two keys are defined to decrease or increase the value of each selected item.

► OSD Lock/ Unlock

Press "Menu" Key for more than 7 seconds shall lock all control keys' function.
 After keys locked, press "Menu" key again for more than 7 second shall unlock the key function.

► Structure of OSD settings

Item	Level 1	Level 2	Level 3	Operating Procedure	
Main Menu	Auto Adjust	-	-	Press "UP" or "DOWN" to adjust H-phase & H-position & V-position clock automatically.	
	Luminance	Brightness	-	Press "UP" key to increase brightness, "DOWN" key to decrease brightness.	
		Contrast	-	Press "UP" key to increase contrast, "DOWN" key to decrease contrast.	
		Black levels	-	Press "UP" key to increase background brightness, "DOWN" key to decrease background brightness.	
		Sharpness	-	Press "UP" key to increase image sharpness, "DOWN" key to decrease image sharpness.	
		Exit	-	Exit to previous Menu.	
	Management	H. Position	-	Press "UP" key to shift screen left, "DOWN" key to shift screen right.	
		V. Position	-	Press "UP" key to shift picture upward, "DOWN" key to shift picture downward.	
		Pixel Clock	-	To reduce any vertical bars or strips visible on the screen background. Adjusting the Clock will also change the horizontal screen image width.	
		Phase	-	To remove any horizontal noise and clear or sharpen the image of characters.	
		Exit	-	Exit to previous Menu.	
	Color	9300K 6500K	-	Press "UP" or "DOWN" to choose three types of color temperature 9300°k, 6500°k, sRGB and user define.	
			Red	Select User Preset to enter Color Adjust Menu, and select desired color to adjust.	
			Green		
		Blue			
		User Preset	-	Exit	Exit to Main Menu.
	OSD	H. Position	-	Adjust OSD Menu horizontal position, press "UP" key to shift Menu right, "DOWN" key to shift Menu left.	
		V. Position	-	Adjust OSD Menu vertical position, press "UP" key to shift Menu upward, "DOWN" key to shift Menu downward.	
		OSD Time	-	Sets the time duration in seconds that the OSD is visible after the last button is pressed.	
		Exit	-	Exit to previous Menu.	
Main Menu	Language	English	-	Press Up/Down key to move OSD bar to desired language, then press to confirm. The OSD Menu will change to desired language and return to Main Menu.	
		Francais	-		
		Deutsch	-		
		Italino	-		
		Espanol	-		
		日本語	-		
		繁體中文	-		
	简体中文	-			
	Recall	Recall Color	Yes	No	Press "Yes" to reset Color to factory setting.
		Recall All	Yes	No	Press "Yes" to rest all settings back to factory setting, except language.
Information	Exit	-	-	Press "Exit" to return to Main Menu.	
	Display Information	-	-	Press Display information to display resolution and refresh rate.	
Exit	-	-	-	Press "Exit" key will close OSD Menu and save the settings.	

Chapter 3 - For your safety

1. When move the monitor, always switch off power and disconnect all cables to avoid any danger.
2. Please use the power and signal cables correctly when install it.
3. In case of notice any abnormal smell or noise, please stop operation and call the nearest dealer or service center.

Chapter 4 - Support timing chart

Timing Mode	Reference Standard	Resolution	Pixel MHz	FH KHz	FV Hz	Interlace	H Polarity	V Polarity
Mode 1 Default	VESA	800×600	36.000	35.156	56.250	NO	+	+
Mode 2	VESA	800×600	40.000	37.879	60.317	NO	+	+
Mode 3	VESA	800×600	50.000	48.077	72.188	NO	+	+
Mode 4	VGA	640 x 480	25.17	31.47	59.94	NO	-	-
Mode 5	VGA	720 x 400	28.32	31.47	70.08	NO	-	+
Mode 6	XVGA	1024 x 768	65.00	48.363	60.004	NO	-	-

Chapter 5 - Projected Capacitive Touch panel

Type	10-Point Project Capacitor Touch Panel
Input Mode	Finger or Capacitive Touch screen stylus
Transparency	>90%
Touch Control circuitry	Build in Touch Panel Module
Control Type	USB
Touch Control Driver	eGalax Touch Driver or Windows build in touch driver

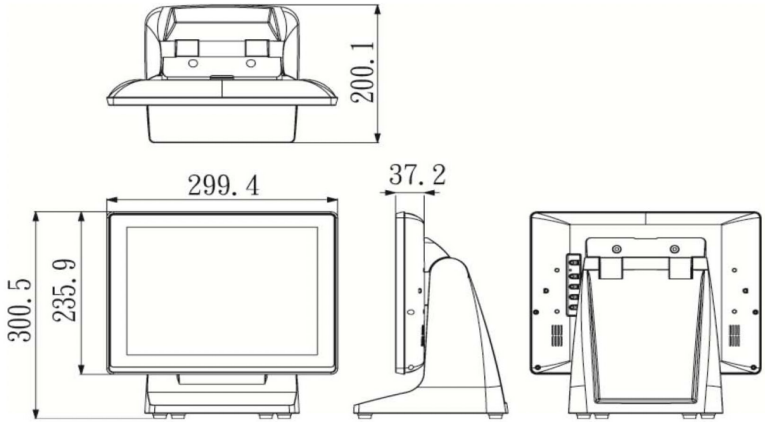


► Touch Driver installation:

Touch Driver installation:

- (1) If you are using Windows XP Embedded OS, please visit EETI website to download driver:
http://www.eeti.com.tw/drivers_Win.html
- (2) If your system Windows version is Windows 7 or later, we suggest you do not install this driver. There is a HID touch digitizer build-in driver in Windows 7, 8, 10.

Chapter 6 - Mechanical dimension



Chapter 7 - FCC Warning Statement

► FCC Class A Warning



Warning

This equipment has been tested and found to comply with the limits for a Class A digital device, pursuant to Part 15 of the FCC Rules. These limits are designed to provide reasonable protection against harmful interference when the equipment is operated in a commercial environment. This equipment generates, uses, and can radiate radio frequency energy and, if not installed and used in accordance with the instruction manual, may cause harmful interference to radio communications. Operation of this equipment in a residential area is likely to cause harmful interference in which case the user will be required to correct the interference at his own expense.

CISPR 22 Class A Warning



Warning

This is a class A product. In a domestic environment this product may cause radio interference in which case the user may be required to take adequate measures.

Chapter 8 - Product General Specification

Model	IDP080P-MS
Cabinet color	Black
Display size	8"
Active Area	162mm x 121.5mm
Optimal Resolution	800 * 600 / 1024*768
Color Arrangement	RGB-stripe
Brightness	250 cd/m ² (typ)
Contrast Ratio	500:1
Response Time	30 ms (typ.)
Viewing Angle	V: 60 /65 , H: 70 /70
Input Video Format	VGA
Input Video signal connector	15pin VGA D-sub
Input Frequency	H: 30 - 60 kHz ; V: 55-76Hz
Power supply Adaptor	Wall mount type power adaptor Input: 100~240AC 0.5A, Output: 12Vdc 1.5A
Power consumption	<18W
Input Frequency	H: 30 - 82 kHz ; V: 55-76Hz
DC input	12Vdc 1.5A
DC Jack	Center pin diameter = 2.0mm
Temperature	Operating : 0°C~40°C Storage : -10°C ~50°C
Humidity	Operating : 20%~80% Storage : 10%~90%
Approvals	FCC, CE B, VCCI
Wall Mount	VESA 75 * 75 mm
Touch Panel Type	Projective Capacitive Touch
Input Mode	Stylus or Finger
Touch Control type	USB
Touch Control Driver	eGalax Touch

- ✓ Product specification to be changed without prior notice
- ✓ Made In Taiwan