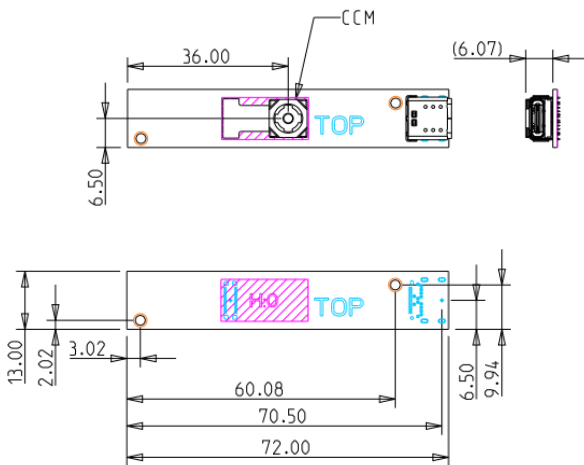
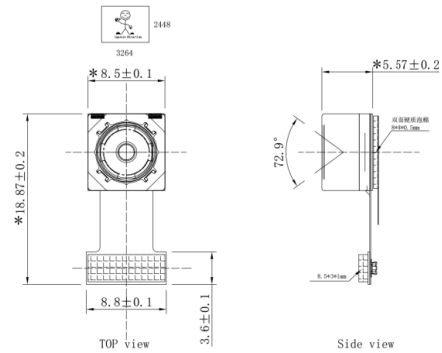
**Features**

- Max. Resolution: 3264 x 2448 (8MP) @ 15fps
- Lens H FOV:73°
- Auto Focus, LED flashing
- OS Support: Windows, Linux, Android, MacOS (UVC)
- Complies with CE/FCC Class A

Mechanical Drawing**Mechanical Drawing****Lens Specification**

Items	Specification
F no.	2.0
Focus range	10cm ~ inf

Headquarters (Taiwan)

5F., No. 237, Sec. 1, Datong Rd.,
Xizhi Dist., New Taipei City 221,
Taiwan
Tel: +886-2-7703-3000
Email: sales@innodisk.com

Branch Offices:**USA**

usasales@innodisk.com
+1-510-770-9421

Europe

esusales@innodisk.com
+31-40-3045-400

Japan

jpsales@innodisk.com
+81-3-6667-0161

China

sales_cn@innodisk.com
+86-755-2167-3689

www.innodisk.com

© 2019 Innodisk Corporation.
All right reserved. Specifications
are subject to change without
prior notice.

November 7, 2022

Specifications

Max. Resolution	3264 x 2448 (8MP) @ 15fps
Output I/F	USB 3.0 Type-C
Power Consumption	Approximate 1W
Dimension (LxWxH)	72 x 13 x 7mm
Operating Temp.	-30°C ~ +70°C (main chip spec.)
Sensor Size	1/4"
Pixel Size	1.12um
Lens type	Auto focus (M5)
Lens H FOV	73°
OS Support	Windows, Linux, Android, MacOS

Order information**EV8S-RMR1**

USB Auto Focus Camera Module