

# W24L100-RKS1ML

## 24" Rack Mount Protective Glass Defence Display



### KEY FEATURES

- Compliant MIL-STD 810G/ MIL-STD 461E, Rack Mount Defence Display
- Rack mount mechanical design, supports VESA mount
- High image quality, 1920 x 1200 pixels resolution
- AR protection glass
- Military-grade power connector (MIL-DTL-38999/1)
- AC 100~240V, Universal,  $\pm 10\%$ ; DC 9~36V,  $\pm 10\%$  (Optional)
- Resistive Touch (Optional)
- Build-in Light Sensor for Auto Brightness Control



### SPECIFICATIONS

Display			
Resolution	1920x1200	Size	24 inches
Contrast Ratio	1000:1	Panel Brightness	300 nits
Display Color	16.7M Colors	View Angles	89,89,89,89
Active Area	518.4 x 324.0 mm	Touch / Glass	AR Protection Glass EMI ITO Glass (Optional) 5-wire Resistive Touch (Optional) 5-wire Resistive Touch with EMI Mesh Filter (Optional)
Environment			
Operating Humidity	10% to 95% RH	Operating Temperature	0~50°C
Storage Temperature	-10°C~60°C		
Compliance			
MIL-STD 461E/F	RE101 / RE102 CE101 / CE102 with EMI Glass / Touch(Optional) RS101 / RS 103 CS101 / CS 106 / CS 109 / CS 114 / CS 115 / CS 116	MIL-STD 810F/G	Vibration Method 514.5 Humidity Method 507.4 Transit Drop Method 516.5
Certification			
Certification	CE, FCC		
IO Ports			
Video	1 x 15 Pin D-Sub 5 x BNC 1 x DVI-D		
Mechanical			
Dimension	609.5 x 399.3 x 76.2 mm	Mounting	VESA Mount/ Panel Mount
Enclosure	Metal Housing with Aluminum Bezel	Cooling System	Fanless Design
Power			
Power Rating	AC 100~240V, Universal, $\pm 10\%$ DC 9~36V, $\pm 10\%$ (Optional)		

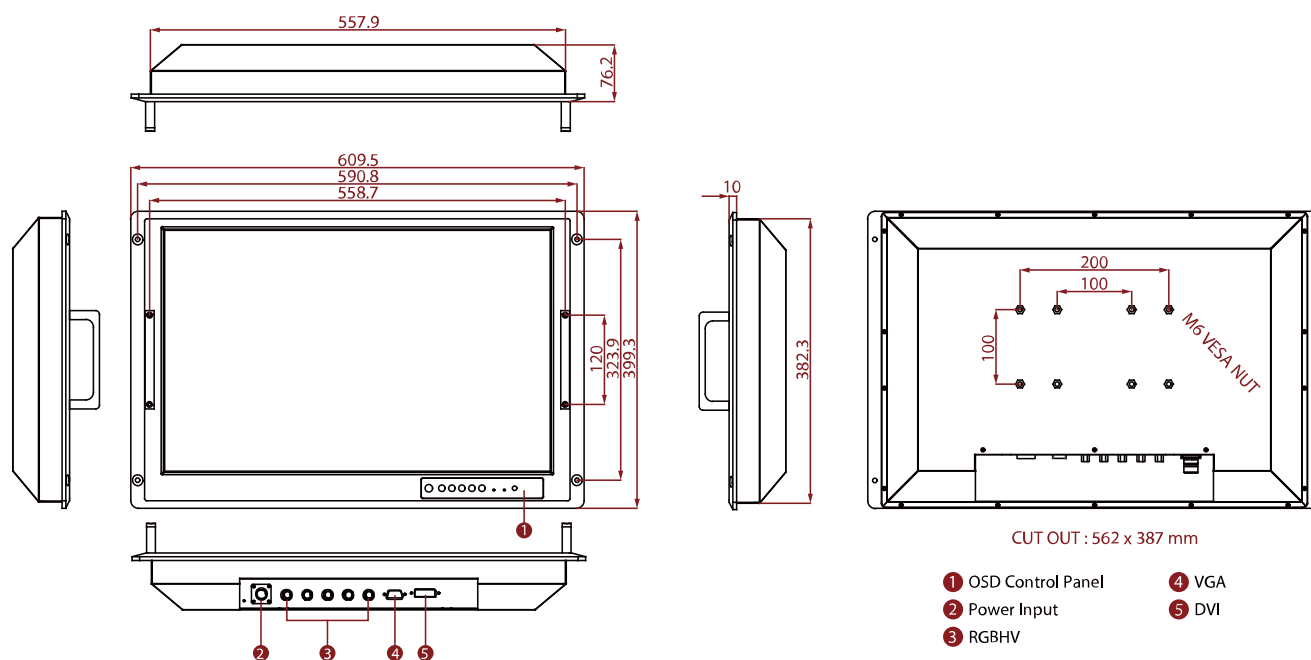
## Accessory

<b>Accessory</b>	1 x User Manual(Hardcopy) 1 x Power Cord MIL-DTL-38999/1 1 x VGA Cable 1 x DVI Cable 1 x VGA to 5 BNC Shielding Cable
------------------	---

## Control

<b>Button</b>	7 key: Power Decrease Increase Exit/ Auto Menu Day/ Night Lock/ Unlock
---------------	---

## DIMENSIONS UNIT:MM



## NOTE

1. This is a simplified drawing and some components are not marked in detail.
2. If you require an external test report, Winmate will charge an NRE fee.
3. Please contact our sales representative if you need further product information.
4. All specifications are subject to change without prior notice.
5. The product shown in this datasheet is a standard model. For diagrams that contain customized or optional I/O, please contact the Winmate Sales Team for more information.