

Desk Docking DD-M101

Quick Start Guide

v1.4

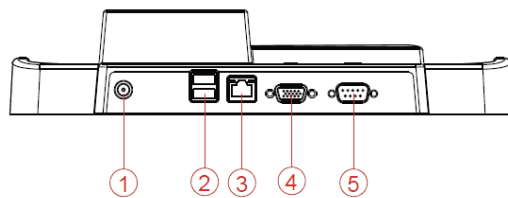
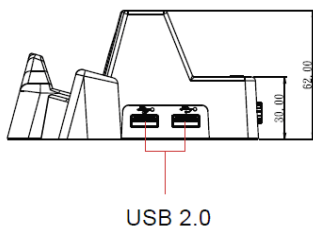
Document Part No. 9152111K100K

Package Content

- Desk Docking x 1
- Holding Plate x 1 (Optional)
- Quick Start Guide x 1
- Docking Driver CD x 1

Product Specifications

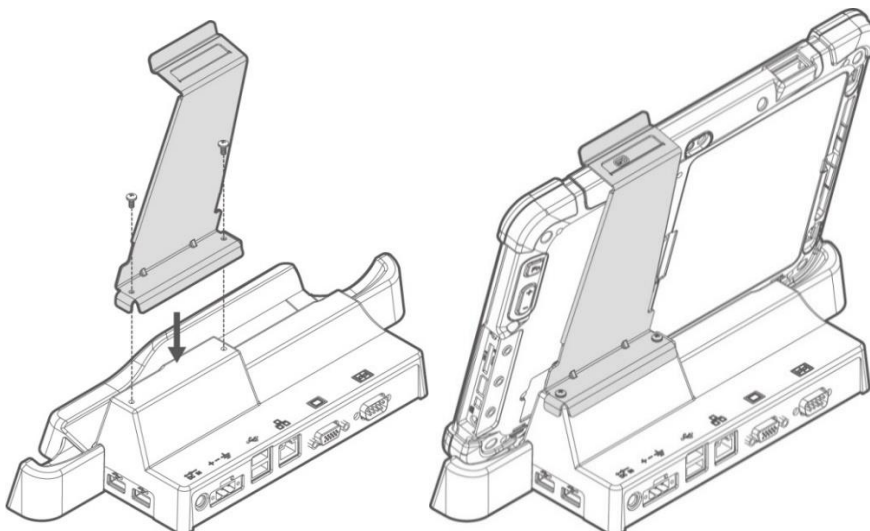
The Desk Docking DD-M101 consists of desk dock base and holding plate for tablet.



1. 19 V DC IN
2. USB 2.0 x 2 (with 5V/ 1A)
3. LAN (10/ 100)
4. VGA output
5. RS232 (with 12V/ 1A)

How to assemble the holding plate and docking base:

1. First, install the plate on the docking, and fasten the screws.
2. Put the Tablet on the docking, and make sure the device is firmly fixed by the plate.



First Time Operation

Driver installation

Before using the Tablet with the desk docking, please install the driver for the desk docking first. The desk docking driver is not pre-installed on the Tablet. For a detail installation guide, please refer to the CD that is included with the package or visit Winmate Download Center to download the latest driver: <https://www.winmate.com/>

How to Use

Insert Tablet

1. Align the docking alignment fingers on the bottom of the desk docking mount to the bottom of the Tablet where the two alignment holes are, then lower the Tablet in to position.
2. Make sure the Tablet is aligned with the desk docking. Reposition if the Tablet still moves around.

Remove Tablet

Remove the Tablet by lifting the tablet straight up from the desk docking.

Powering the Desk Docking

The desk docking's input/output expansion functions will only work if power is connected. Use the power adapter included with the Tablet.

Note: The desk docking does not come with a separate power adapter.

External Display Mode

Display Mode	Description
Mirror Mode (Default)	Under mirror mode, users can easily operate with touch screen. Note: Due to Intel Graphic driver limitation, If user use it with Win 10 CBB OS on M101B series tablet, there is no mirror mode option. http://support.displaylink.com/knowledgebase/articles/938634-no-option-to-duplicate-monitors-on-windows-10-anni
Extend Mode	It is recommended operating the tablet with keyboard / mouse under this mode. If touch function is desired, please use the mirror mode.

Note: Display settings are saved automatically for next time.

Note: Under Android, the "Connect-to-PC" option needs to be turned off in order to make Docking I/O work.

