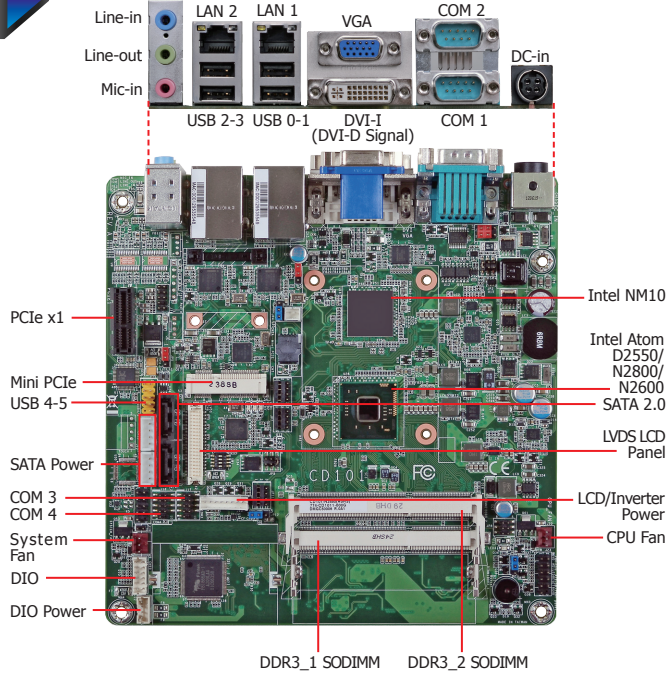


# CD101-N

Atom

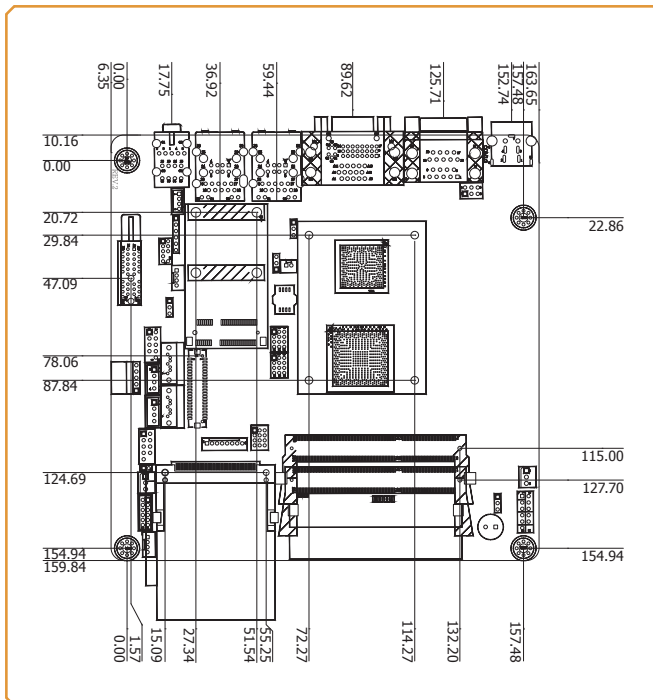


## Features

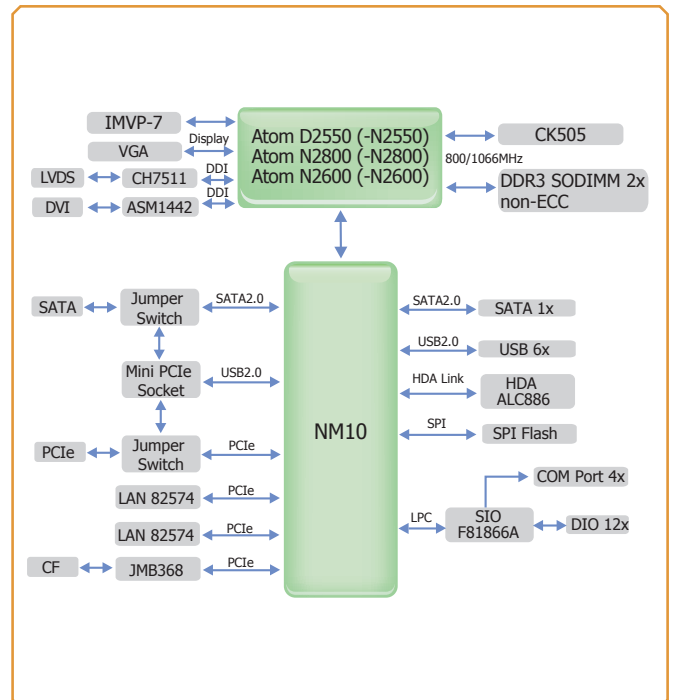
MEMORY	2 DDR3 SODIMM up to 4GB (-N2550/-N2800) 1 DDR3 SODIMM up to 2GB (-N2600)
EXPANSION	1 PCIe x1 1 Mini PCIe
DISPLAY OUTPUTS	1 DVI, 1 VGA, 1 LVDS
LAN	2 LAN
COM	4 COM
USB	6 USB 2.0
STORAGE	2 SATA 2.0, 1 CF (optional)
DIO	12-bit DIO



## Mechanical Drawing



## Block Diagram



# CD101-N

► **Specifications** \* Optional and is not supported in standard model. Please contact your sales representative for more information.

**PROCESSOR**

- CD101-N2550:
  - Intel® Atom™ D2550, 1.86GHz, 2x 512K L2, 10W TDP, dual-core
- CD101-N2800:
  - Intel® Atom™ N2800, 1.86GHz, 2x 512K L2, 6.5W TDP, dual-core
- CD101-N2600:
  - Intel® Atom™ N2600, 1.6GHz, 2x 512K L2, 3.5W TDP, dual-core

**CHIPSET**

- Intel® NM10 Express chipset

**SYSTEM MEMORY**

- Supports DDR3 1066MHz (CD101-N2550/CD101-N2800)  
Supports DDR3 800MHz (CD101-N2600)
- Supports single channel memory interface
- Two 204-pin DDR3 SODIMM sockets support up to 4GB system memory (CD101-N2550/CD101-N2800)  
One 204-pin DDR3 SODIMM socket supports up to 2GB system memory (CD101-N2600)
- DRAM device technologies: 1Gb, 2Gb and 4Gb DDR3 DRAM technologies are supported for x8 and x16 devices, unbuffered, non-ECC

**EXPANSION SLOTS**

- 1 PCIe x1 slot
- 1 Mini PCIe slot
  - Supports USB and PCIe signals
  - Supports half size and/or full size Mini PCIe card
- 1 CompactFlash socket\*

**ONBOARD GRAPHICS FEATURES**

- Intel® GMA 3650 (CD101-N2550/CD101-N2800)  
Intel® GMA 3600 (CD101-N2600)
- Supports DVI (DVI-D signal), VGA, and LVDS interfaces
- LVDS: 24-bit, dual channel, resolution up to 1920x1200 @ 60Hz
- DVI, VGA: resolution up to 1920x1200 @ 60Hz
- Supports Hardware H.264/AVC, MPEG-2 video decoder, VC-1, DirectX 9, 1080p decoder

**ONBOARD AUDIO FEATURES**

- Realtek ALC886 5.1-channel High Definition Audio

**ONBOARD LAN FEATURES**

- 2 Intel® 82574L Gigabit Ethernet Controllers; or 2 Intel® I210 PCI Express Gigabit Ethernet controllers\*
- Integrated 10/100/1000 transceiver
- Fully compliant with IEEE 802.3, IEEE 802.3u, IEEE 802.3ab

**SERIAL ATA (SATA) INTERFACE**

- Supports 2 Serial ATA interfaces
- SATA 2.0 with data transfer rate up to 3Gb/s
- Integrated Advanced Host Controller Interface (AHCI) controller

**REAR PANEL I/O PORTS**

- 1 4-pin 9~24V DC-in jack (default) or 4-pin power connector\*
- 1 DVI-I port (DVI-D signal)
- 1 VGA port
- 2 DB-9 serial ports
  - 1 RS232/422/485 (RS232 and/or Power)
  - 1 RS232
- 2 LAN ports
- 4 USB 2.0/1.1 ports
- Mic-in, Line-in, Line-out jacks

**I/O CONNECTORS**

- 1 connector for 2 external USB 2.0/1.1 ports
- 2 connectors for 2 external RS232 serial ports (2.0mm pitch)
- 1 LVDS LCD panel connector
- 1 LCD/inverter power connector
- 1 12-bit Digital I/O connector
- 1 Digital I/O power connector
- 1 front audio connector for line-out and mic-in jacks
- 2 SATA 2.0 ports
- 2 SATA power connectors
- 1 touch panel connector\*
- 1 chassis intrusion connector
- 1 front panel connector
- 2 fan connectors

**BIOS**

- AMI BIOS
  - 16Mbit SPI BIOS

**ENERGY EFFICIENT DESIGN**

- ACPI v3.0 specification
- System Power Management
- Wake-On-Events include:
  - Wake-On-USB KB/Mouse
  - Wake-On-LAN
  - RTC timer to power-on the system
- AC power failure recovery

**DAMAGE FREE INTELLIGENCE**

- Monitors CPU/system temperature and overheat alarm
- Monitors VCore/VGFX/1.05V/3.3V/5VSB/3VSB/VBAT voltages and failure alarm
- Monitors CPU/system fan speed and failure alarm
- Read back capability that displays temperature, voltage and fan speed
- Watchdog timer function
  - Watchdog timeout programmable via software from 1 to 255 seconds

**POWER CONSUMPTION**

- 21.6W with D2550 at 1.86GHz and 2x 2GB DDR3 SODIMM
- 19.104W with N2800 at 1.86GHz and 2x 2GB DDR3 SODIMM
- 16.92W with N2600 at 1.60GHz and 1x 2GB DDR3 SODIMM

**OS SUPPORT**

- Windows XP Professional x86 & SP3 (32-bit)
- Windows 7 Ultimate x86 & SP1 (32-bit)

**TEMPERATURE**

- Operating: 0°C to 60°C
- Storage: -20°C to 85°C

**HUMIDITY**

- 10% to 90%

**DIMENSIONS**

- Mini-ITX form factor
- 170mm (6.7") x 170mm (6.7")

**CERTIFICATION**

- CE
- FCC Class B
- RoHS

► **Packing List**

• 1 CD101-N motherboard
• 1 Serial ATA data with power cable: A81-002013-005G
• 1 I/O shield: A49-CD1011-001G
• 1 DVD
• 1 Heat sink with fan: A71-110012-000G (CD101-N2550)
• 1 Heat sink: A71-010012-000G (CD101-N2800/N2600)

► **Optional Items**

• USB port cable: 332-253010-026G
• COM port cable: A81-015001-001G
• Serial ATA data with power cable: A81-002013-005G
• Power adapter (60W, 12V) : 671-106004-000G