

# F65EAC-IK32

Full IP65 Box IPC, Intel® Core™ i5-7200U



## KEY FEATURES

- Aluminum Profile with Fin, Full IP65 Box IPC
- IP65 Ultra compact size with Fanless Design
- Support M.2 SSD
- One M.2 socket expansion
- 9~36V DC with isolation
- 7th Generation (kaby Lake) Intel® Core™ i5-7200U Processor



## SPECIFICATIONS

System Specification			
<b>Processor</b>	Intel Core i5-7200U 2.5GHz (up to 3.1GHz) Intel Core i5-7300U 2.6GHz (up to 3.5GHz) (Optional)	<b>Memory</b>	1 x SO-DIMM, DDR4 2133 MHz, 4GB 8GB (Optional) 16GB (Optional)
<b>Storage</b>	1 x M.2 2242 SSD 128GB M.2 2242 SSD up to 512GB (Optional)	<b>Ethernet controller</b>	2 x Intel® Ethernet Controller
<b>Security</b>	TPM 2.0	<b>Operating System</b>	Windows 10 IoT Enterprise (64 bit) (Optional) Linux Ubuntu 20.04 (Optional)
<b>WLAN</b>	Support (Optional)	<b>BT</b>	Support (Optional)
Mechanical			
<b>Dimension</b>	260.4 x 193 x 50.1 mm(w/o desk mount bracket) 275.4 x 193 x 56.1 mm(w/i desk mount bracket)	<b>Mounting</b>	Desk Mount
<b>Enclosure</b>	Aluminum Housing	<b>Cooling System</b>	Fanless design
Environment			
<b>Operating Humidity</b>	10% to 90% RH, Non-Condensing	<b>Operating Temperature</b>	0°C to 50°C
<b>Storage Temperature</b>	-20°C to 60°C	<b>Shock</b>	15G, 11ms duration
<b>Vibration</b>	5Hz~500Hz / 1Grms / 3 axis	<b>IP rating</b>	IP65
Certification			
<b>Certification</b>	CE, FCC		
IO Ports			
<b>Power Input</b>	1 x M12 waterproof connector for 9~36V DC	<b>USB Port</b>	1 x M12 waterproof connector for 2 x USB2.0 1 x Waterproof USB Type-A Connector with cover
<b>Serial Port</b>	1 x M12 waterproof connector for RS232 2 x M12 waterproof connector for RS232 (Optional)	<b>Video</b>	1x M12 type connector for VGA output 1x M21 type connector for HDMI output (Optional)
<b>Expansion Port</b>	2 x M.2 slot(1 for WiFi, 1 for SSD)	<b>LAN</b>	2 x M12 type connector for Giga LAN
<b>Indicator</b>	1 x LED Indicator for power 1 x LED Indicator for storage 2 x LED Indicator for LAN	<b>DIDO</b>	1x M12 type connector for Digital 4 in/ 4 out (Optional)
Control			
<b>Button</b>	1 x Power Button with LED Indicator		
Accessory			

## Accessory

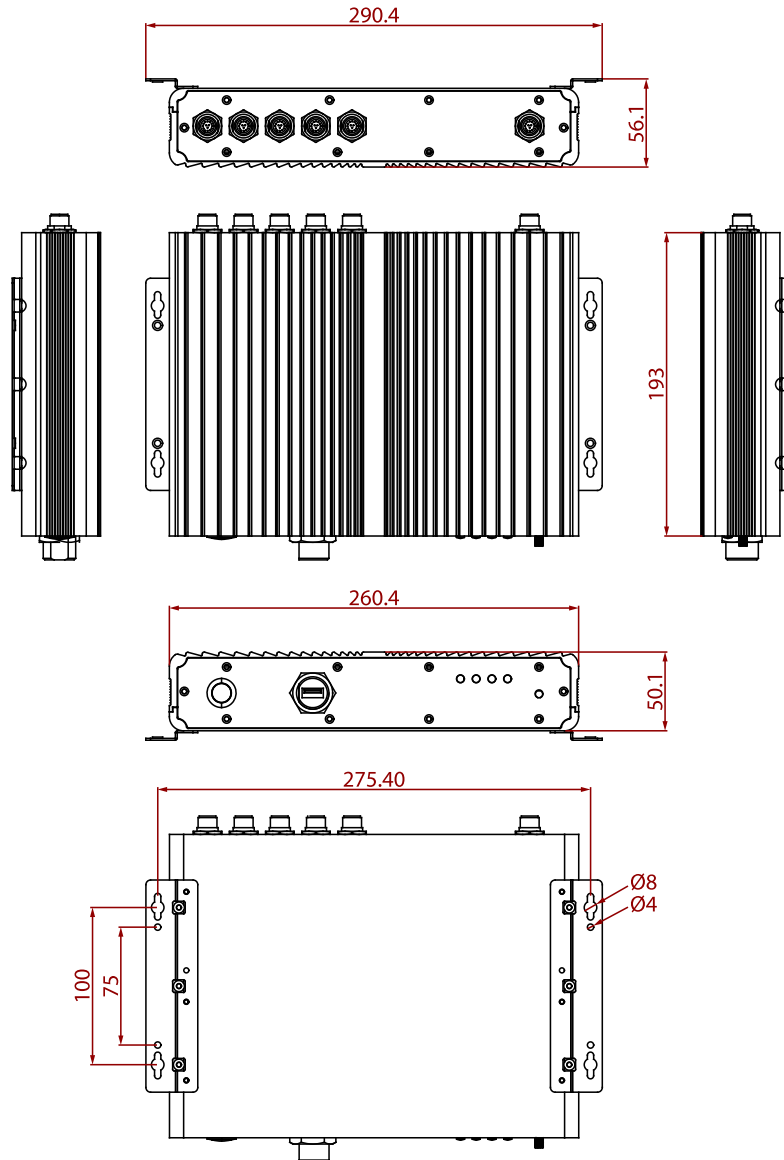
External open wire Power cable with waterproof connector  
External USB cable with waterproof connector  
External COM cable with waterproof connector  
External LAN cable with waterproof connector  
External VGA cable with waterproof connector  
Waterproof caps  
RJ45 female-female converter

## Optional Accessory

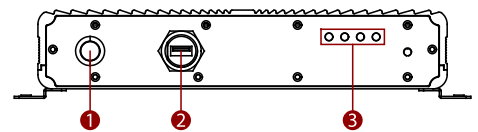
100~240V AC to DC Adapter with waterproof connector (Optional)  
Power Cord (Optional)  
External HDMI cable with waterproof connector (Optional)  
External DIDO cable with waterproof connector (Optional)

## DIMENSIONS

UNIT:MM

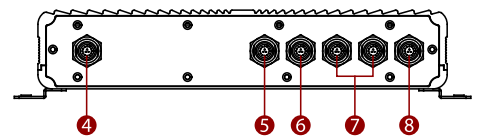


### Front side I/O



- 1 Power Switch
- 2 USB Type-A
- 3 LED Indicator

### Rear side I/O



- 4 Power Input
- 5 VGA
- 6 USB
- 7 LAN
- 8 COM

## NOTE

1. This is a simplified drawing and some components are not marked in detail.
2. Please contact our sales representative if you need further product information.
3. A customized housing is required if you need additional I/O connectors.
4. To connect Winmate stainless series Panel PC or Display it is required to use an optional two sides waterproof connector.
5. All specifications are subject to change without prior notice.
6. The product shown in this datasheet is a standard model. For diagrams that contain customized or optional I/O, please contact the Winmate Sales Team for more information.