

# W07L100-GSO1HB

## 7" G-WIN GS Series High Brightness Display



### KEY FEATURES

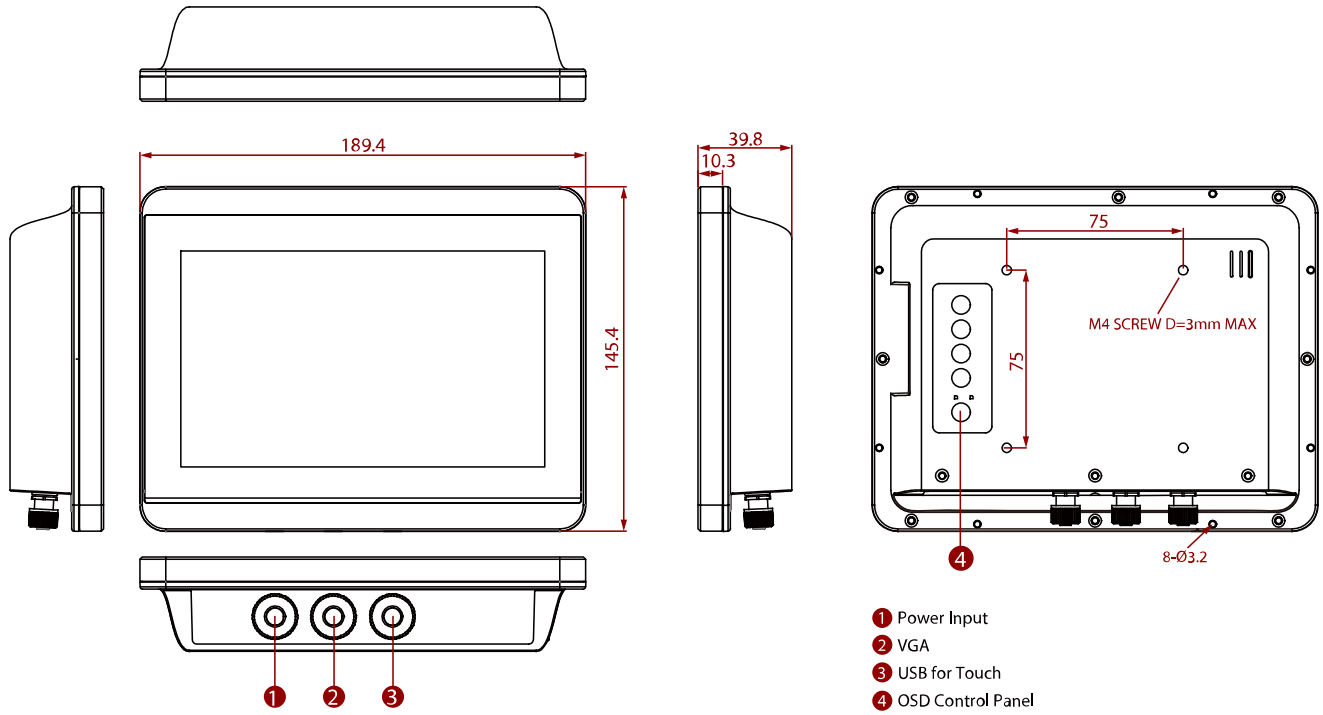
- 7" 1024 x 600 Resolution
- Projected Capacitive Multi-Touch (PCAP)
- Full IP65 Water and Dust Proof
- M12 Waterproof Connectors
- Fully rugged elegant, edge-to-edge design



### SPECIFICATIONS

Display	
<b>Resolution</b>	1024x600
<b>Contrast Ratio</b>	700:1
<b>Display Color</b>	16.2M Colors
<b>Active Area</b>	153.6x90 mm
<b>Size</b>	7 inches
<b>Panel Brightness</b>	1000 nits
<b>View Angles</b>	75,75,75,70
<b>Touch / Glass</b>	Projected Capacitive Multi Touch Screen Protection Glass (Optional)
Environment	
<b>Operating Humidity</b>	10% to 95% RH
<b>Storage Temperature</b>	-30°C to 60°C
<b>Vibration</b>	1.48/1.90/2.24 g rms for XYZ/ 5-500Hz
<b>Operating Temperature</b>	-15 °C to 55 °C
<b>Shock</b>	40g for 11ms
<b>IP rating</b>	Full IP65
Certification	
<b>Certification</b>	Compliant with MIL-STD-810F/G for vibration / shock, CE, FCC
IO Ports	
<b>USB Port</b>	1 x USB for Touch Screen
<b>Audio</b>	1 x Speaker
<b>Video</b>	1 x VGA
Mechanical	
<b>Dimension</b>	189.4 x 145.4 x 39.8 mm
<b>Enclosure</b>	Metal Housing with Aluminum Bezel
<b>Mounting</b>	VESA Mount/ Panel Mount
<b>Cooling System</b>	Fanless Design
Accessory	
<b>Accessory</b>	Quick Start Guide(Hardcopy) AC Adapter(For 7" Display only) M12 Power Cable(Not Supplied with 7" Display) VGA Cable USB for Touch Cable I/O Protective Cap x 3
Power	
<b>Power Rating</b>	12V DC (M12 type)
Control	
<b>Button</b>	5 Keys: -, +, Power, Esc, Enter

## DIMENSIONS UNIT:MM



## NOTE

1. This is a simplified drawing and some components are not marked in detail.
2. The product shown in this datasheet is a standard model. For diagrams that contain customized or optional I/O, please contact the Winmate Sales Team for more information.
3. All specifications are subject to change without prior notice.
4. The product shown in this datasheet is a standard model. For diagrams that contain customized or optional I/O, please contact the Winmate Sales Team for more information.