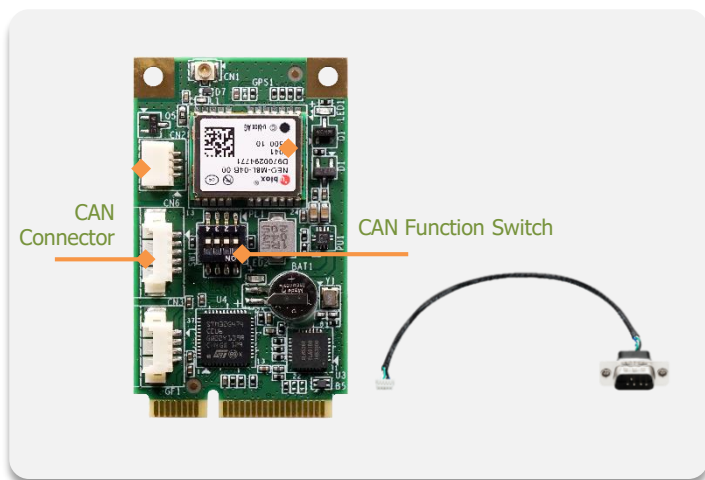


FARO-FD700 (Preliminary)

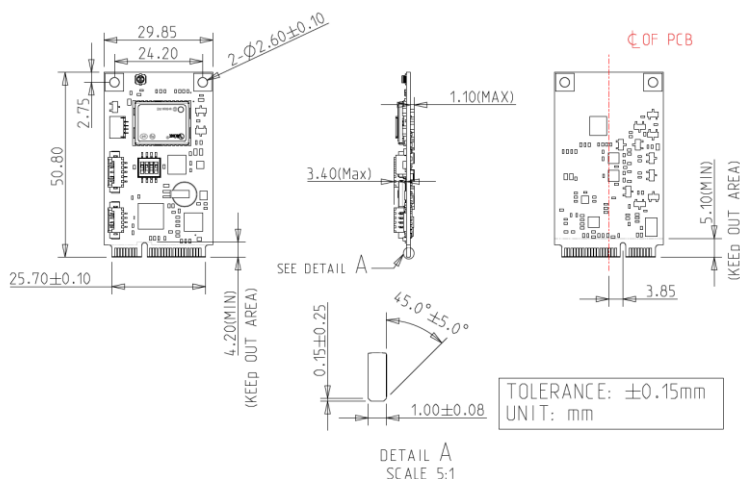
USB to Dual CAN Module

Features

- Full-sized PCI Express Mini Card
- Meet the Requirements of the ISO 11898-1: 2015
- CAN FD baud rate support 2M, 4M, 5M
- CAN bus 2.0B backward compatible with 2.0A
- Support baud rate 125/250/500/800/1000K bps
- Built-in Programmable CAN Identifier Filtering
- Support Linux SocketCAN
- Termination resistor enabled/disabled by switch
- Industrial Temperature (-40°C to +85°C) support
- Industrial design, manufactured in Innodisk Taiwan



Mechanical Drawing



CAN Connector Pin Define	
1	CAN1-L
2	CAN1-H
3	GND
4	CAN2-L
5	CAN2-H

CAN DB9 Connector Pin Define	
1	NC
2	CAN1-L
3	GND
4	CAN2-L
5	CAN2-H
6	NC
7	CAN1-H
8	NC
9	NC

Specifications

Headquarters (Taiwan)

5F., No.237, Sec. 1, Datong Rd.,
Xizhi Dist., New Taipei City 221,
Taiwan

Tel: +886-2-7729-9223

Email: sales@antzer-tech.com

www.antzer-tech.com

© 2022 Antzer Tech.

All right reserved. Specifications
are subject to change without
prior notice.

November 9, 2022

Form-Factor	Full-sized mPCIe
Input I/F	USB 2.0(FS)
Output I/F	CAN FD / CANbus 2.0B
Output Connector	DB-9 x 1
Power Consumption	MAX: 4.3W (3.3V)
Dimension (WxLxH)	30 x 50.9 x 5.58 mm
Temperature	WT: -40°C ~ +85°C
Environment	Vibration: 5G @7~2000Hz, Shock: 50G @ 0.5ms
Notes	Windows: XP(32bit), 7(32/64bit), 8/8.1(32/64bit), 10(32/64bit) Linux: Kernel 4.4 and above (Native CDC-ACM driver), Ubuntu 16.04 LTS, SocketCAN, 32/64bit

Order information

FARO-FD700

USB to dual CAN FD Module