

R15IW3S-SPC369-P1

15" Intel® Core™ i5-8265U IP69K Stainless P Series Panel PC



KEY FEATURES

- Intel® Core™ i5-8265U 1.6GHz
- Fanless cooling system
- SUS316 / AISI 316 stainless steel for food and chemical industries
- Full IP69K waterproof enclosure
- A true flat, easy-to-clean front surface with edge-to-edge design
- Waterproof sealed conduit pipe for cable protection
- Support VESA mount, and optional Yoke mount stand
- Support Glove/ Rain mode
- Optical bonding (optional)

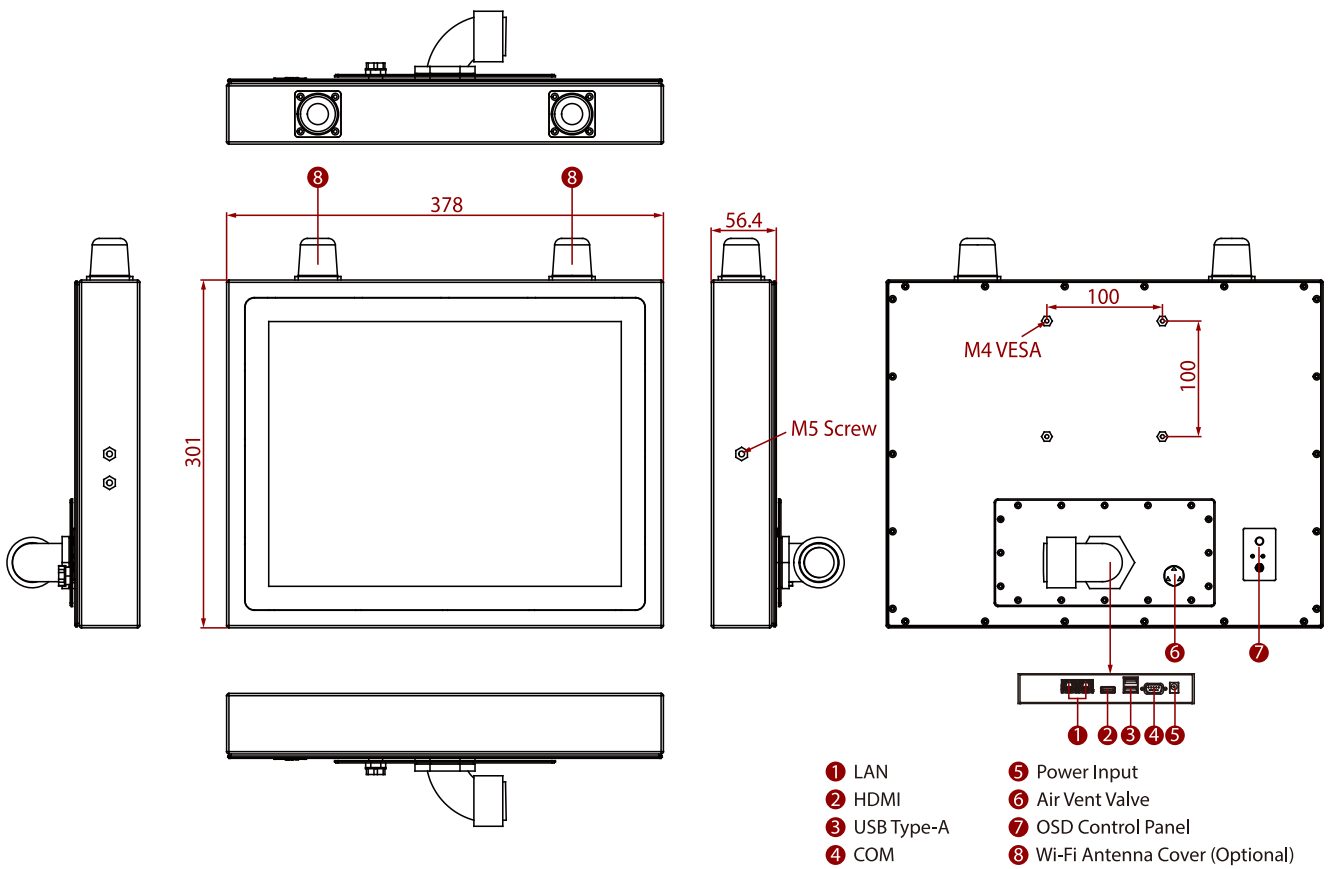


SPECIFICATIONS

Display			
Resolution	1024x768	Size	15 inches
Contrast Ratio	2000:1	Panel Brightness	300 nits
View Angles	88,88,88,88	Active Area	304.1x228.1 mm
Touch / Glass	Projected Capacitive Multi Touch Screen		
System Specification			
WLAN	Support (Optional)	BT	Support (Optional)
Processor	Intel® Core™ i5 -8265U (6M Cache, 1.6GHz up to 3.9 GHz)	Memory	1 x SO-DIMM, DDR4 2400 MHz, 4GB 8GB (Optional) 16GB (Optional) 32GB (Optional)
Storage	1 x M.2 2242 B-key SSD 128GB M.2 2242 B-key SSD up to 512GB (Optional) M.2 2280 M-Key NVME SSD, up to 4TB (Optional)	Ethernet controller	Intel® Ethernet Controller I210-AT + Intel® Ethernet Connection I219-LM
Security	TPM 2.0	Operating System	Windows 10 IoT Enterprise (Optional) Linux Ubuntu 18.04 (Optional) Linux Ubuntu 20.04 (Optional)
Mechanical			
Dimension	378 x 301 x 56.2 mm	Mounting	VESA Mount Yoke Mount
Enclosure	Stainless Housing	Cooling System	Fanless design
Environment			
Operating Humidity	10% to 90% (non-condensing)	Operating Temperature	0~45°C
Storage Temperature	-20~60°C	IP rating	IP69K
Certification			
Certification	CE, FCC		
IO Ports			
USB Port	2 x USB 3.0	Serial Port	1 x RS232/422/485 (Default RS232) 1 x RS232 (Optional)
Video	1 x HDMI	LAN	2 x RJ-45

Control	
Button	1 x Power Button
Accessory	
Accessory	1 x Waterproof Conduit 1.5m 1 x Waterproof Conduit 0.3m 2 x Elbow for connect the conduit 1 x AC to DC power adapter with power cord 1 x D-sub9(male) to RJ45 adapter 1 x D-sub9(female) to RJ45 adapter 1 x External RJ45 male to male cable Driver CD & Manual VESA screws
Optional Accessory	1 x Open wire cable for phoenix connector (Optional) Yoke mount stand kit (Optional)
Power	
Power Rating	12V DC input

DIMENSIONS UNIT:MM



NOTE

1. The yoke mount stand kit is an optional accessory.
2. Wi-Fi antenna is an optional feature.
3. The product shown in this datasheet is a standard model. For diagrams that contain customized or optional I/O, please contact the Winmate Sales Team for more information.